

HONDA

PARTS CATALOG

CB400F

HC 41606

P8143

AMERICAN HONDA MOTOR CO., INC.
100 WEST ALONDRA BOULEVARD, GARDENA, CALIFORNIA

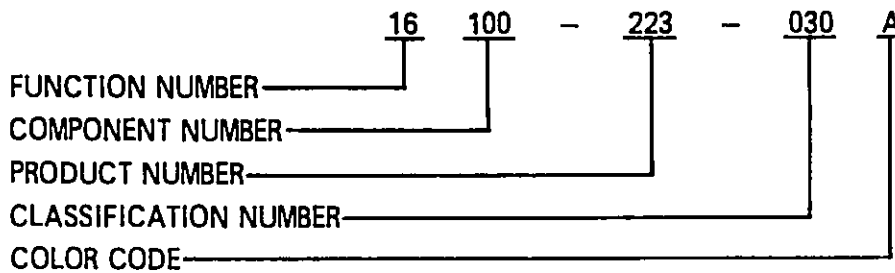
1st EDITION

© MAY, 1975

INSTRUCTION FOR USE OF PARTS CATALOG

PART NUMBERS

The following diagram defines the figures used in the new HONDA PART NUMBER SYSTEM.



When placing a parts order with AMERICAN HONDA, be sure to use the HONDA CODE (H/C) in conjunction with the PART NUMBER.

The HONDA CODE for each item shown will be listed directly to the left of the PART NUMBER. Those part numbers without HONDA CODE are not available.

ISO THREADED PARTS

Nominal Dia. (Size of Bolt or Nut)	Width Across Flats (Wrench Size)	
	Present J.I.S.	Modified J.I.S. (I.S.O.)
3 mm	6 mm	5.5 mm
4 mm	8 mm	7 mm
5 mm	9 mm	8 mm
6 mm	10 mm	10 mm
8 mm	14 mm	12 mm
10 mm	17 mm	14 mm
12 mm	19 mm	17 mm
14 mm	21 mm	19 mm
16 mm	23 mm	22 mm
18 mm	26 mm	24 mm
20 mm	29 mm	27 mm

New wrenches in the 5.5 mm, 7 mm, 12 mm, 22 mm, 24 mm and 27 mm sizes will be required for the modified bolts and nuts. All other sizes are currently in use.

This change in hex size affects only the wrench sizes; interchangeability of bolts and nuts is not affected.

Change in Thread Pitch – The standard thread pitches for all bolts, nuts, and screws in the 3 mm, 4 mm, 5 mm and 12 mm sizes are changed as indicated below:

Nominal Dia.	Thread Pitch	
	Present J.I.S.	Modified J.I.S. (I.S.O.)
3 mm	0.6	0.5
4 mm	0.75	0.7
5 mm	0.9	0.8
12 mm	1.5	1.25

These changes will affect the interchangeability of threaded parts in these sizes. Care must be taken to use the correct pitch to avoid stripping.

These changes will also require new taps and dies.

To help avoid confusion in the 3 mm, 4 mm, 5 mm and 12 mm size, wherein the thread pitch has been changed, the modified J.I.S. (I.S.O.) threaded parts used by Honda will be marked such that they can be readily identified. The marks used are as follows:

<u>PART TYPE</u>	<u>DESCRIPTION OF MARKING</u>
STD. HEX BOLT	A number, indicating the strength of the bolt, will be embossed on the top of the bolt head. This mark will appear on modified J.I.S. (I.S.O.) bolts of all sizes , but as explained above all sizes except 4 mm, 5 mm, and 12 mm (there are no 3 mm hex bolts) will interchange with the present J.I.S. parts.
SLOTTED HEX BOLT	There will be a hemispherical embossment (bump) on the top of the bolt head in the 4 mm and 5 mm sizes (3 mm and 12 mm slotted hex bolts are not in use).
CAP BOLT	There will be a hemispherical dimple on the side of the bolt head in the 4 mm, 5 mm and 12 mm sizes (3 mm not in use).
STUD BOLT	There will be a hemispherical dimple or embossment on the nut end in the 5 mm and 12 mm sizes (3 mm and 4 mm studs are not in use).
ALL CROSS RECESS SCREWS	There will be a hemispherical embossment on the top of the screw head in the 3 mm, 4 mm and 5 mm sizes (12 mm not used).

ALL NUTS

There will be a hemispherical dimple on **either the top or side** of the nut in all sizes with changed pitch. This will also apply to nuts that are permanently welded to other parts.

All mechanics and parts department personnel should read and understand this change-over, to avoid confusion and damage to threaded parts.

ENGINE AND FRAME SERIAL NUMBERS

The engine and frame numbers should be checked prior to ordering parts for a specific motorcycle. HONDA engine numbers are located on the left portion of the engine and frame numbers on the left side of the frame body.

Parts list serial numbers are coded (E) for ENGINE and (F) for FRAME to assist you in identification.

Modified parts will show ENGINE or FRAME serial number in the remark column. These numbers will designate the start (FROM) and finish (TO) production run for that item listed to its left.

Newly introduced items will be listed from initial part installation serial numbers.

ILLUSTRATIONS

To aid identification of PARTS, (exploded) illustrations are incorporated in this catalogue. Available items in the illustrations are identified by NUMBERS which correspond with the PARTS descriptions on the PARTS list.

A separate PARTS list is provided for each illustration. Reference numbers on the PARTS list duplicate identification numbers on the illustration for assistance in choosing the correct PART. Addition to the numerical reference numbers, we have used numeral-alphabet reference numbers for the convenience of adding new PARTS to the PARTS list.

Find the illustration of PART you require and check the accompanying PARTS list for its HONDA CODE, NEW PART NUMBER, DESCRIPTION, etc.

PARTS RETURN

PARTS may not be returned to AMERICAN HONDA without prior written authorization. Written authorization may be obtained by writing to AMERICAN HONDA MOTOR CO., INC., 100 West Alondra Blvd., Gardena, California 90247. We will correct any error which we were of primary fault. This would cover damaged

PARTS, (not caused in mishandling by the delivery source), wrong parts, incorrect quantities, etc. Advise us of discrepancies within five (5) days of receipt. AMERICAN HONDA is not responsible for PARTS -- returned to us without written authorization.

ADDITIONAL INFORMATION

1. Dimensions of the PARTS in this catalogue are indicated in millimeter units.
2. L or R in the description of a PART stands for the LEFT hand side or the RIGHT hand side, which is decided by the direction of travel of the vehicle.
3. Many standard items, SPARK PLUGS, BOLTS, NUTS, WASHERS, PINS, which are in constant use are sold in multiples of ten and consideration when placing your order is advised.
4. ABBREVIATIONS

ASSY. -- Assembly
COMP. -- Complete

REF. -- Reference
HEX. -- Hexagonal

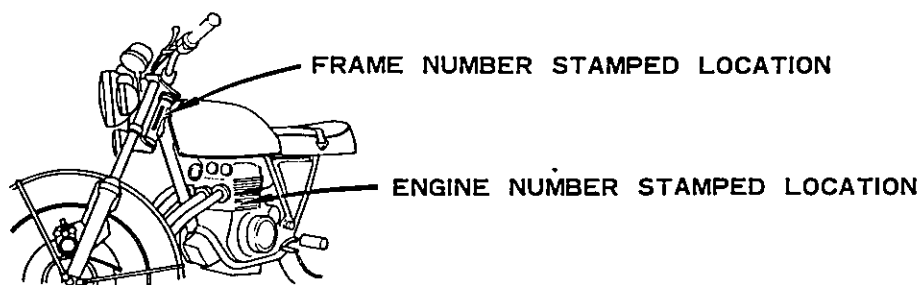
ADJ. -- Adjusting
STD. -- Standard

Applicable Serial Number

If there is a production change to a part, the frame or the engine serial number to which this part become effective will be indicated in the "Remarks" column. However, in case the part is used from the initial serial number, its applicable serial number is not shown. The initial serial number for model as follows.

CB400F ENGINE NO. CB400FE-1000001- FRAME NO. CB400F-1000001-

The serial number is stamped in the following location.



Parts Catalog: H/C 41606 P8143

Owners Manual: H/C 39507 P9189

Shop Manual: H/C 39509 P8601

The changes to the component parts of the carburetor are controlled by the carburetor identification number.

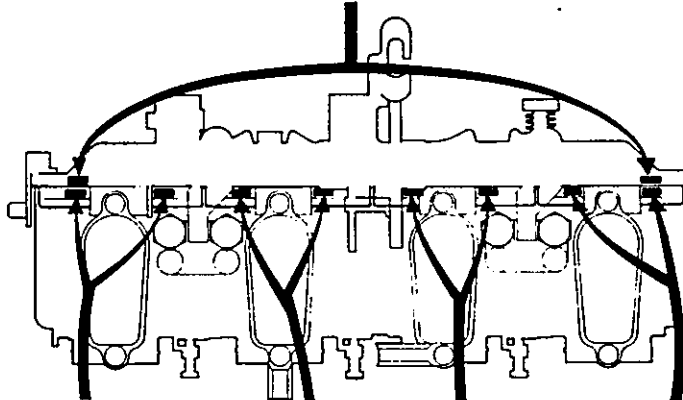
☆The carburetor identification number is stamped as shown in the example below :



↑ This is the applicability control figures.

• The number is located on the carburetor as shown below.

CARBURETOR NUMBER STAMPED LOCATION



CARBURETOR NUMBER STAMPED LOCATION

- *1. Carburetor setting number. The change of the carburetor setting without any parts replacement is indicated by advancing the alphabet in sequence, therefore, disregard this alphabet when determining parts desired.
- *2. Change to the component parts is indicated by advancing the alphabet, in sequence, framed in a square.
- *3. Production lot No. Not related to changes to component part.

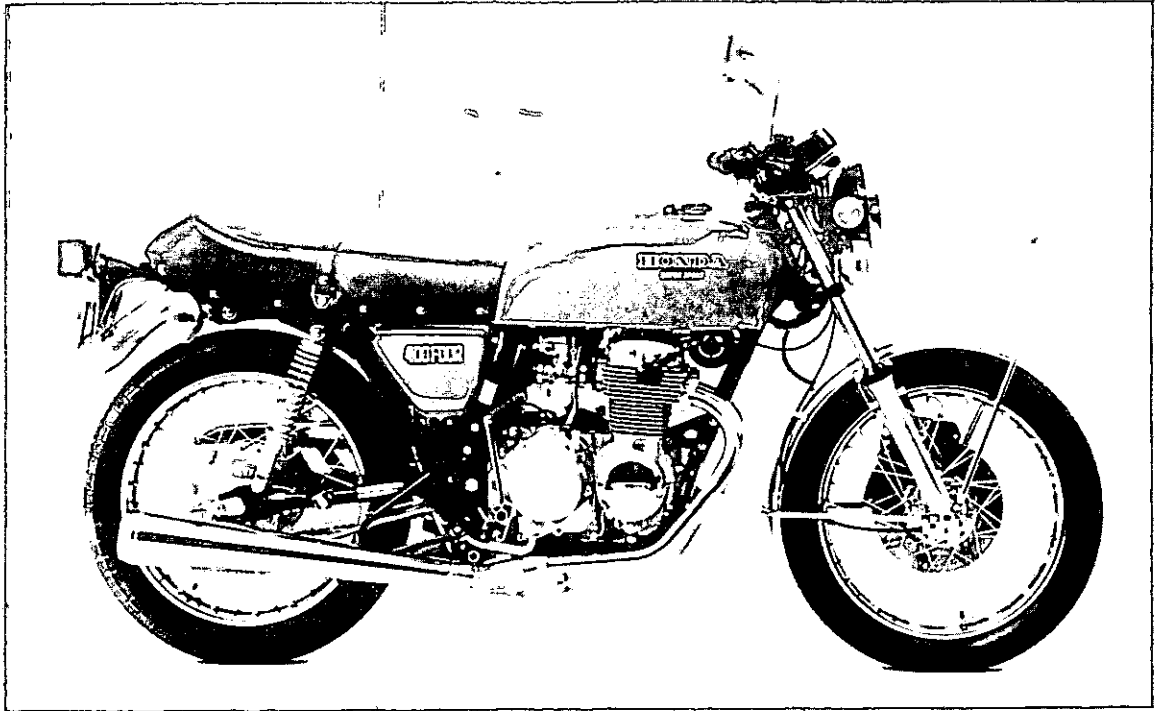
☆Component parts to be ordered are determined by the code entered in the "Remark" column. The code consists of the carburetor setting number without the alphabet plus framed alphabet. Refer to the examples as below.

054[A] ~ Applicable to all 054 carburetors.

054[A] ~ 054[F]..... Applicable only to 054 carburetors designated as from [A] to [F].

054[G] ~ Applicable to 054 carburetors designated as [G] and subsequent.

054[G] ~ 054[J]..... Applicable to 054 carburetors designated as from [G] to [J].



CB400F

COMMONLY REQUIRED REPLACEMENT PARTS

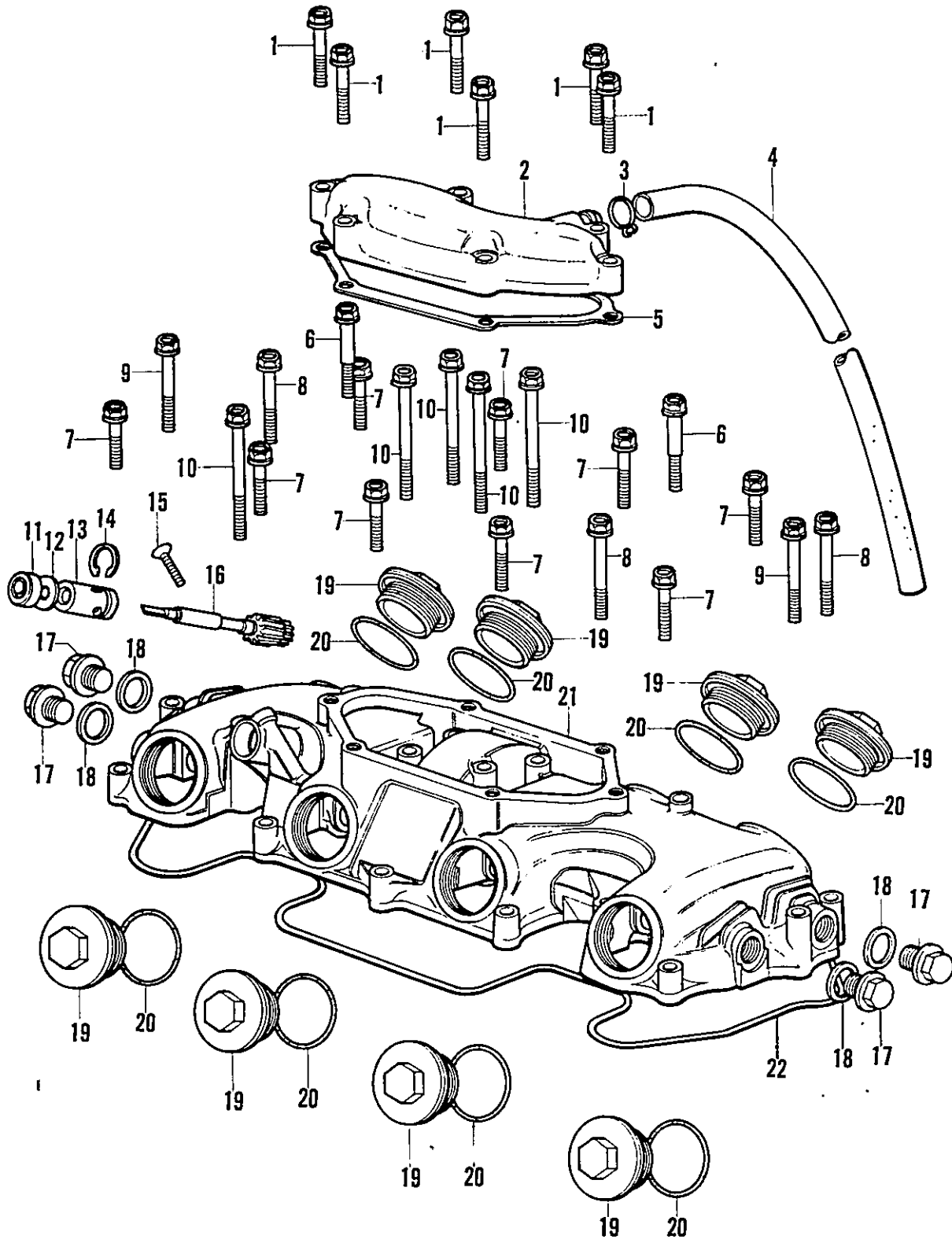
<u>DESCRIPTION</u>	<u>H/C</u>	<u>NPS</u>
AIR CLEANER ELEMENT	30405	17210-333-610
BATTERY	14498	31500-292-670
BRAKE SHOE REAR	38091	43120-369-670
BULB HEADLIGHT	30068	33120-333-670
BULB TAILLIGHT	21081	34906-313-671
BULB TURN IND FRONT	21081	34906-313-671
BULB TURN IND REAR	14531	34905-268-671
CABLE CLUTCH	38600	22870-377-000
CABLE SPEEDOMETER	25557	44830-323-000
CABLE TACHOMETER	29655	37260-333-000
CABLE THROTTLE A	38593	17910-377-000
CABLE THROTTLE B	38594	17920-377-000
CONDENSER	29554	30250-333-004
DISK BRAKE PAD A	36937	45105-323-036
DISK BRAKE PAD B	25620	45106-323-013
DRIVE CHAIN *DID50DS*	30064	40530-333-003
DRIVE CHAIN *RK50S*	29659	40530-333-005
DRIVE CHAIN *DID50DS*	30065	40531-333-003
DRIVE CHAIN *RK50S*	30066	40531-333-005
IGNITION COIL, LEFT	29636	30520-333-013
IGNITION COIL, RIGHT	29635	30510-333-013
LENS, TAILLIGHT	26868	33702-341-671
LENS, TURN INDICATOR	38635	33402-377-671
LEVER, LEFT HANDLE	36533	53190-369-700
LEVER, RIGHT HANDLE	36531	53170-369-003
MIRROR, LEFT	29732	88120-333-004
MIRROR, RIGHT	29731	88100-333-004
OIL FILTER	31456	15412-300-325
PEDAL, GEAR CHANGE	38620	24700-377-000
PEDAL, REAR BRAKE	38656	46500-377-000
PISTON *STD*	38579	13101-377-000
PISTON *0.25*	40104	13102-377-000
PISTON *0.50*	40105	13103-377-000
PISTON *0.75*	40106	13104-377-000
PISTON *1.00*	40107	13105-377-000
PISTON RING SET *STD*	40099	13011-377-003
PISTON RING SET *0.25*	40100	13021-377-003
PISTON RING SET *0.50*	40101	13031-377-003
PISTON RING SET *0.75*	40102	13041-377-003
PISTON RING SET *1.00*	40103	13051-377-003
POINTS 1 & 4	29550	30204-333-004
POINTS 2 & 3	29549	30203-333-004
RUBBER CHANGE PEDAL	25569	95011-40000
RUBBER FRONT STEP	36513	50661-369-000
RUBBER PILLION STEP	38229	50710-377-000
RUBBER LEFT GRIP	25560	95011-14200
RUBBER RIGHT GRIP	25559	95011-14100
SPARK PLUG *D8ES-L*	29013	98069-38710
SPROCKET, DRIVE	29520	23801-333-000
SPROCKET DRIVEN *38T*	40129	41200-367-010
TIRE FRONT	30098	44711-333-003
TIRE REAR	29210	42711-323-013
TUBE FRONT	05313	42712-268-000
TUBE REAR	05313	42712-268-000

TABLE OF CONTENTS

ENGINE SECTION	PAGE
CYLINDER HEAD COVER.....	3
CYLINDER HEAD.....	5
CAMSHAFT ● VALVE.....	7
CYLINDER ● PISTON.....	9
CAM CHAIN ● TENSIONER.....	11
OIL FILTER ● OIL PAN.....	13
POINTS ● SPARK ADVANCER.....	15
RIGHT CRANKCASE COVER ● CLUTCH LEVER.....	17
CLUTCH.....	19
KICK STARTER.....	21
GENERATOR.....	23
LEFT CRANKCASE COVER ● OIL PUMP.....	25
STARTER MOTOR.....	27
CRANKSHAFT.....	29
PRIMARY SHAFT ● CHAIN.....	31
TRANSMISSION.....	33
GEARSHIFT DRUM ● CHANGE PEDAL.....	35
CRANKCASE.....	37
CARBURETOR.....	39

FRAME SECTION	
HANDLE BAR ● STEERING STEM.....	41
MASTER CYLINDER ● FRONT BRAKE HOSE.....	43
FRONT BRAKE CALIPER ● DISK.....	45
FRONT FENDER ● WHEEL.....	47
FRONT CUSHION.....	49
FUEL TANK ● DUAL SEAT.....	51
SIDE COVER ● TOOL TRAY.....	53
AIR CLEANER.....	55
MUFFLER.....	57
REAR BRAKE PEDAL ● PANEL.....	59
REAR WHEEL ● DRIVEN SPROCKET.....	61
REAR CUSHION.....	63
REAR FORK ● CHAIN CASE.....	65
REAR FENDER.....	67
SPEEDOMETER ● TACHOMETER.....	69
HEADLIGHT ● CASE.....	71
TURN INDICATOR.....	73
TAILLIGHT.....	75
BATTERY.....	77
MAIN STAND ● STEP.....	79
WIRE HARNESS ● FRAME.....	81
PART NO. INDEX.....	83

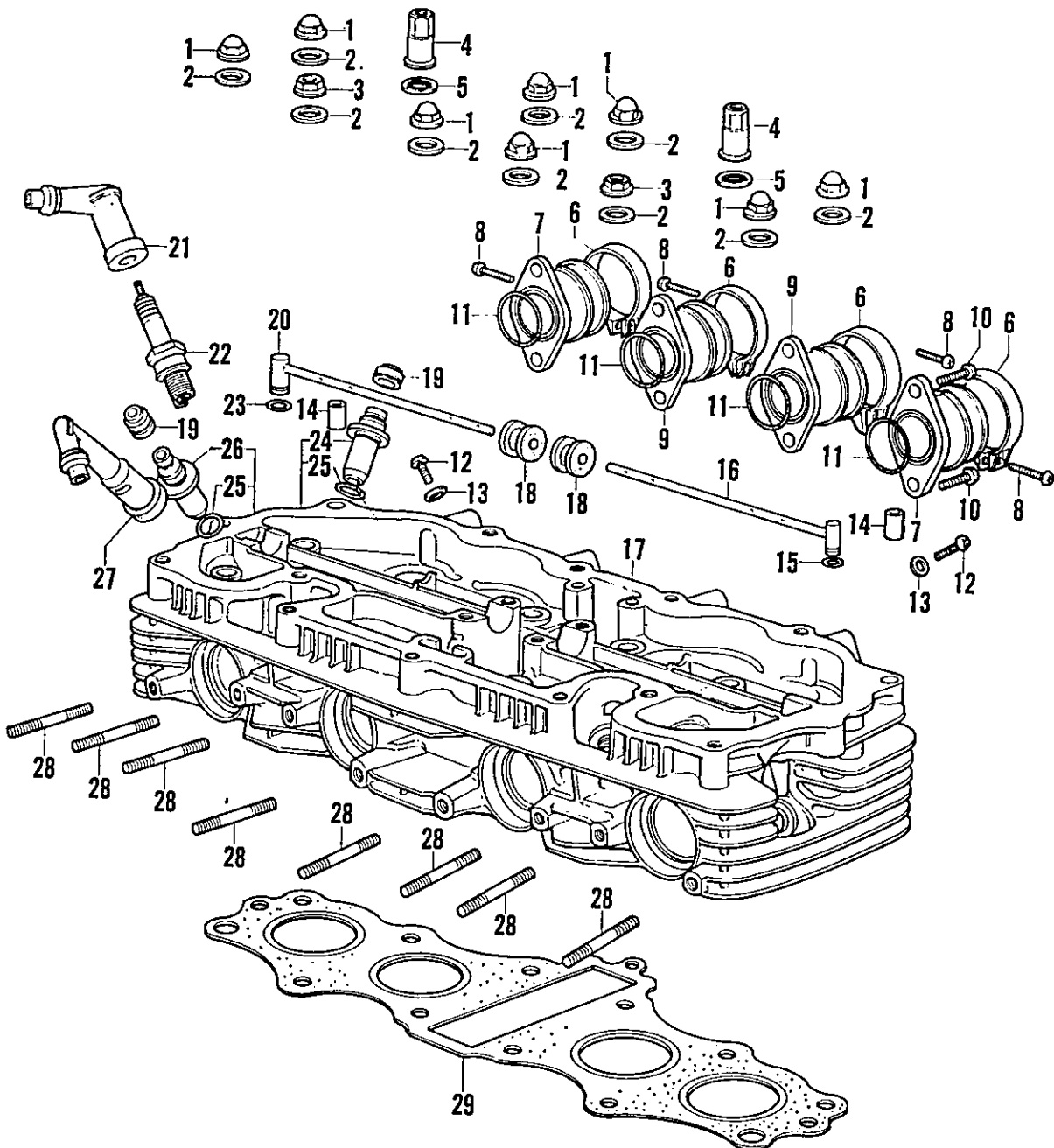
CYLINDER HEAD COVER



CYLINDER HEAD COVER

Ref. No.	H/C	Part Number	Description	CB 400F	Remarks
1	25380	95700-06032	BOLT, FLANGE, 6X32.....	6	
2	28137	12320-333-020	COVER COMP., BREATHER.....	1	
3	14288	15772-292-010	CLIP, BREATHER TUBE.....	1	
4	38582	95005-11470-30	TUBE, 11X470.....	1	
5	28138	12329-333-010	GASKET, BREATHER COVER.....	1	
6	28097	90018-333-000	BOLT, U.B.S., 6X38.....	2	
7	29203	95700-06028	BOLT, FLANGE, 6X28.....	9	
8	25381	95700-06040	BOLT, FLANGE, 6X40.....	3	
9	29433	95700-06035	BOLT, FLANGE, 6X35.....	2	
10	29206	95700-06060	BOLT, FLANGE, 6X60.....	5	
11	24875	91201-324-013	OIL SEAL, 6.5X14.5X7.....	1	
12	24873	90458-324-010	WASHER, THRUST, 6.7MM.....	1	
13	38578	12435-377-000	COLLAR, TACHOMETER GEAR.....	1	
14	29583	90601-333-000	SET RING, 12.7MM.....	1	
15	28139	93700-05020-0A	SCREW, OVAL, 5X20.....	1	
16	28140	12431-333-010	GEAR, TACHOMETER.....	1	
17	29574	90084-333-000	BOLT, SEALING.....	4	
18	17187	94109-14000	WASHER, DRAIN PLUG, 14MM.....	4	
19	18887	12361-300-000	CAP, TAPPET ADJUSTING HOLE.....	8	
20	00106	91302-001-020	O RING, 30.8MM.....	8	
21	28136	12310-333-020	COVER, CYLINDER HEAD.....	1	
22	30111	12391-333-000	GASKET, CYLINDER HEAD COVER.....	1	

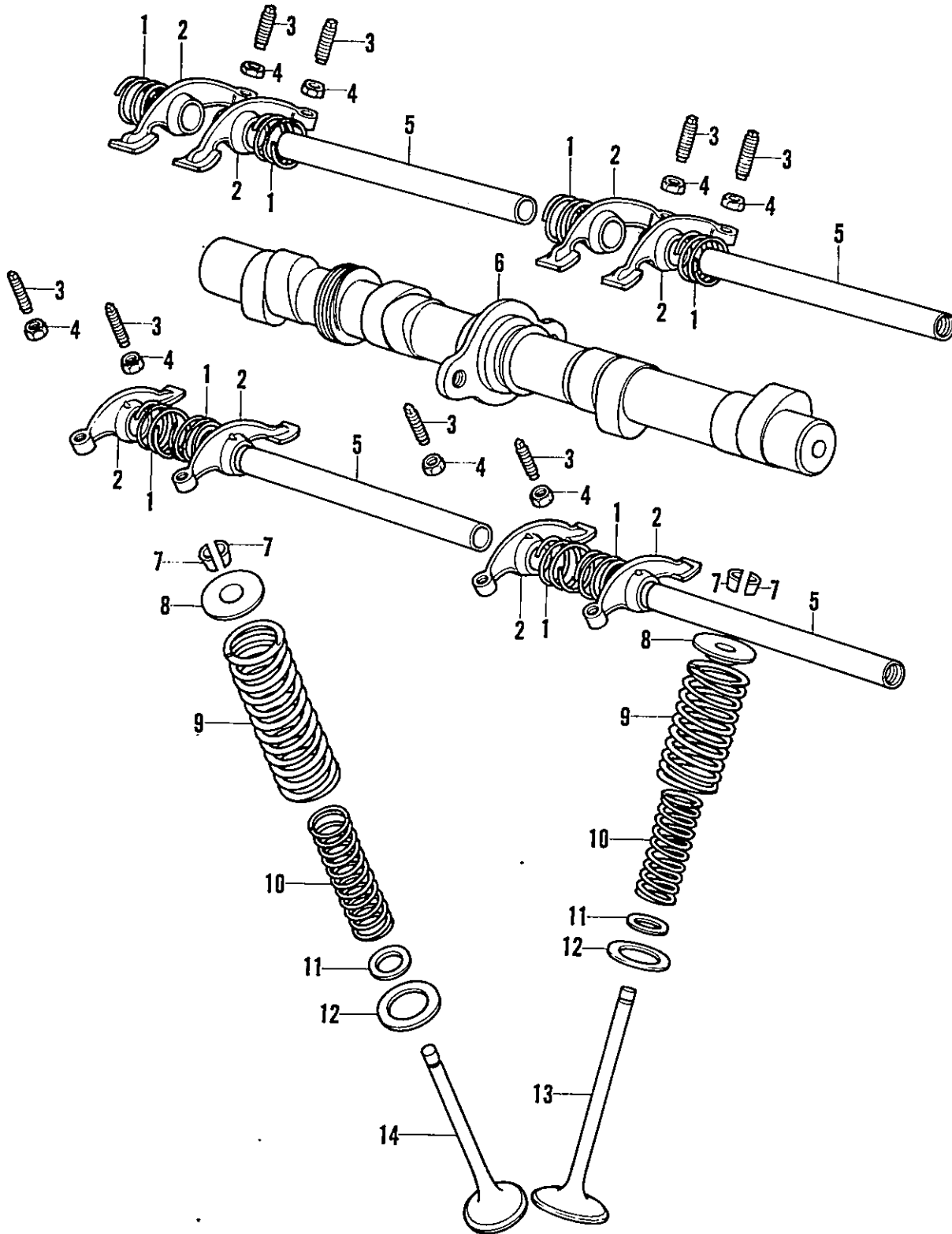
CYLINDER HEAD



CYLINDER HEAD

Ref. No.	H/C	Part Number	Description	CB 400F	Remarks
1	21557	90443-107-000	NUT, HEX., CAP, 8MM.....	8	
2	38695	90441-377-000	WASHER, SEALING, 8MM.....	10	
3	18918	90236-300-000	NUT, 8MM.....	2	
4	29576	90237-333-000	NUT, SPECIAL, 8MM.....	2	
5	38696	90442-377-000	WASHER, SEAL.....	2	
6	17665	17255-246-000	BAND, CLEANER CONNECTING TUBE.....	4	
7	30112	16212-333-030	INSULATOR A, CARBURETOR.....	2	
8	14556	93500-05025-0A	SCREW, PAN, 5X25.....	4	
9	30113	16213-333-030	INSULATOR B, CARBURETOR.....	2	
10	05747	93500-06018	SCREW, PAN, 6X18.....	8	
11	04057	16173-253-004	O RING, 27X2.4.....	4	
12	20984	93500-05006-0A	SCREW, PAN, 5X6.....	4	
13	25522	90452-323-000	WASHER, THRUST, 5MM.....	4	
14	06931	94301-08140	PIN A, DOWEL, 8X14.....	2	
15	29476	91305-333-000	O RING, 5X1.7.....	1	
16	28146	12904-333-000	PIPE COMP., LEFT OIL.....	1	
17	38576	12200-377-000	HEAD COMP., CYLINDER.....	1	
18	28151	12905-333-000	HOLDER, OIL PIPE.....	2	
19	28167	12209-333-005	SEAL, VALVE STEM.....	4	
20	28145	12903-333-000	PIPE COMP., RIGHT OIL.....	1	
21	22918	30700-300-010	CAP ASSY., A, NOISE SUPPRESSOR.....	2	
22	29013	98069-38710	PLUG, SPARK *D8ES-L*.....	4	
23	29589	91301-333-000	O RING, 7X1.7.....	1	
24	30272	12202-333-315	GUIDE, INLET VALVE.....	4	
25	02267	91301-200-000	O RING, 10X1.6.....	8	
26	38123	12203-333-335	GUIDE, EXHAUST VALVE.....	4	
27	25429	30701-323-013	CAP ASSY., B, NOISE SUPPRESSOR.....	2	
28	40137	90044-377-000	BOLT, STUD, 6X47.....	8	
29	38577	12251-377-000	GASKET, CYLINDER HEAD.....	1	

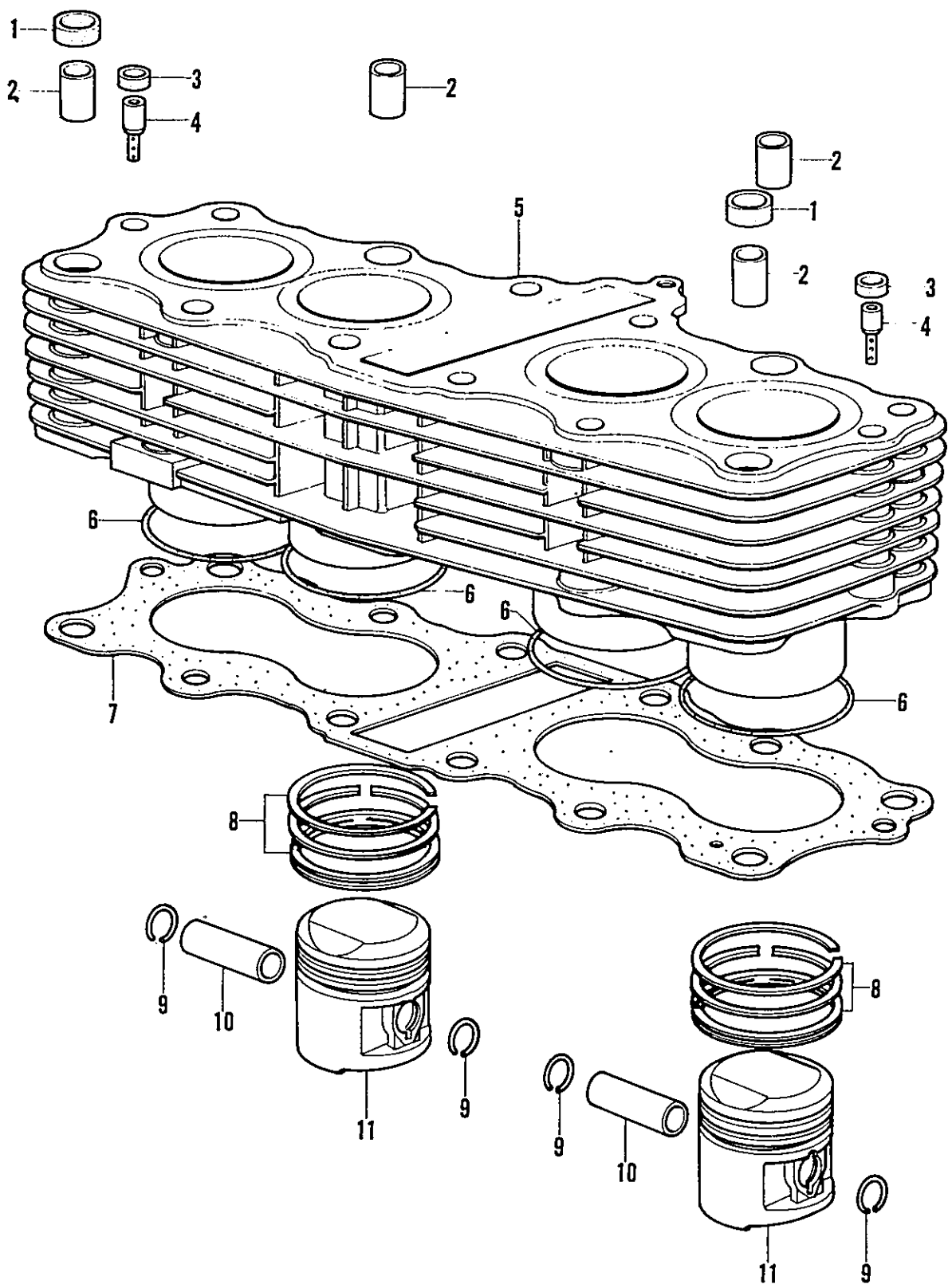
CAMSHAFT . VALVE



CAMSHAFT . VALVE

Ref. No.	H/C	Part Number	Description	CB 400F	Remarks
1	29359	14435-333-000	SPRING, ROCKER ARM SIDE.....	8	
2	29338	14431-333-000	ARM, VALVE ROCKER.....	8	
3	29481	90012-333-000	SCREW, TAPPET ADJUSTING.....	8	
4	00459	90206-001-000	NUT, TAPPET ADJUSTING.....	8	
5	29361	14451-333-000	SHAFT, VALVE ROCKER ARM.....	4	
6	28248	14101-333-020	CAMSHAFT.....	1	
7	21474	14781-107-020	COTTER, VALVE.....	16	
8	21472	14771-107-020	RETAINER, VALVE SPRING.....	8	
9	30513	14751-333-010	SPRING, OUTER VALVE.....	8	
10	30488	14761-333-010	SPRING, INNER VALVE.....	8	
11	21476	14776-107-010	SEAT, VALVE SPRING INNER.....	8	
12	21475	14775-107-000	SEAT, VALVE SPRING OUTER.....	8	
13	38580	14711-377-000	VALVE, INLET.....	4	
14	38581	14721-377-000	VALVE, EXHAUST.....	4	

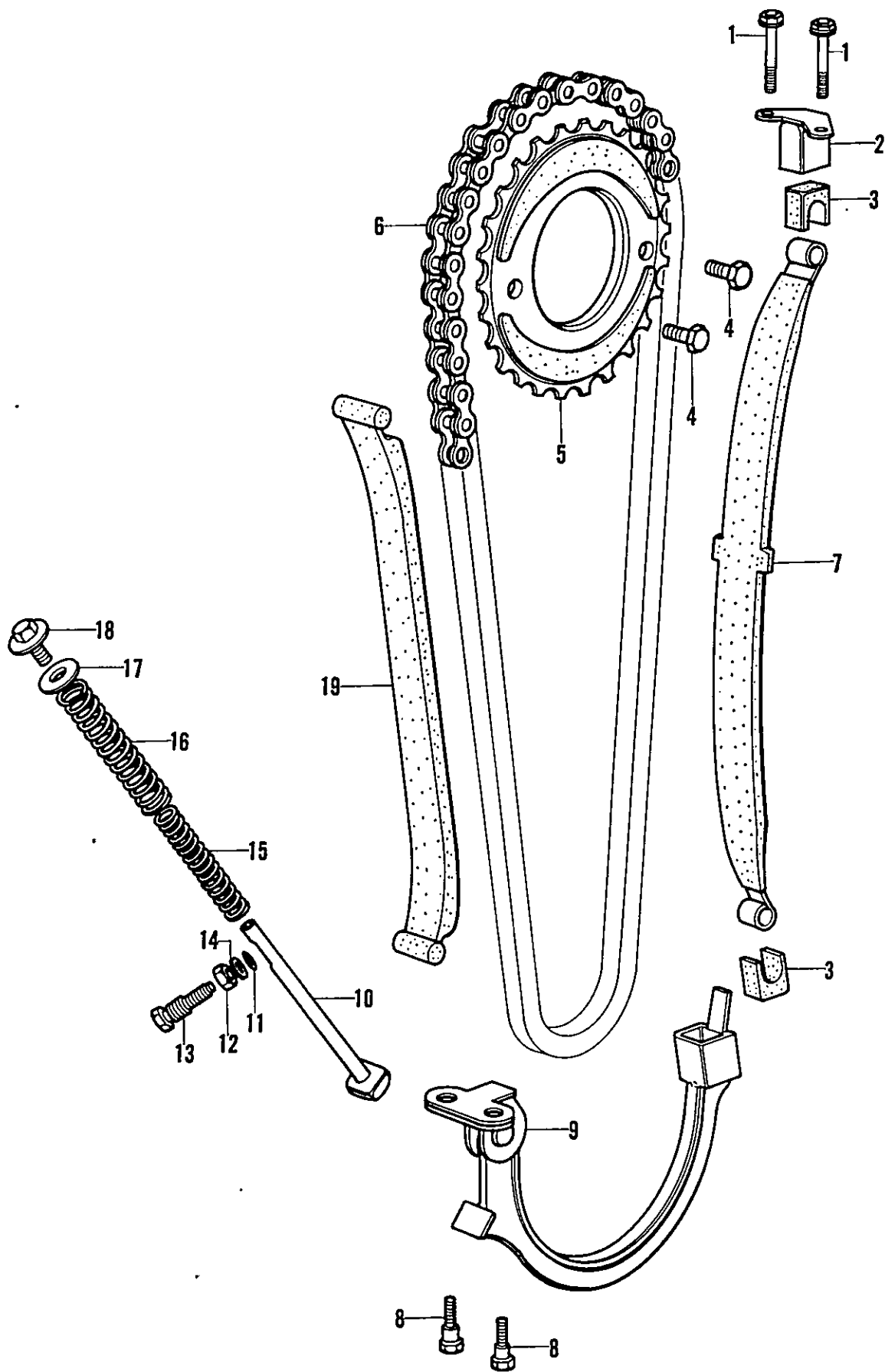
CYLINDER . PISTON



CYLINDER . PISTON

Ref. No.	H/C	Part Number	Description	CB 400F	Remarks
1	28175	12909-333-000	GASKET, CYLINDER STUD.....	2	
2	16532	94301-12200	PIN, DOWEL, 12X20.....	4	
3	29483	12910-333-000	GASKET, ORIFICE VALVE.....	2	
4	28144	12901-333-000	VALVE, OIL CONTROL ORIFICE.....	2	
5	38574	12100-377-000	CYLINDER COMP.....	1	
6	38698	91301-377-000	O RING, 55.5X2.....	4	
7	38575	12191-377-000	PACKING, CYLINDER.....	1	
8	40099	13011-377-003	RING SET, PISTON *STD*.....	4	
	40100	13021-377-003	RING SET, PISTON *0.25*.....	4	
	40101	13031-377-003	RING SET, PISTON *0.50*.....	4	
	40102	13041-377-003	RING SET, PISTON *0.75*.....	4	
	40103	13051-377-003	RING SET, PISTON *1.00*.....	4	
9	20756	94601-13000	CLIP, PISTON PIN, 13MM.....	8	
10	18542	13111-087-000	PIN, PISTON.....	4	
11	38579	13101-377-000	PISTON *STD*.....	4	
	40104	13102-377-000	PISTON *0.25*.....	4	
	40105	13103-377-000	PISTON *0.50*.....	4	
	40106	13104-377-000	PISTON *0.75*.....	4	
	40107	13105-377-000	PISTON *1.00*.....	4	

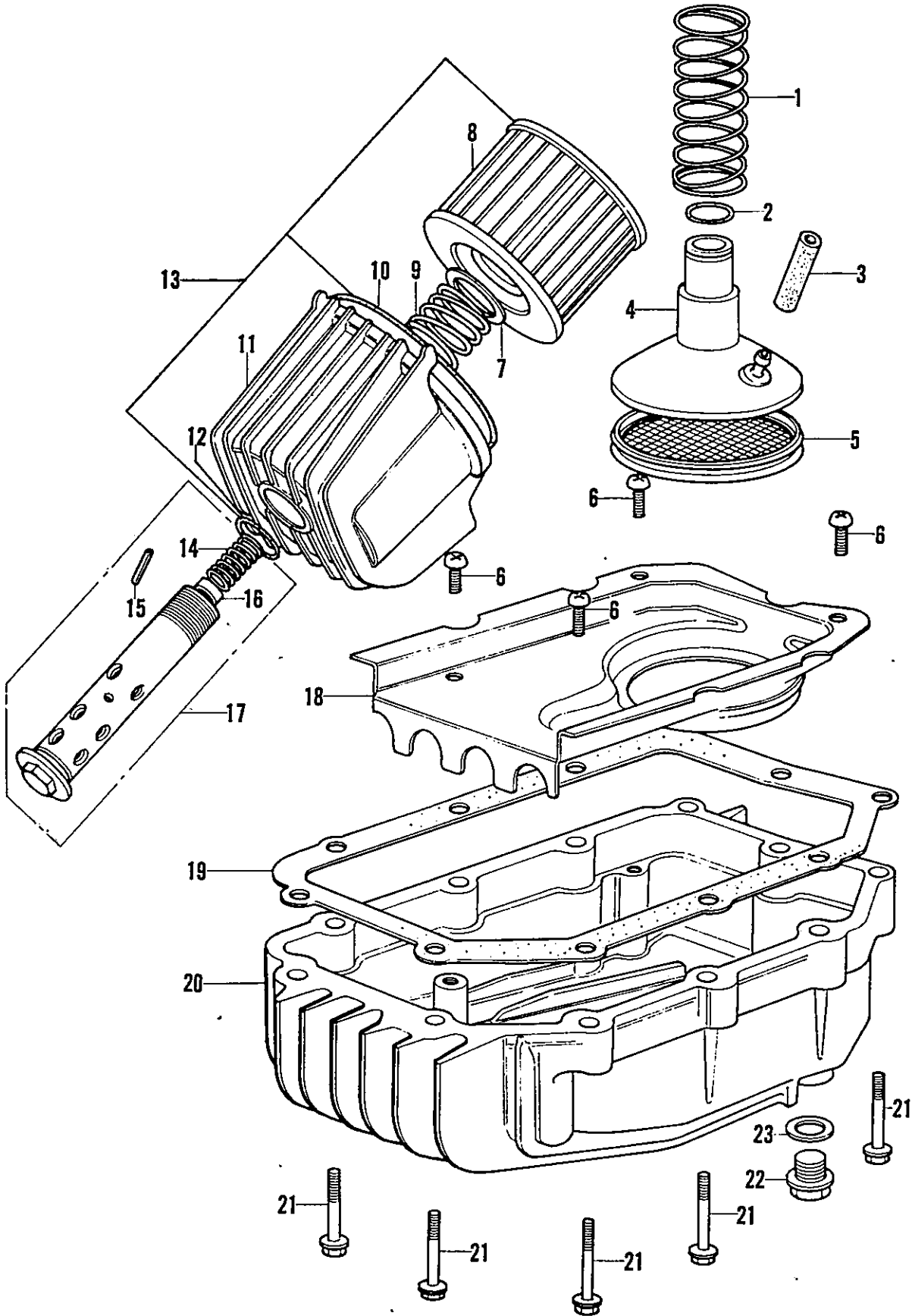
CAM CHAIN TENSIONER



CAM CHAIN . TENSIONER

Ref. No.	H/C	Part Number	Description	CB 400F	Remarks
1	29741	95700-06016	BOLT, FLANGE, 6X16.....	2	
2	29432	14530-333-000	HOLDER, CAM, CHAIN TENSIONER.....	1	
3	25799	14501-323-000	DAMPER, TENSIONER.....	2	
4	19267	90081-246-000	BOLT, KNOCK, 7X12.....	2	
5	40108	14321-377-000	SPROCKET, CAM.....	1	
6	29311	14401-333-003	CHAIN, CAM.....	1	
7	29442	14545-333-000	SLIPPER, CAM CHAIN TENSIONER.....	1	
8	23300	90081-312-000	BOLT, KNOCK, 6X14.....	2	
9	29427	14500-333-020	ARM COMP., CAM CHAIN TENSIONER.....	1	
10	29466	14550-333-000	BAR, CAM CHAIN TENSIONER PUSH.....	1	
11	07103	91317-703-000	O RING, 6X1.7.....	1	
12	15607	94002-08000-0S	NUT, HEX., 8MM.....	1	
13	18248	90016-286-000	BOLT, TENSIONER SETTING.....	1	
14	05907	94101-06000	WASHER, DRAIN, 6MM.....	1	
15	29096	14543-333-000	SPRING, TENSIONER INNER.....	1	
16	29434	14541-333-020	SPRING, TENSIONER OUTER.....	1	
17	29098	90474-333-000	WASHER, 8MM.....	1	
18	29097	25911-500-000	BOLT, OIL CHECK.....	1	
19	29745	14620-333-000	GUIDE, CAM CHAIN.....	1	

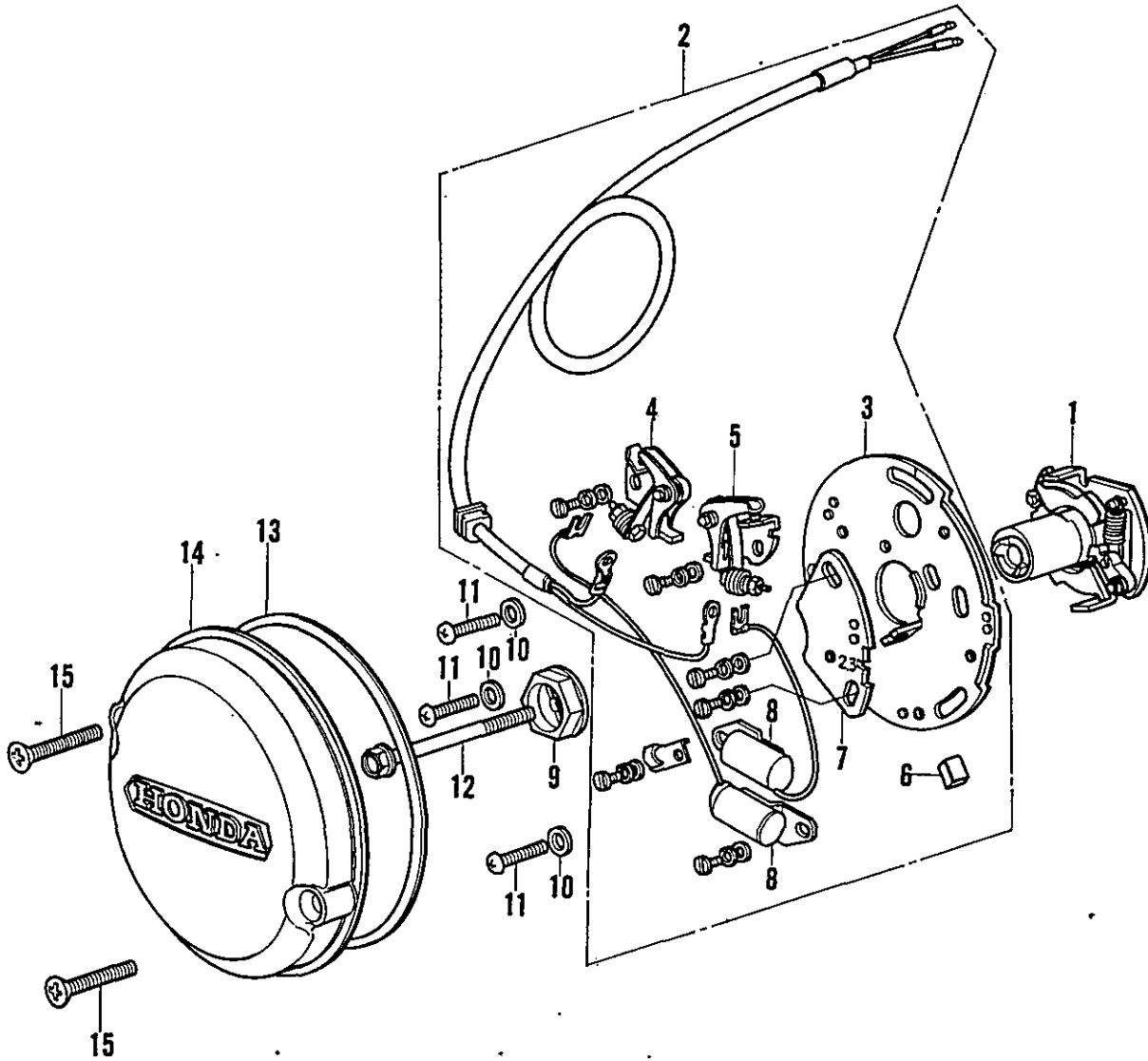
OIL FILTER . OIL PAN



OIL FILTER . OIL PAN

Ref. No.	H/C	Part Number	Description	CB 400F	Remarks
1	29477	15157-333-000	SPRING, OIL SCREEN SETTING.....	1	
2	29223	91329-590-003	O RING, 16.5X2.....	1	
3	29475	15155-333-000	PIPE, MISSION OIL.....	1	
4	29474	15153-333-000	BODY, OIL SCREEN.....	1	
5	29472	15151-333-000	SCREEN, OIL STRAINER.....	1	
6	05742	93500-06012	SCREW, PAN, 6X12.....	4	
7	19013	15414-300-000	SEAT, OIL FILTER SPRING.....	1	
8	19012	15412-300-024	ELEMENT, OIL FILTER..... (SUPERSEDED BY 15412-300-325)	1	
9	19014	15415-300-000	SPRING, OIL FILTER ELEMENT SET.....	1	
10	19020	91316-300-003	O RING, 89X4.5.....	1	
11	20395	15411-300-010	CASE, OIL FILTER.....	1	
12	38699	91302-377-000	O RING, 15X2.5.....	1	
13	31456	15412-300-325	ELEMENT SET, OIL FILTER.....	1	
14	19017	15474-300-310	SPRING, CHECK VALVE.....	1	
15	19018	15477-300-300	PIN, SPRING SET.....	1	
16	19016	15473-300-300	VALVE, CHECK.....	1	
17	20396	15420-300-020	BOLT COMP., OIL FILTER CENTER.....	1	
18	29473	15152-333-000	PLATE, OIL SEPARATOR.....	1	
19	28110	11398-333-020	GASKET, OIL PAN.....	1	
20	38568	11210-377-000	PAN, OIL.....	1	
21	25381	95700-06040	BOLT, FLANGE, 6X40.....	11	
22	05397	92800-12000	BOLT, DRAIN PLUG, 12MM.....	1	
23	17186	94109-12000	WASHER, DRAIN PLUG, 12MM.....	1	

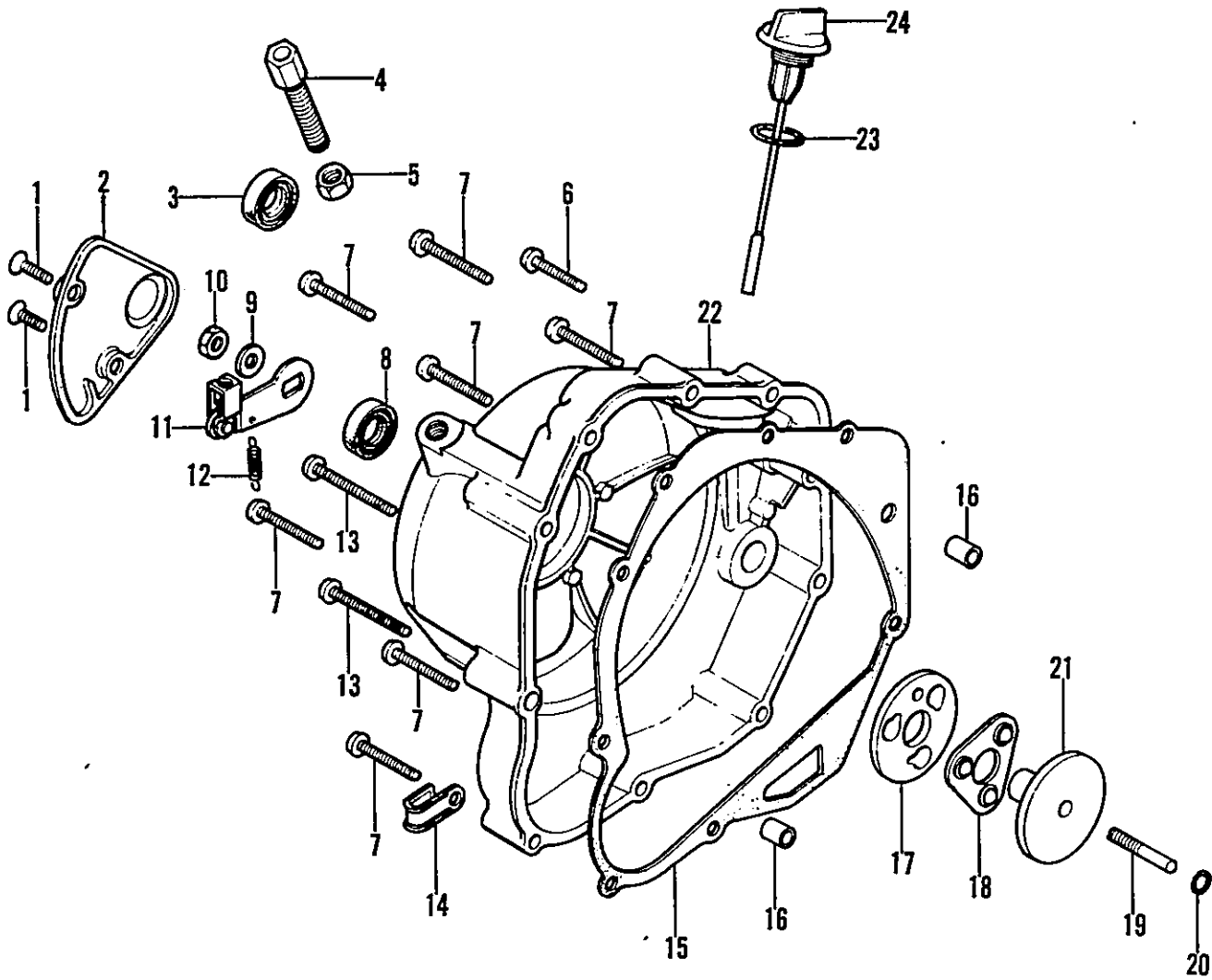
POINTS . SPARK ADVANCER



POINTS . SPARK ADVANCER

Ref. No.	H/C	Part Number	Description	CB 400F	Remarks
1	29552	30220-333-004	ADVANCER ASSY., SPARK.....	1	
2	29547	30200-333-004	POINTS ASSY., CONTACT.....	1	
3	29548	30201-333-004	PLATE, CONTACT BREAKER BASE.....	1	
4	29550	30204-333-004	POINTS, 1 & 4.....	1	
5	29549	30203-333-004	POINTS, 2 & 3.....	1	
6	39498	30205-333-004	FELT, OIL.....	1	
7	29551	30215-333-004	PLATE, BREAKER SHIFT.....	1	
8	29554	30250-333-004	CONDENSER COMP.....	2	
9	29553	30233-333-000	WASHER, ADVANCER SPECIAL.....	1	
10	05905	94101-05000	WASHER, PLAIN, 5MM.....	3	
11	18107	93500-05014-0A	SCREW, PAN, 5X14.....	3	
12	29100	95800-06055	BOLT, FLANGE, 6X55.....	1	
13	18951	30372-300-300	GASKET, POINT COVER.....	1	
14	25489	30370-323-000	COVER COMP., POINT.....	1	
15	05659	93700-06030	SCREW, OVAL, 6X30.....	2	

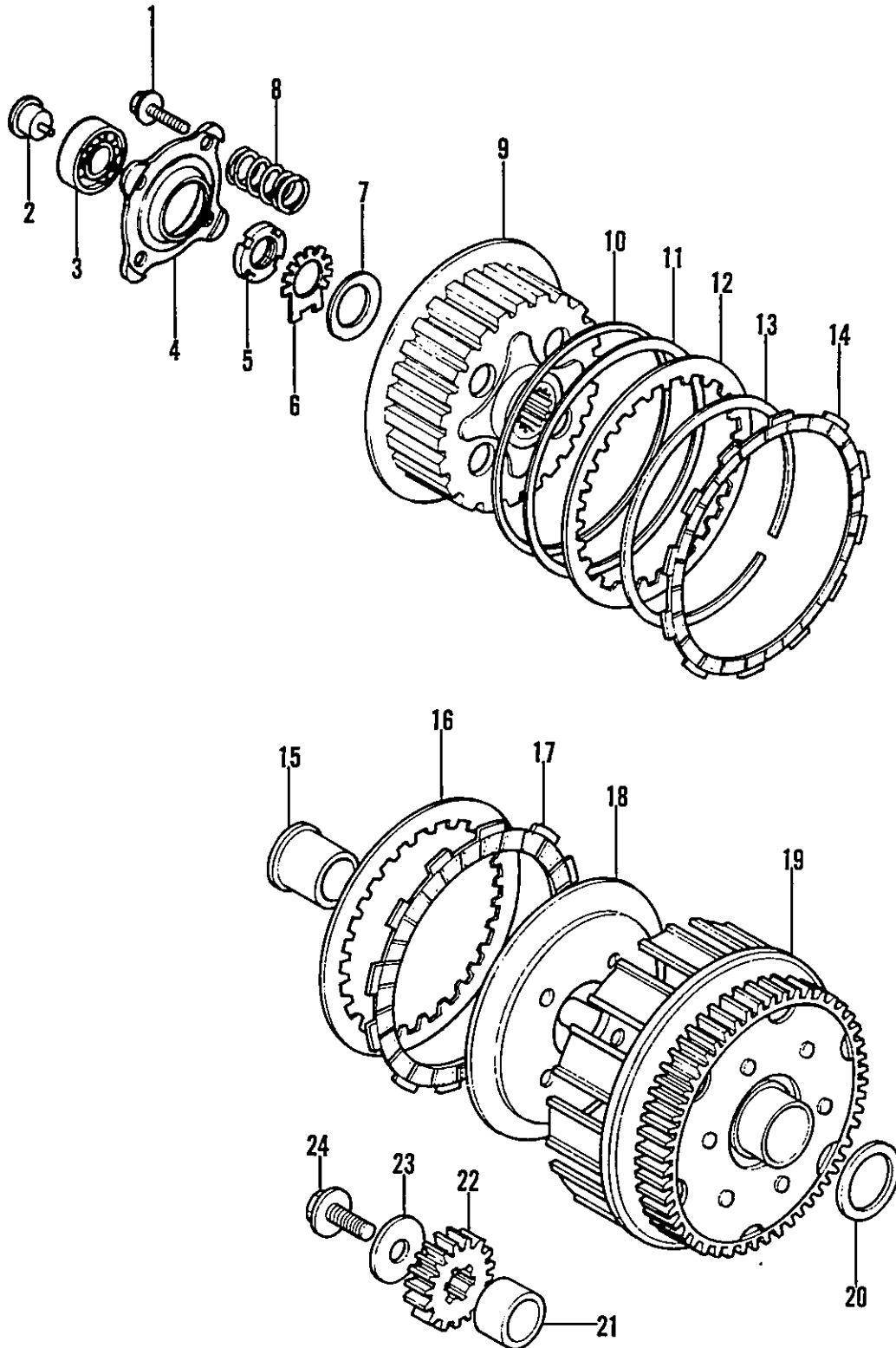
RIGHT CRANKCASE COVER . CLUTCH LEVER



RIGHT CRANKCASE COVER . CLUTCH LEVER

Ref. No.	H/C	Part Number	Description	CB 400F	Remarks
1		05647 93700-06016	SCREW, OVAL, 6X16.....	2	
2		38571 11348-377-000	COVER, CLUTCH ADJUST.....	1	
3		04043 91204-259-003	OIL SEAL, 16X28X7.....	1	
4		38728 22818-354-000	BOLT, ADJUST.....	1	
5		14539 94001-10000-0S	NUT, HEX., 10MM.....	1	
6		05757 93500-06035	SCREW, PAN, 6X35.....	1	
7		05761 93500-06040	SCREW, PAN, 6X40.....	7	
8		02706 91202-216-000	OIL SEAL, 14X24X5.....	1	
9		12210 90402-822-000	WASHER, HEAD, 8MM.....	1	
10		15607 94002-08000-0S	NUT, HEX., 8MM.....	1	
11		38599 22810-377-000	LEVER COMP., CLUTCH.....	1	
12		22165 22815-300-000	SPRING, CLUTCH LEVER.....	1	
13		05768 93500-06060	SCREW, PAN, 6X60.....	2	
14		29563 32112-333-000	CLAMPER B, CORD.....	1	
15		38572 11394-377-000	PACKING, RIGHT CRANKCASE COVER.....	1	
16		06931 94301-08140	PIN A, DOWEL, 8X14.....	2	
17		18957 22830-300-000	CAM COMP., CLUTCH LEVER.....	1	
18		18959 22860-300-006	RETAINER COMP., CLUTCH BALL.....	1	
19		18958 22841-300-000	BOLT, CLUTCH ADJUSTING.....	1	
20		33490 91301-283-005	O RING, 5X2.4.....	1	
21		18956 22820-300-000	SHAFT, CLUTCH RELEASE.....	1	
22		38569 11331-377-000	COVER, RIGHT CRANKCASE.....	1	
23		12214 91354-702-000	O RING, 23MM.....	1	
24		29591 15650-333-000	GAUGE, OIL LEVEL.....	1	

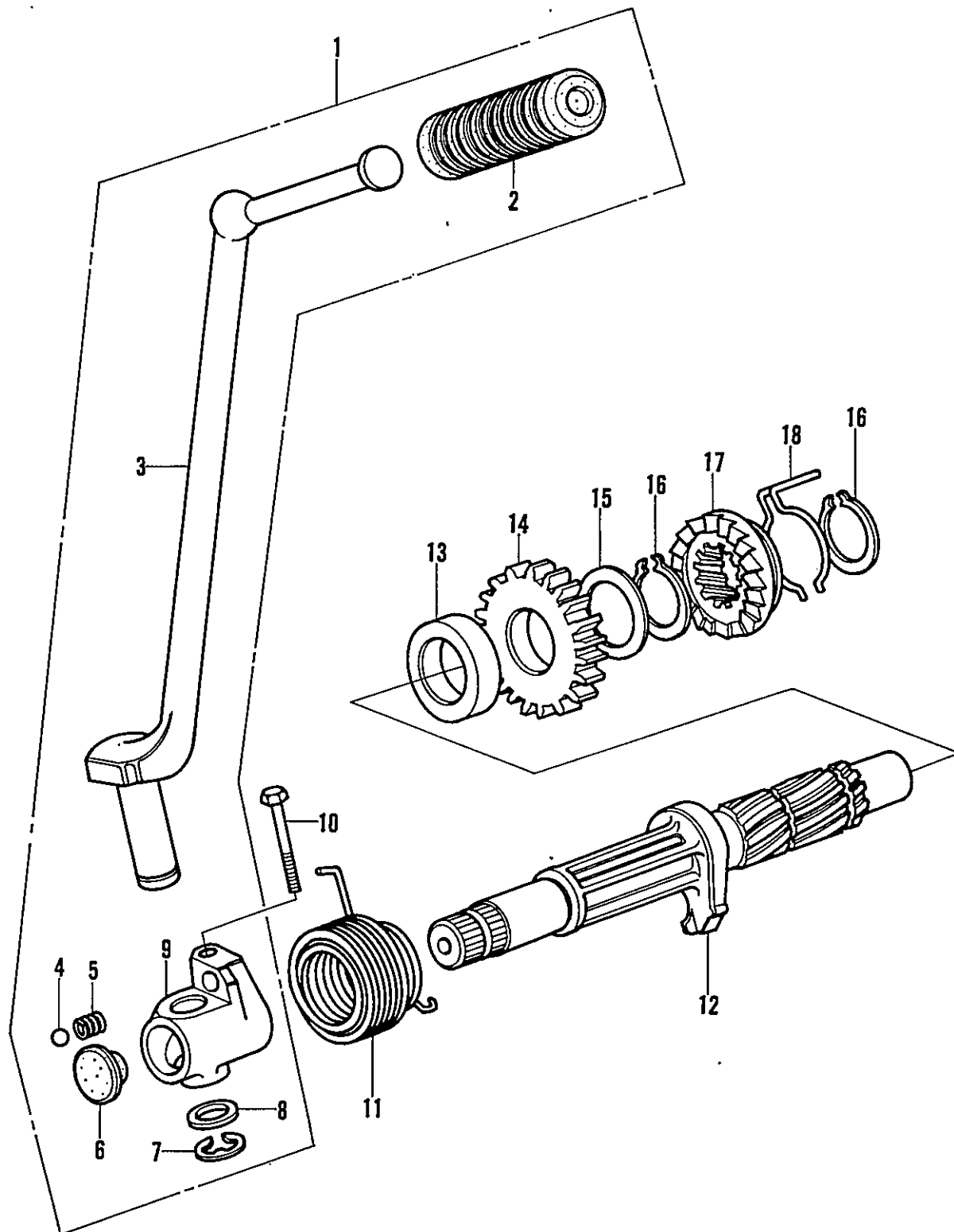
CLUTCH



CLUTCH

Ref. No.	H/C	Part Number	Description	CB 400F	Remarks
1	29202	95700-06020	BOLT, FLANGE, 6X20.....	4	
2	18967	22846-300-000	PIECE, CLUTCH LIFTER.....	1	
3	33485	91008-362-000	BEARING, RADIAL BALL, 16003.....	1	
4	38598	22361-377-000	PLATE, CLUTCH LIFTER.....	1	
5	02675	90231-200-010	NUT, LOCK, 16MM.....	1	
6	15164	90431-292-000	WASHER, LOCK, 16MM.....	1	
7	15165	90481-292-000	WASHER, OIL FILTER ROTOR LOCK.....	1	
8	36419	22401-369-000	SPRING, CLUTCH.....	4	
9	38596	22120-377-000	CENTER COMP., CLUTCH.....	1	
10	29496	22125-333-000	SEAT, DISK SPRING.....	1	
11	28829	22402-333-003	DISK, CLUTCH SPRING.....	1	
12	29499	22321-333-010	PLATE B, CLUTCH.....	1	
13	29584	90609-333-000	SET RING, SPECIAL, 92MM.....	1	
14	19801	22201-302-000	DISK, CLUTCH FRICTION.....	1	
15	29494	22116-333-020	COLLAR, 25MM.....	1	
16	02531	23311-200-000	PLATE A, CLUTCH.....	6	
17	38597	22201-377-000	DISK, CLUTCH FRICTION.....	6	*
18	28816	22350-333-010	PLATE, CLUTCH PRESSURE.....	1	
19	38595	22100-377-000	OUTER COMP., CLUTCH.....	1	
20	29122	90455-333-010	WASHER, THRUST, 25MM.....	1	
21	40121	23104-377-000	COLLAR, 25X16.5.....	1	
22	29507	23108-333-020	GEAR, SPEEDOMETER DRIVE.....	1	
23	29575	90201-333-020	WASHER, PRIMARY SHAFT LOCK.....	1	
24	29570	90013-333-010	BOLT, U.B.S., 12X30.....	1	

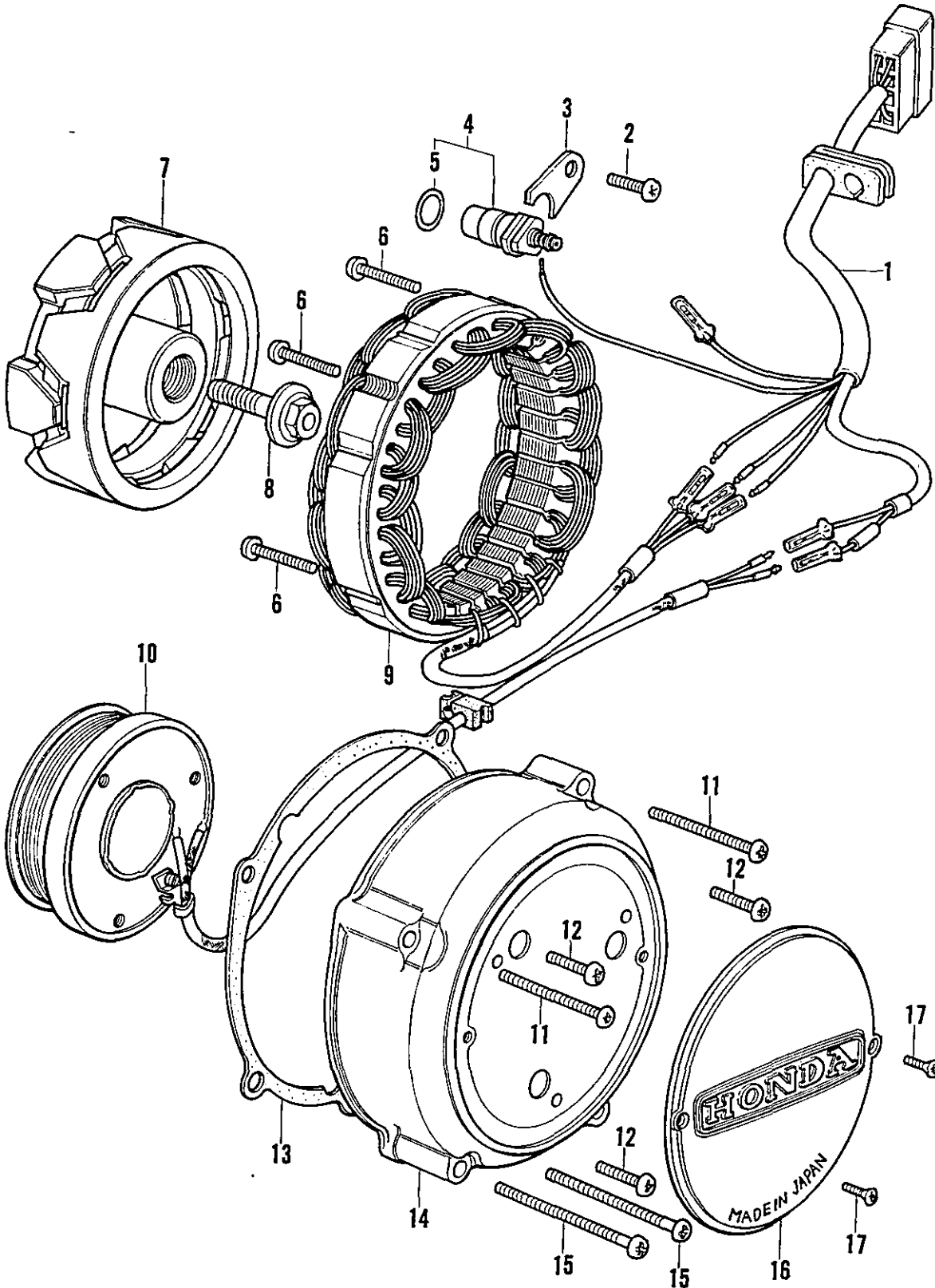
KICK STARTER



KICK STARTER

Ref. No.	H/C	Part Number	Description	CB 400F	Remarks
1	38627	28300-377-000	ARM COMP., KICK STARTER.....	1	
2	29315	28311-329-000	RUBBER, KICK STARTER.....	1	
3	38628	28301-377-000	ARM, KICK STARTER.....	1	
4	05893	96211-10000	BALL, STEEL, #10.....	1	
5	29634	28333-333-000	SPRING, KICK STARTER STOPPER.....	1	
6	29633	28305-333-010	CAP, KICK ARM.....	1	
7	29629	28293-333-000	CLIP, KICK STARTER ARM.....	1	
8	29630	28294-333-000	WASHER, KICK ARM.....	1	
9	29628	28241-333-010	JOINT, KICK ARM.....	1	
10	31320	92000-06036	BOLT, HEX., 6X36.....	1	
11	29545	28261-333-030	SPRING, KICK STARTER.....	1	
12	29543	28251-333-010	SPINDLE, KICK STARTER.....	1	
13	29544	28259-333-010	COLLAR, KICK SPINDLE.....	1	
14	29541	28211-333-020	PINION, KICK STARTER.....	1	
15	21561	90454-107-000	WASHER B, THRUST, 20MM.....	1	
16	09724	90605-200-000	SET RING, 20MM.....	2	
17	29542	28221-333-010	RATCHET, KICK STARTER.....	1	
18	29546	28271-333-000	SPRING, STARTER PINION FRICTION.....	1	

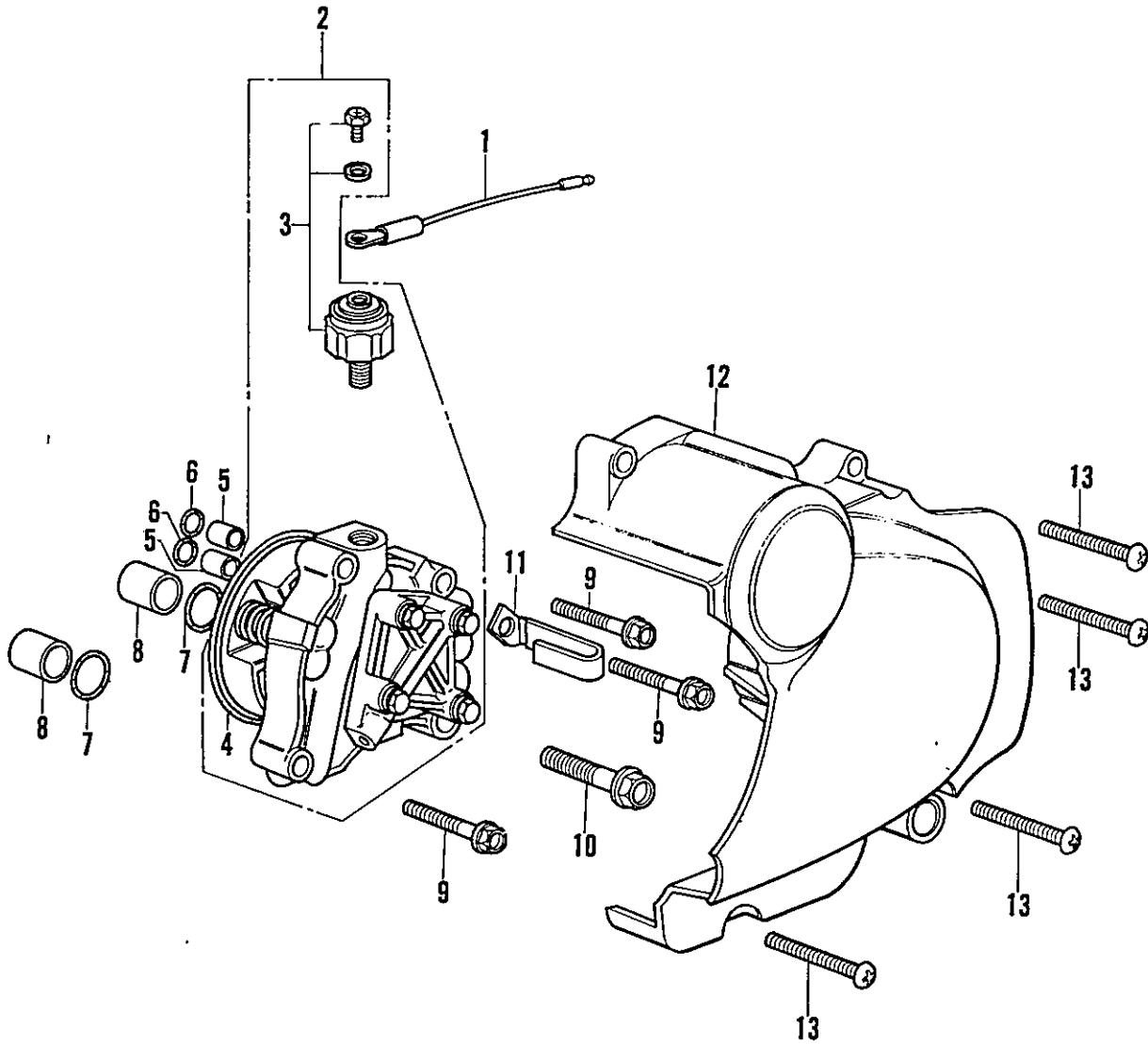
GENERATOR



GENERATOR

Ref. No.	H/C	Part Number	Description	CB 400F	Remarks
1	29560	31110-333-000	HARNES, A.C. GENERATOR WIRE.....	1	
2	05742	93500-06012	SCREW, PAN, 6X12.....	1	
3	29569	35755-333-010	PLATE, NEUTRAL SWITCH FIXING.....	1	
4	37579	35750-333-023	SWITCH, NEUTRAL.....	1	
5	29568	35751-333-003	O RING.....	1	
6	05756	93500-06032	SCREW, PAN, 6X32.....	3	
7	29556	31101-333-004	ROTOR COMP.....	1	
8	29123	90014-333-000	BOLT, HEX., 10X32.....	1	
9	29557	31102-333-004	STATOR COMP.....	1	
10	29558	31103-333-004	COIL COMP., FIELD.....	1	
11	05761	93500-06040	SCREW, PAN, 6X40.....	2	
12	05745	93500-06016	SCREW, PAN, 6X16.....	3	
13	28114	11691-333-000	GASKET, DYNAMO COVER.....	1	
14	38573	11631-377-000	COVER A, DYNAMO.....	1	
15	05766	93500-06055	SCREW, PAN, 6X55.....	2	
16	28111	11632-333-010	COVER B, DYNAMO.....	1	
17	25193	93700-04012-0B	SCREW, OVAL, 4X12.....	2	

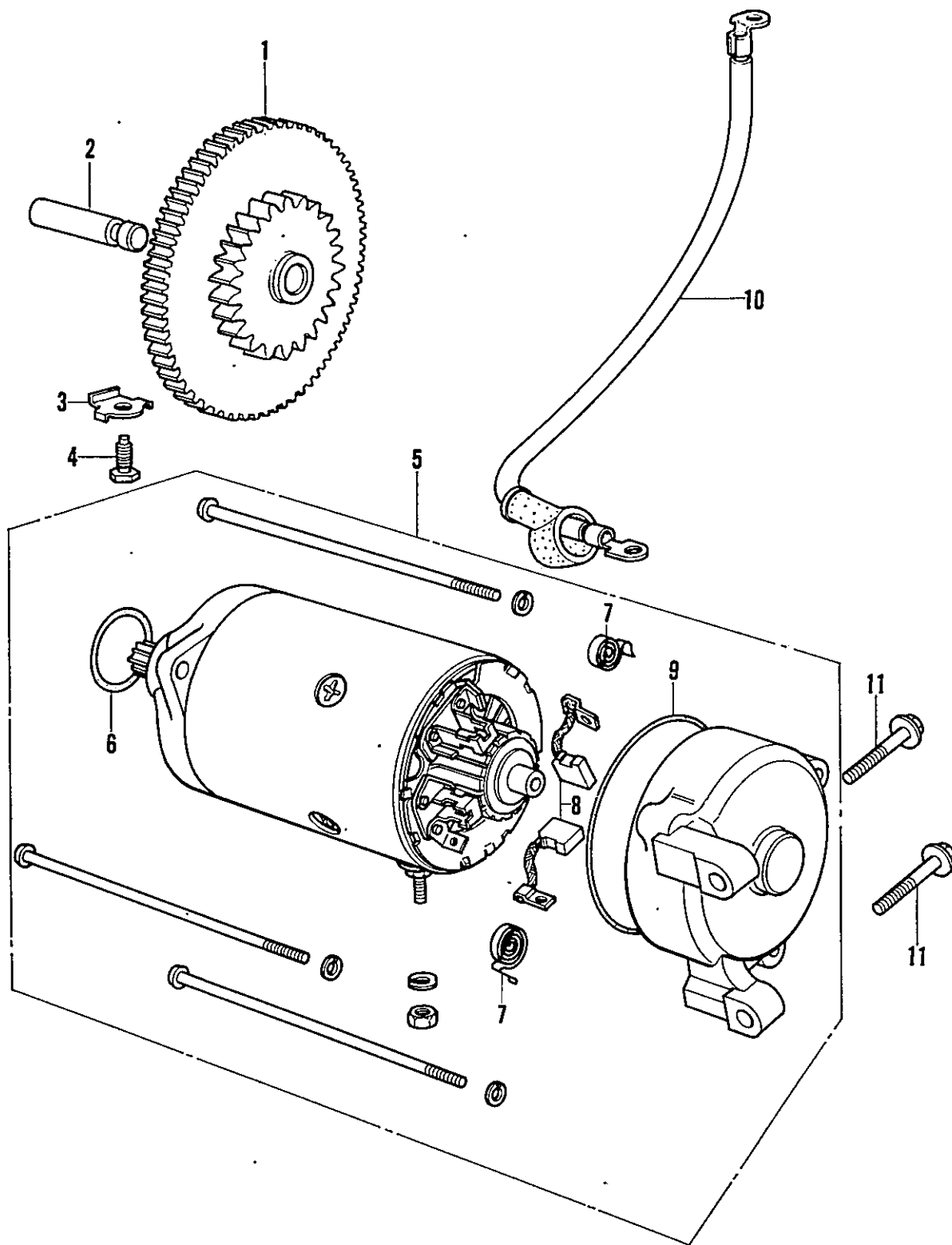
LEFT CRANKCASE COVER . OIL PUMP



LEFT CRANKCASE COVER . OIL PUMP

Ref. No.	H/C	Part Number	Description	CB 400F	Remarks
1	29566	35510-333-000	SUB CORD, PRESSURE.....	1	
2	29471	15100-333-010	PUMP ASSY., OIL.....	1	
3	40126	35500-333-014	SWITCH ASSY., OIL PRESSURE.....	1	
4	29555	41123-516-000	O RING, 63X2.5.....	1	
5	29479	15391-333-000	COLLAR, O RING GUIDE.....	2	
6	12805	91302-044-010	O RING, 8.7X1.8.....	2	
7	38699	91302-377-000	O RING, 15X2.5.....	2	
8	29562	94301-14200	PIN A, DOWEL, 14X20.....	2	
9	25380	95700-06032	BOLT, FLANGE, 6X32.....	3	
10	29581	95700-08032	BOLT, FLANGE, 8X32.....	1	
11	29509	32113-333-000	CLAMPER C, CORD.....	1	
12	38570	11341-377-000	COVER, LEFT CRANKCASE.....	1	
13	05757	93500-06035	SCREW, PAN, 6X35.....	4	

STARTER MOTOR

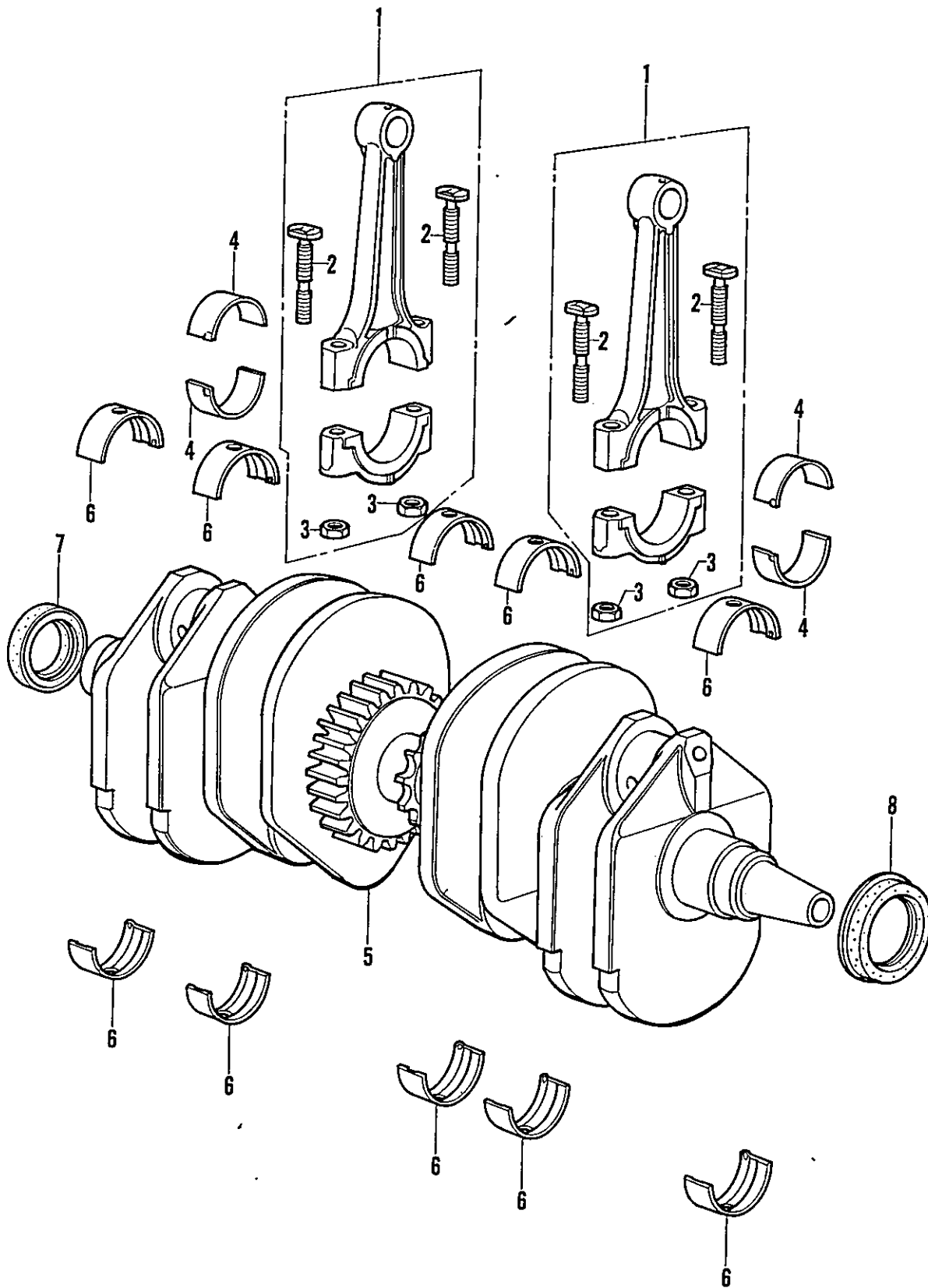


STARTER MOTOR

Ref. No.	H/C	Part Number	Description	CB 400F	Remarks
1	38622	28101-377-000	GEAR, STARTER REDUCTION.....	1	
2	29537	28106-333-000	SHAFT, REDUCTION GEAR.....	1	
3	07632	90433-283-000	WASHER, LOCK, 6MM.....	1	
4	29585	90081-512-010	BOLT, STOPPER, 6MM.....	1	
5	29561	31200-333-000	MOTOR ASSY., STARTING.....	1	
6	18992	91309-300-000	O RING, 24.4X3.1.....	1	
7	08670	31204-225-154	SPRING, CARBON BRUSH.....	2	
8	15629	31201-230-174	BRUSH SET, CARBON.....	1	
9	15632	31206-286-158	O RING.....	1	
10	29564	32410-333-000	CABLE, STARTING MOTOR.....	1	
11	29203	95700-06028	BOLT, FLANGE, 6X28.....	2	

1

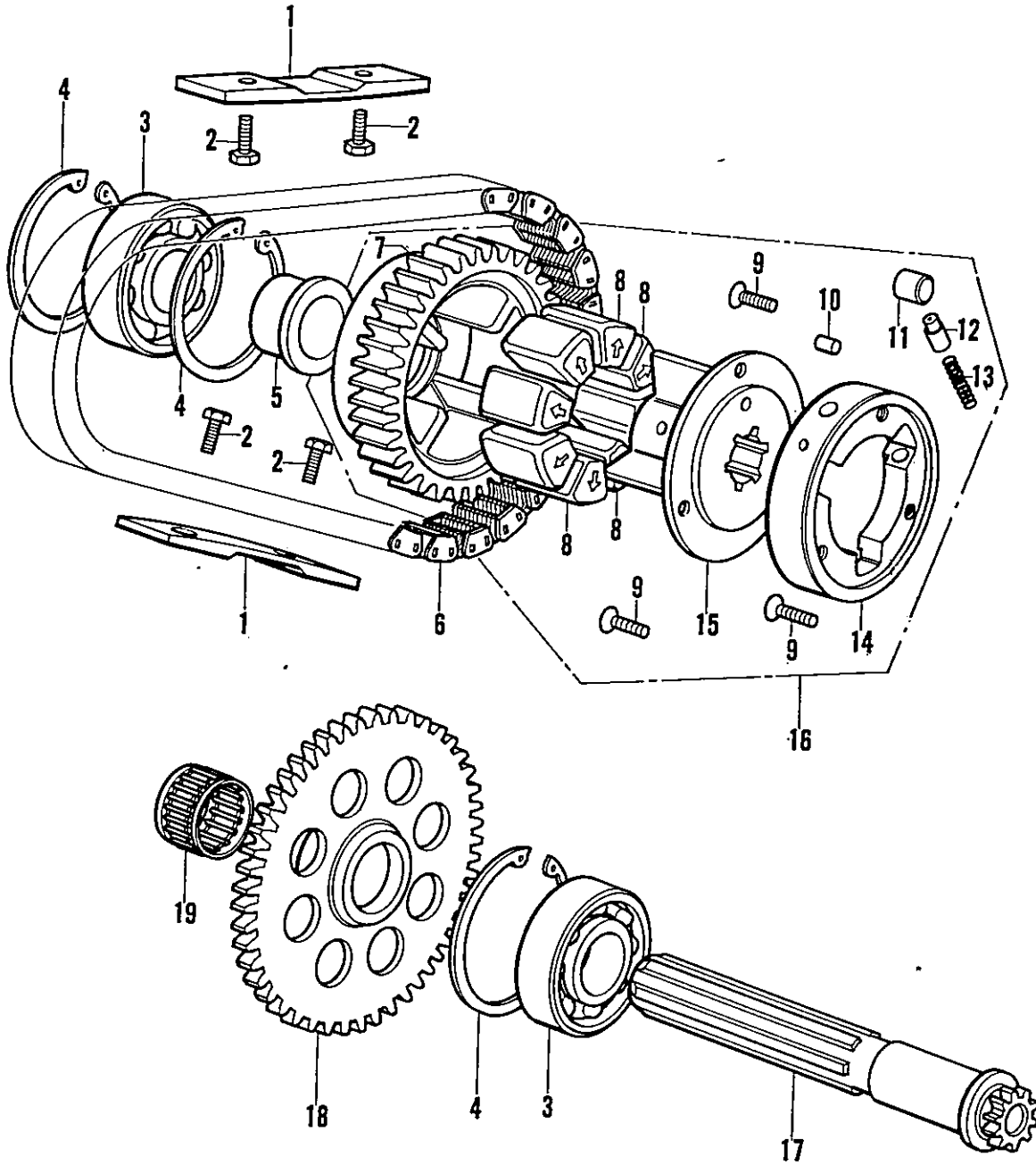
CRANKSHAFT



CRANKSHAFT

Ref. No.	H/C	Part Number	Description	CB 400F	Remarks
1	29587	13210-333-003	ROD COMP., C, CONNECTING.....	4	
	29588	13210-333-004	ROD COMP., D, CONNECTING.....	4	
2	29663	13213-333-003	BOLT, CONNECTING ROD.....	8	
3	19048	13214-300-000	NUT, CONNECTING ROD.....	8	
4	28205	13215-333-003	BEARING A, CONNECTING ROD *BLACK*.....	8	
	28225	13216-333-003	BEARING B, CONNECTING ROD *BROWN*.....	8	
	28228	13217-333-003	BEARING C, CONNECTING ROD *GREEN*.....	8	
	28229	13218-333-003	BEARING D, CONNECTING ROD *YELLOW*.....	8	
	28230	13219-333-003	BEARING E, CONNECTING ROD *RED*.....	8	
5	28232	13300-333-010	CRANKSHAFT COMP.....	1	
6	29666	13314-333-003	BEARING AA, CRANKSHAFT *BLUE*.....	10	
	28233	13315-333-003	BEARING A, CRANKSHAFT *BLACK*.....	10	
	28238	13316-333-003	BEARING B, CRANKSHAFT *BROWN*.....	10	
	28241	13317-333-003	BEARING C, CRANKSHAFT *GREEN*.....	10	
	28242	13318-333-003	BEARING D, CRANKSHAFT *YELLOW*.....	10	
	28246	13319-333-003	BEARING E, CRANKSHAFT *RED*.....	10	
7	19396	91201-300-003	OIL SEAL, 30X42X8.....	1	
8	25359	91201-323-005	OIL SEAL, 30X45X8.....	1	

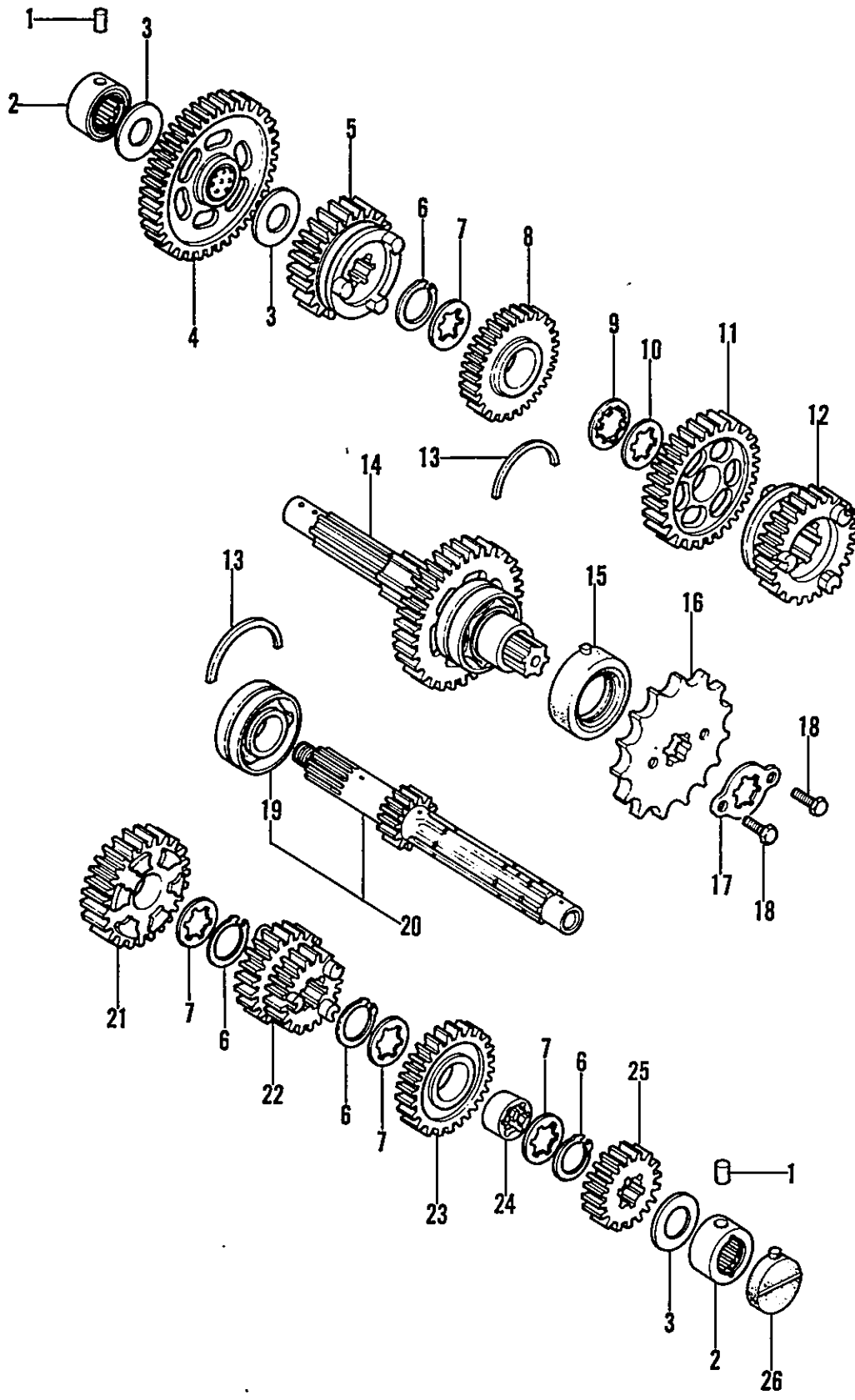
PRIMARY SHAFT . CHAIN



PRIMARY SHAFT . CHAIN

Ref. No.	H/C	Part Number	Description	CB 400F	Remarks
1	29508	23132-333-010	GUIDE, PRIMARY CHAIN.....	2	
2	05419	92000-06012	BOLT, HEX., 6X12.....	4	
3	29689	96100-62050	BEARING, RADIAL BALL, 6205.....	2	
4	07320	94520-52000	CIRCLIP, INTERNAL, 52MM.....	3	
5	38602	23102-377-000	COLLAR, 25X16.5.....	1	
6	36231	23131-323-003	CHAIN, PRIMARY DRIVE.....	1	
7	29593	23111-333-000	SPROCKET, PRIMARY DRIVEN.....	1	
8	25677	23114-323-000	RUBBER, DAMPER.....	8	
9	05578	93600-06014	SCREW, FLAT, 6X14.....	3	
10	14541	94302-06100	PIN, KNOCK, 6X10.....	1	
11	38697	91101-377-000	ROLLER, 10.2X11.5.....	3	
12	03988	28126-253-030	CAP, STARTING CLUTCH ROLLER SPRING.....	3	
13	03987	28125-253-020	SPRING, STARTING CLUTCH ROLLER.....	3	
14	38625	28120-377-000	OUTER, STARTING CLUTCH.....	1	
15	29594	23112-333-000	HUB, DRIVEN SPROCKET.....	1	
16	38603	23110-377-000	SPROCKET COMP., PRIMARY DRIVEN.....	1	
17	38601	23101-377-000	SHAFT, PRIMARY.....	1	
18	29538	28111-333-310	GEAR, STARTING CLUTCH.....	1	
19	25529	91007-323-000	BEARING, NEEDLE, 25X29X17.....	1	

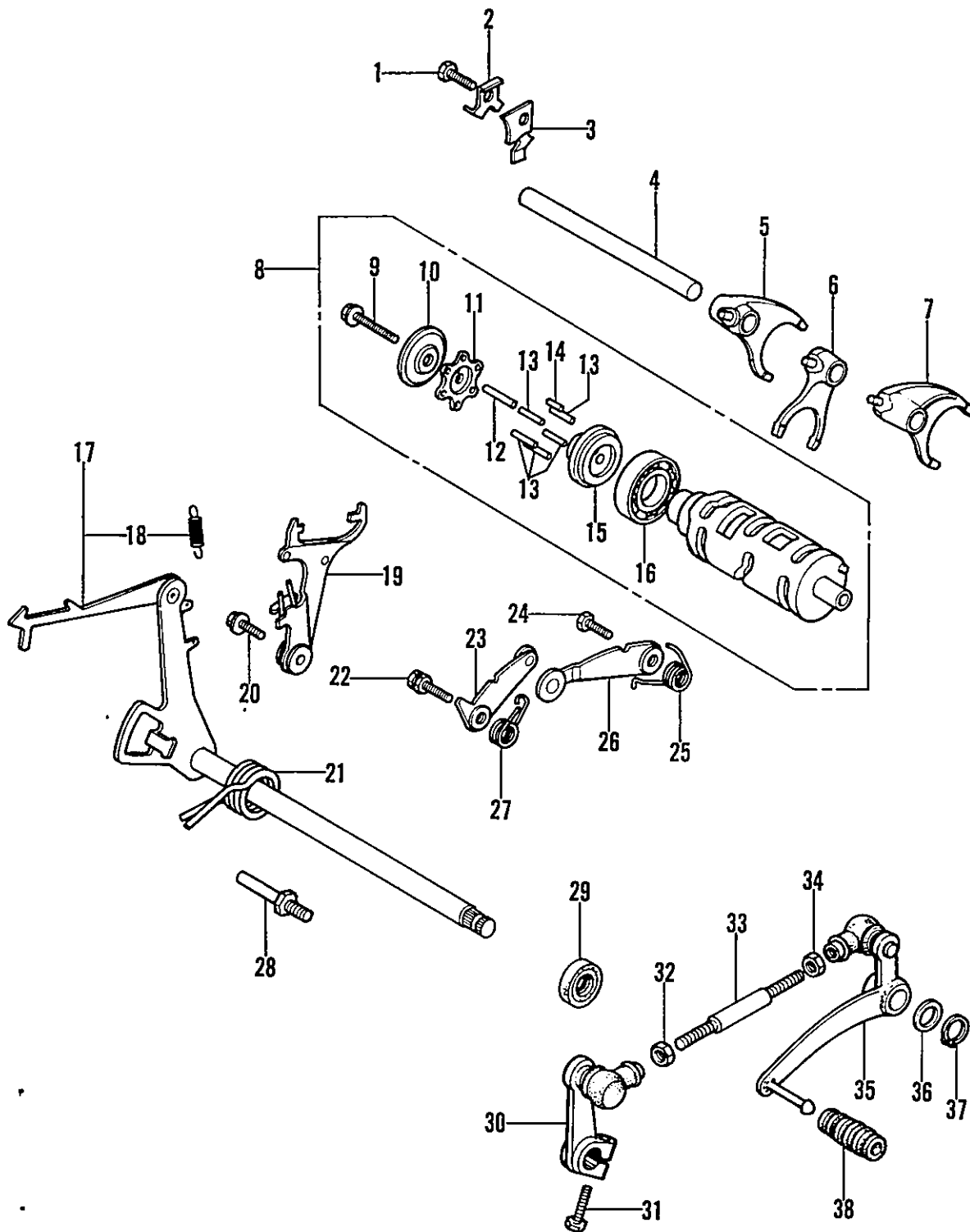
TRANSMISSION



TRANSMISSION

Ref. No.	H/C	Part Number	Description	CB 400F	Remarks
1	07591	24261-283-000	PIN, GEARSHIFT FORK GUIDE.....	2	
2	40144	91022-377-008	BEARING, NEEDLE, 20MM.....	2	
3	40143	90554-700-000	WASHER, THRUST, 20MM.....	3	
4	38606	23420-377-000	GEAR COMP., LOW, COUNTERSHAFT *41T*....	1	
5	38609	23501-377-010	GEAR, FIFTH, COUNTERSHAFT *28T*.....	1	
6	08010	90602-259-010	CIRCLIP, 25MM.....	4	
7	19071	90451-300-000	WASHER, THRUST, 25MM.....	4	
8	38608	23481-377-010	GEAR, FOURTH, COUNTERSHAFT *30T*.....	1	
9	25525	90462-323-000	WASHER, LOCK, 25MM.....	1	
10	17246	90461-286-000	WASHER B, THRUST, 25MM.....	1	
11	38607	23461-377-010	GEAR, THIRD, COUNTERSHAFT *33T*.....	1	
12	38611	23521-377-010	GEAR, TOP, COUNTERSHAFT *26T*.....	1	
13	07457	13492-283-000	RING, BEARING SET, 52MM.....	2	
14	38605	23220-377-000	COUNTERSHAFT COMP., *36T*.....	1	
15	29736	91205-333-005	OIL SEAL, 34X52X13.5X15.5.....	1	
16	29520	23801-333-000	SPROCKET, DRIVE *17T*.....	1	
17	15124	23811-292-000	PLATE, DRIVE SPROCKET FIXING.....	1	
18	05419	92000-06012	BOLT, HEX., 6X12.....	2	
19	15642	91002-286-008	BEARING, BALL, 5205HS.....	1	
20	38604	23210-377-000	MAINSHAFT COMP., *24T*.....	1	
21	36430	23491-369-000	GEAR, FIFTH, MAINSHAFT *29T*.....	1	
22	36426	23451-369-000	GEAR, THIRD & FOURTH, MAINSHAFT..... *24T-27T*	1	
23	38610	23511-377-000	GEAR, TOP, MAINSHAFT *30T*.....	1	
24	36429	23485-369-000	BUSH, SPLINE, 28MM.....	1	
25	36425	23431-369-000	GEAR, SECOND, MAINSHAFT *20T*.....	1	
26	30144	91207-333-010	OIL SEAL, 34X9.....	1	

GEAR SHIFT DRUM . CHANGE PEDAL



GEAR SHIFT DRUM . CHANGE PEDAL

Ref. No.	H/C	Part Number	Description	CB 400F	Remarks
1	17172	92000-08020-0A	BOLT, HEX., 8X20.....	1	
2	29578	90435-333-000	WASHER, TONGUED, 8MM.....	1	
3	29529	24231-333-010	PLATE, GUIDE SHAFT SET.....	1	
4	38613	24226-377-000	SHAFT, SHIFT FORK GUIDE.....	1	
5	38612	24211-377-010	FORK, RIGHT GEARSHIFT.....	1	
6	29522	24216-333-020	FORK, CENTER GEARSHIFT.....	1	
7	40122	24221-377-000	FORK, LEFT GEARSHIFT.....	1	
8	38614	24300-377-000	DRUM ASSY., GEARSHIFT.....	1	
9	25380	95700-06032	BOLT, FLANGE, 6X32.....	1	
10	19357	24326-300-000	PLATE, GEARSHIFT SIDE.....	1	
11	38616	24321-377-000	PLATE, DRUM STOPPER.....	1	
12	29830	96220-40218	ROLLER, 4X21.8.....	1	
13	29598	91101-333-000	ROLLER, 4X16.8.....	5	
14	29810	96220-40118	ROLLER, 4X11.8.....	1	
15	38615	24304-377-000	CENTER, GEARSHIFT DRUM.....	1	
16	15170	91001-235-300	BEARING RADIAL BALL, 6004.....	1	
17	38618	24610-377-000	SPINDLE COMP., GEARSHIFT.....	1	
18	02616	24641-216-000	SPRING, GEARSHIFT ARM.....	1	
19	38619	24660-377-000	STOPPER COMP., POSITIVE.....	1	
20	29741	95700-06016	BOLT, FLANGE, 6X16.....	1	
21	29533	24651-333-000	SPRING, GEARSHIFT RETURN.....	1	
22	29535	24667-333-020	PIN, RETURN SPRING, 6MM.....	1	
23	29526	24440-333-000	ARM COMP., NEUTRAL STOPPER.....	1	
24	29740	92100-06020	BOLT, HEX., 6X20.....	1	
25	29532	24435-333-000	SPRING, SHIFT DRUM STOPPER.....	1	
26	38617	24430-377-000	STOPPER COMP., GEARSHIFT DRUM.....	1	
27	29525	24436-333-010	SPRING, NEUTRAL STOPPER.....	1	
28	07069	24652-035-000	PIN, SHIFT RETURN SPRING.....	1	
29	15327	91206-286-013	OIL SEAL, 14X28X7.....	1	
30	38621	24710-377-000	ARM COMP., GEAR CHANGE.....	1	
31	05427	92000-06020	BOLT, HEX., 6X20.....	1	
32	40139	90201-700-000	NUT, GOVERNOR ARM FIXING.....	1	
33	38692	90065-377-000	BOLT, TIE ROD.....	1	
34	15606	94001-06000-0S	NUT, HEX., 6MM.....	1	
35	38620	24700-377-000	PEDAL COMP., GEAR CHANGE.....	1	
36	40141	90474-703-000	WASHER, 12MM.....	1	
37	40147	94511-12000	CIRCLIP, 12MM.....	1	
38	25569	95011-40000	RUBBER, CHANGE PEDAL.....	1	