

HONDA

PARTS CATALOG

CL175K3 ~ K6

HC 31537

**AMERICAN HONDA MOTOR CO., INC.
100 WEST ALONDRA BOULEVARD, GARDENA, CALIFORNIA**

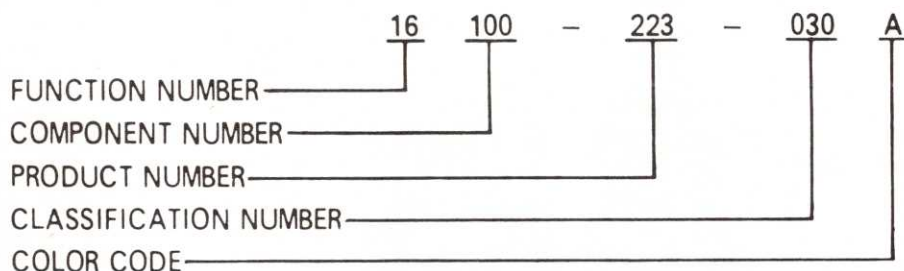
2nd EDITION

PUBLICATION APRIL, 1973.

INSTRUCTION FOR USE OF PARTS CATALOG

PART NUMBERS

The following diagram defines the figures used in the new HONDA PART NUMBER SYSTEM.



When placing a parts order with AMERICAN HONDA, be sure to use the HONDA CODE (H/C) in conjunction with the PART NUMBER.

The HONDA CODE for each item shown will be listed directly to the left of the PART NUMBER. Those part numbers without HONDA CODE are not available.

ISO THREADED PARTS

| Nominal Dia. (Size of Bolt or Nut) | Width Across Flats (Wrench Size) | |
|---------------------------------------|----------------------------------|--------------------------|
| | Present J.I.S. | Modified J.I.S. (I.S.O.) |
| 3 mm | 6 mm | 5.5 mm |
| 4 mm | 8 mm | 7 mm |
| 5 mm | 9 mm | 8 mm |
| 6 mm | 10 mm | 10 mm |
| 8 mm | 14 mm | 12 mm |
| 10 mm | 17 mm | 14 mm |
| 12 mm | 19 mm | 17 mm |
| 14 mm | 21 mm | 19 mm |
| 16 mm | 23 mm | 22 mm |
| 18 mm | 26 mm | 24 mm |
| 20 mm | 29 mm | 27 mm |

New wrenches in the 5.5 mm, 7 mm, 12 mm, 22 mm, 24 mm and 27 mm sizes will be required for the modified bolts and nuts. All other sizes are currently in use.

This change in hex size affects only the wrench sizes; interchangeability of bolts and nuts is not affected.

Change in Thread Pitch – The standard thread pitches for all bolts, nuts, and screws in the 3 mm, 4 mm, 5 mm and 12 mm sizes are changed as indicated below:

| Nominal Dia. | Thread Pitch | |
|--------------|----------------|--------------------------|
| | Present J.I.S. | Modified J.I.S. (I.S.O.) |
| 3 mm | 0.6 | 0.5 |
| 4 mm | 0.75 | 0.7 |
| 5 mm | 0.9 | 0.8 |
| 12 mm | 1.5 | 1.25 |

These changes will affect the interchangeability of threaded parts in these sizes. Care must be taken to use the correct pitch to avoid stripping.

These changes will also require new taps and dies.

To help avoid confusion in the 3 mm, 4 mm, 5 mm and 12 mm size, wherein the thread pitch has been changed, the modified J.I.S. (I.S.O.) threaded parts used by Honda will be marked such that they can be readily identified. The marks used are as follows:

| PART TYPE | DESCRIPTION OF MARKING |
|-------------------------|--|
| STD. HEX BOLT | A number, indicating the strength of the bolt, will be embossed on the top of the bolt head. This mark will appear on modified J.I.S. (I.S.O.) bolts of all sizes , but as explained above all sizes except 4 mm, 5 mm, and 12 mm (there are no 3 mm hex bolts) will interchange with the present J.I.S. parts. |
| SLOTTED HEX BOLT | There will be a hemispherical embossment (bump) on the top of the bolt head in the 4 mm and 5 mm sizes (3 mm and 12 mm slotted hex bolts are not in use). |
| CAP BOLT | There will be a hemispherical dimple on the side of the bolt head in the 4 mm, 5 mm and 12 mm sizes (3 mm not in use). |
| STUD BOLT | There will be a hemispherical dimple or embossment on the nut end in the 5 mm and 12 mm sizes (3 mm and 4 mm studs are not in use). |
| ALL CROSS RECESS SCREWS | There will be a hemispherical embossment on the top of the screw head in the 3 mm, 4 mm and 5 mm sizes (12 mm not used). |

ALL NUTS

There will be a hemispherical dimple on **either the top or side** of the nut in all sizes with changed pitch. This will also apply to nuts that are permanently welded to other parts.

All mechanics and parts department personnel should read and understand this change-over, to avoid confusion and damage to threaded parts.

ENGINE AND FRAME SERIAL NUMBERS

The engine and frame numbers should be checked prior to ordering parts for a specific motorcycle. HONDA engine numbers are located on the left portion of the engine and frame numbers on the left side of the frame body.

Parts list serial numbers are coded (E) for ENGINE and (F) for FRAME to assist you in identification.

Modified parts will show ENGINE or FRAME serial number in the remark column. These numbers will designate the start (FROM) and finish (TO) production run for that item listed to its left.

Newly introduced items will be listed from initial part installation serial numbers.

ILLUSTRATIONS

To aid identification of PARTS, (exploded) illustrations are incorporated in this catalogue. Available items in the illustrations are identified by NUMBERS which correspond with the PARTS descriptions on the PARTS list.

A separate PARTS list is provided for each illustration. Reference numbers on the PARTS list duplicate identification numbers on the illustration for assistance in choosing the correct PART. Addition to the numerical reference numbers, we have used numeral-alphabet reference numbers for the convenience of adding new PARTS to the PARTS list.

Find the illustration of PART you require and check the accompanying PARTS list for its HONDA CODE, NEW PART NUMBER, DESCRIPTION, etc.

PARTS RETURN

PARTS may not be returned to AMERICAN HONDA without prior written authorization. Written authorization may be obtained by writing to AMERICAN HONDA MOTOR CO., INC., 100 West Alondra Blvd., Gardena, California 90247. We will correct any error which we were of primary fault. This would cover damaged

PARTS, (not caused in mishandling by the delivery source), wrong parts, incorrect quantities, etc. Advise us of discrepancies within five (5) days of receipt. AMERICAN HONDA is not responsible for PARTS – returned to us without written authorization.

ADDITIONAL INFORMATION

1. Dimensions of the PARTS in this catalogue are indicated in millimeter units.
2. L or R in the description of a PART stands for the LEFT hand side or the RIGHT hand side, which is decided by the direction of travel of the vehicle.
3. Many standard items, SPARK PLUGS, BOLTS, NUTS, WASHERS, PINS, which are in constant use are sold in multiples of ten and consideration when placing your order is advised.

4. ABBREVIATIONS

ASSY. – Assembly

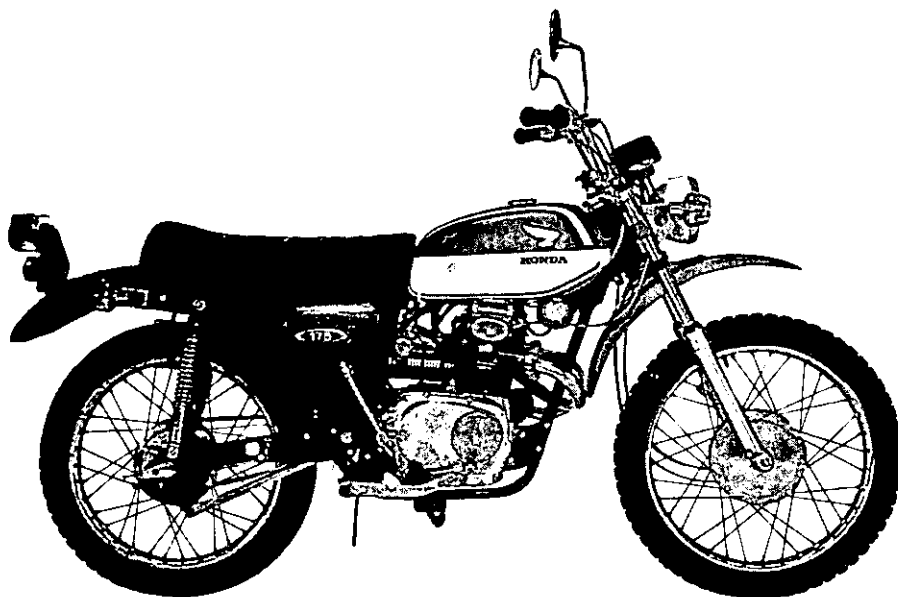
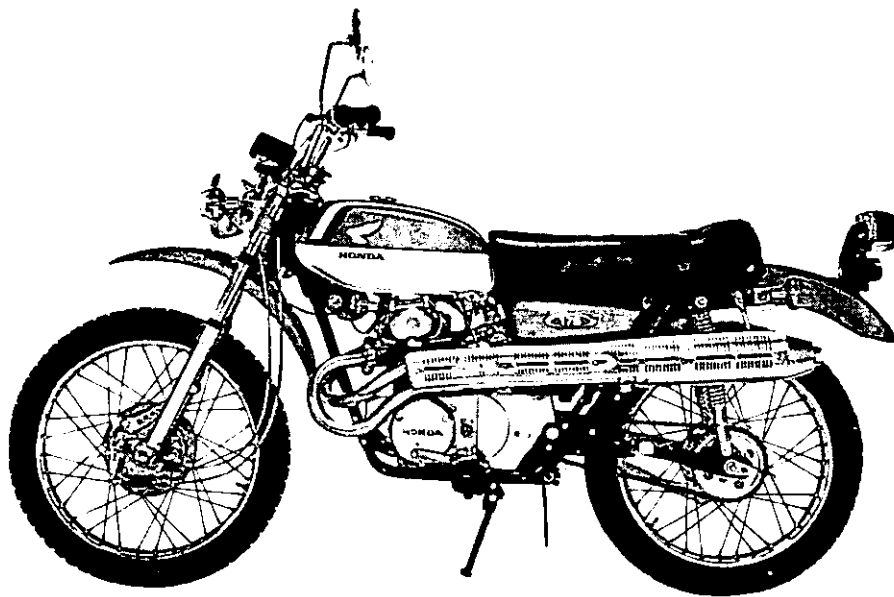
COMP. – Complete

REF. – Reference

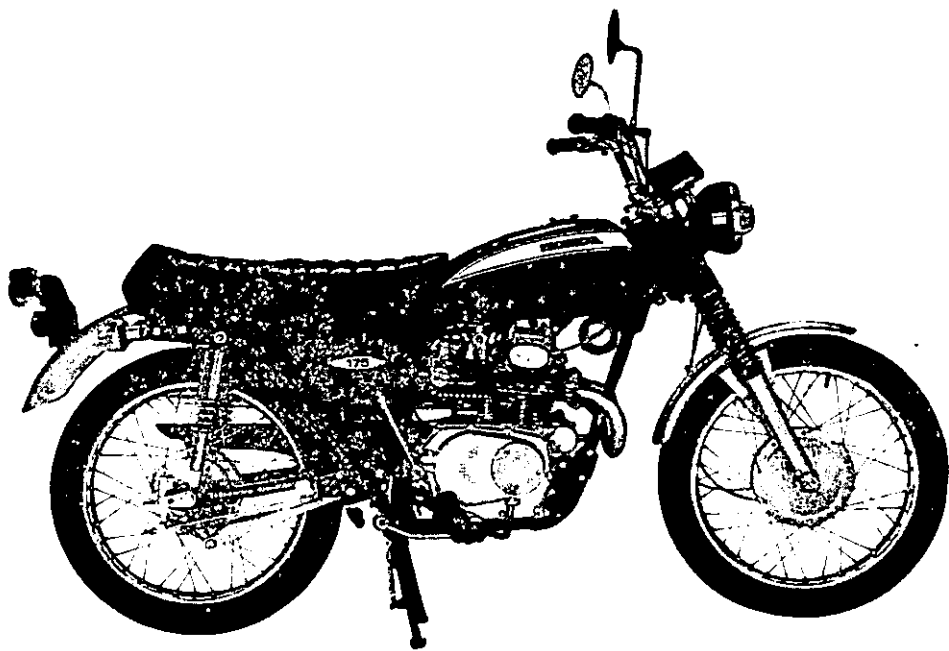
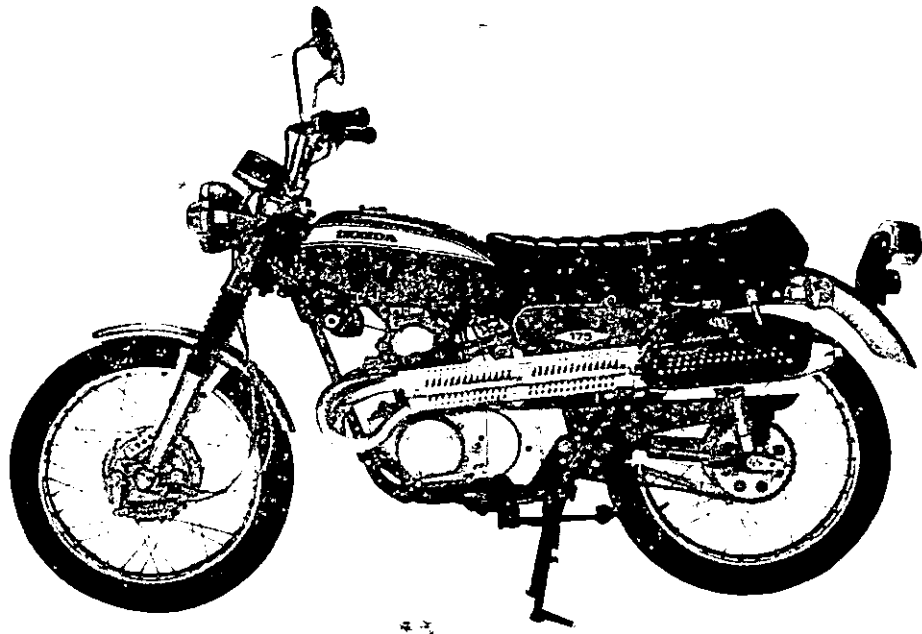
HEX. – Hexagonal

ADJ. – Adjusting

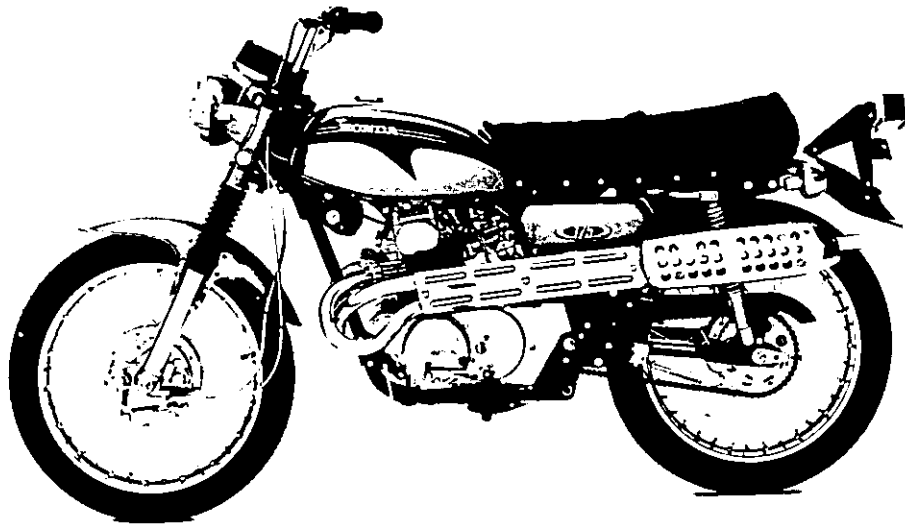
STD. – Standard



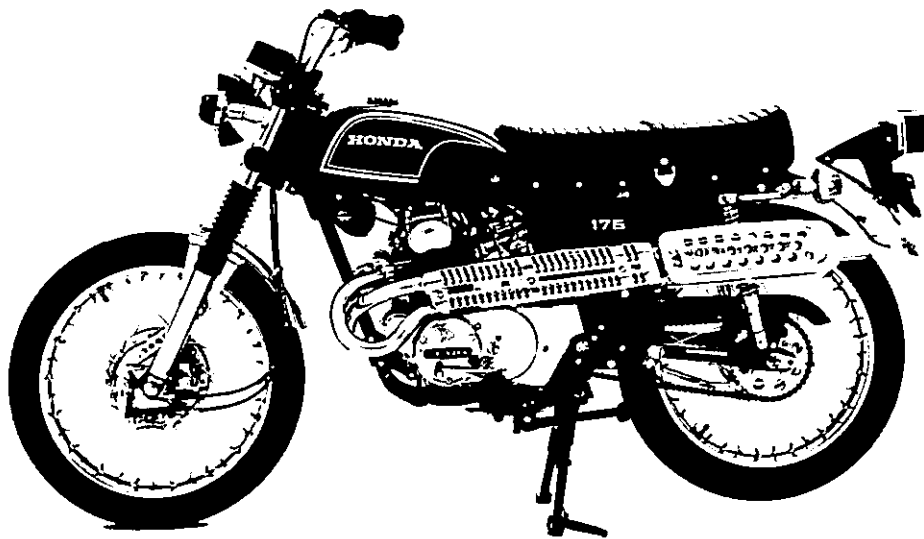
CL 175K3



CL175K4



CL175K5



CL175K6

| | | | |
|---------|-------------|----------------|----|
| CL175K3 | ENGINE NO.: | CL175E-4000001 | TO |
| | FRAME NO.: | CL175 -4000001 | TO |
| CL175K4 | ENGINE NO.: | CL175E-5000001 | TO |
| | FRAME NO.: | CL175 -5000001 | TO |
| CL175K5 | ENGINE NO.: | CL175E-6000001 | TO |
| | FRAME NO.: | CL175 -6000001 | TO |
| CL175K6 | ENGINE NO.: | CL175E-7000001 | TO |
| | FRAME NO.: | CL175 -7000001 | TO |

PARTS CATALOG
 CL175K3/K4/K5/K6
 H/C 31537

OWNERS MANUAL

| | | |
|---------|-----|-------|
| CL175K3 | H/C | 19896 |
| CL175K4 | H/C | 21277 |
| CL175K5 | H/C | 24400 |
| CL175K6 | H/C | 27661 |

SHOP MANUAL

| | | |
|---------|-----|-------|
| CL175K3 | H/C | 19899 |
| CL175K4 | H/C | 19899 |
| CL175K5 | H/C | 24411 |
| CL175K6 | H/C | 34208 |



Contents

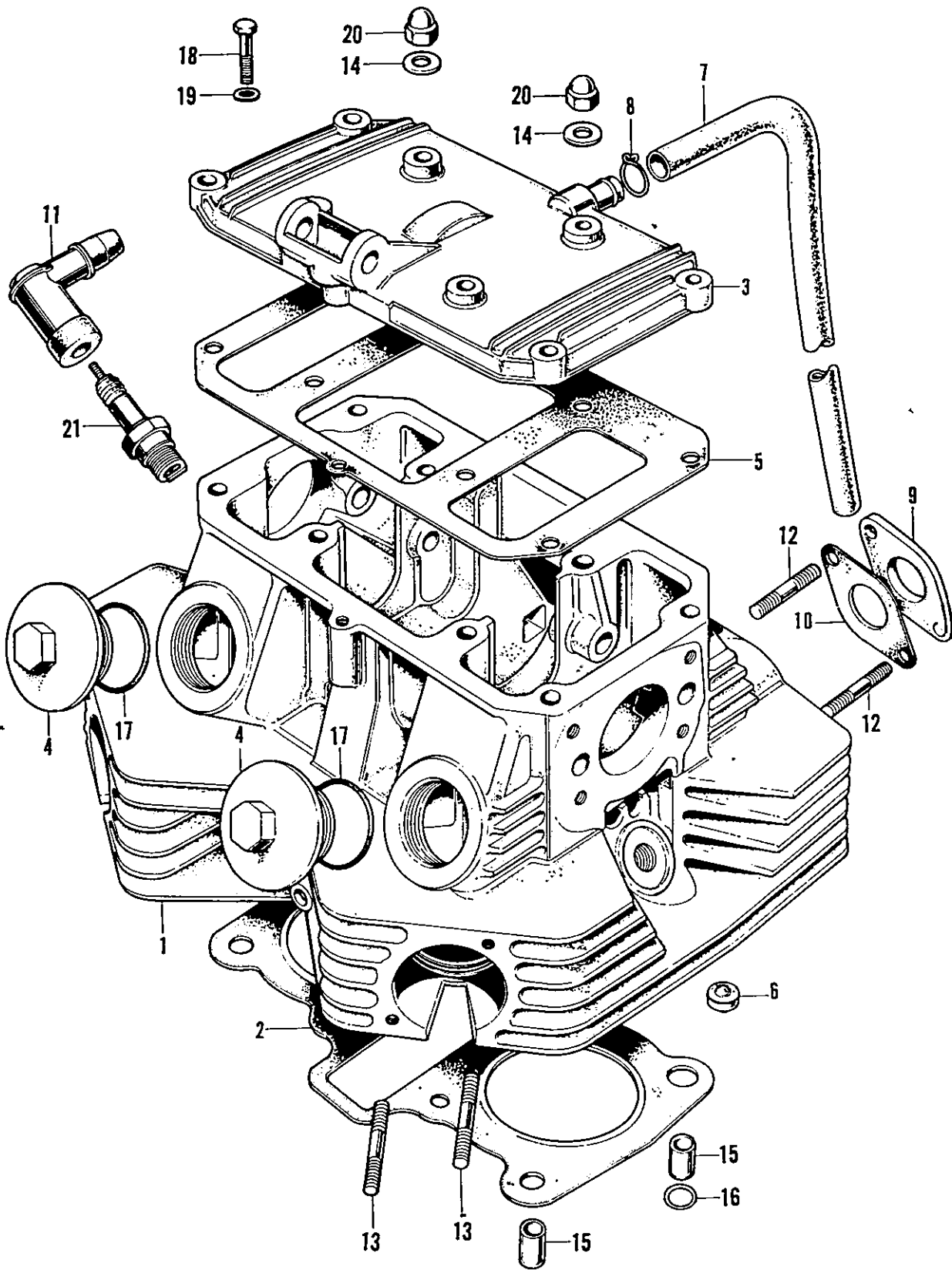
ENGINE GROUP

| | PAGE |
|--|------|
| CYLINDER HEAD • HEAD COVER • SPARK PLUG..... | 2 |
| RIGHT CYLINDER HEAD COVER..... | 4 |
| BREAKER • SPARK ADVANCER..... | 6 |
| CAMSHAFT • VALVE..... | 8 |
| CYLINDER • PISTON..... | 10 |
| CAM CHAIN • TENSIONER..... | 12 |
| RIGHT CRANKCASE COVER..... | 14 |
| CLUTCH..... | 16 |
| OIL FILTER • OIL PUMP..... | 18 |
| LEFT CRANKCASE COVER..... | 20 |
| A.C. GENERATOR • NEUTRAL SWITCH..... | 22 |
| STARTING MOTOR..... | 24 |
| CRANKSHAFT..... | 26 |
| TRANSMISSION..... | 28 |
| GEAR SHIFT FORK • DRUM..... | 30 |
| GEAR SHIFT SPINDLE • CHANGE PEDAL..... | 32 |
| KICK STARTER..... | 34 |
| UPPER CRANKCASE..... | 36 |
| LOWER CRANKCASE..... | 38 |
| RIGHT CARBURETOR..... | 40 |
| LEFT CARBURETOR..... | 42 |

FRAME GROUP

| | |
|--|-----|
| HANDLE SWITCH • CABLE..... | 44 |
| HANDLE BAR..... | 48 |
| STEERING STEM..... | 50 |
| FRONT FENDER..... | 52 |
| FRONT CUSHION (CL175K3)..... | 54 |
| FRONT CUSHION (CL175K4/K5/K6)..... | 56 |
| FRONT BRAKE SHOE • PANEL..... | 60 |
| FRONT WHEEL..... | 62 |
| FUEL TANK (CL175K3)..... | 64 |
| FUEL TANK (CL175K4/K5/K6)..... | 66 |
| AIR CLEANER (CL175K3)..... | 70 |
| AIR CLEANER • CASE • TOOL BOX (CL175K4/K5)..... | 72 |
| AIR CLEANER • CASE (CL175K6)..... | 74 |
| EXHAUST MUFFLER (CL175K3)..... | 76 |
| EXHAUST MUFFLER (CL175K4/K5/K6)..... | 78 |
| DOUBLE SEAT (CL175K3/K4/K5)..... | 80 |
| DOUBLE SEAT (CL175K6)..... | 82 |
| REAR FENDER • TOOL BOX..... | 84 |
| REAR CUSHION..... | 86 |
| REAR BRAKE • PANEL..... | 88 |
| REAR WHEEL..... | 90 |
| DRIVE CHAIN • CASE • REAR FORK..... | 92 |
| BRAKE PEDAL • MAIN STAND • STEP..... | 94 |
| FRAME BODY..... | 100 |
| SPEEDOMETER • TACHOMETER..... | 102 |
| HEADLIGHT • CASE..... | 104 |
| WINKER..... | 106 |
| TAILLIGHT (CL175K3/K4)..... | 108 |
| TAILLIGHT (CL175K5)..... | 110 |
| TAILLIGHT (CL175K6)..... | 112 |
| BATTERY • SELEN • MAGNETIC SWITCH..... | 114 |
| WIRE HARNESS • IGNITION COIL • COMBINATION SWITCH..... | 118 |
| TOOL SET..... | 120 |
| GASKET SET..... | 122 |
| SPECIAL TOOLS..... | 123 |
| INDEX..... | 124 |

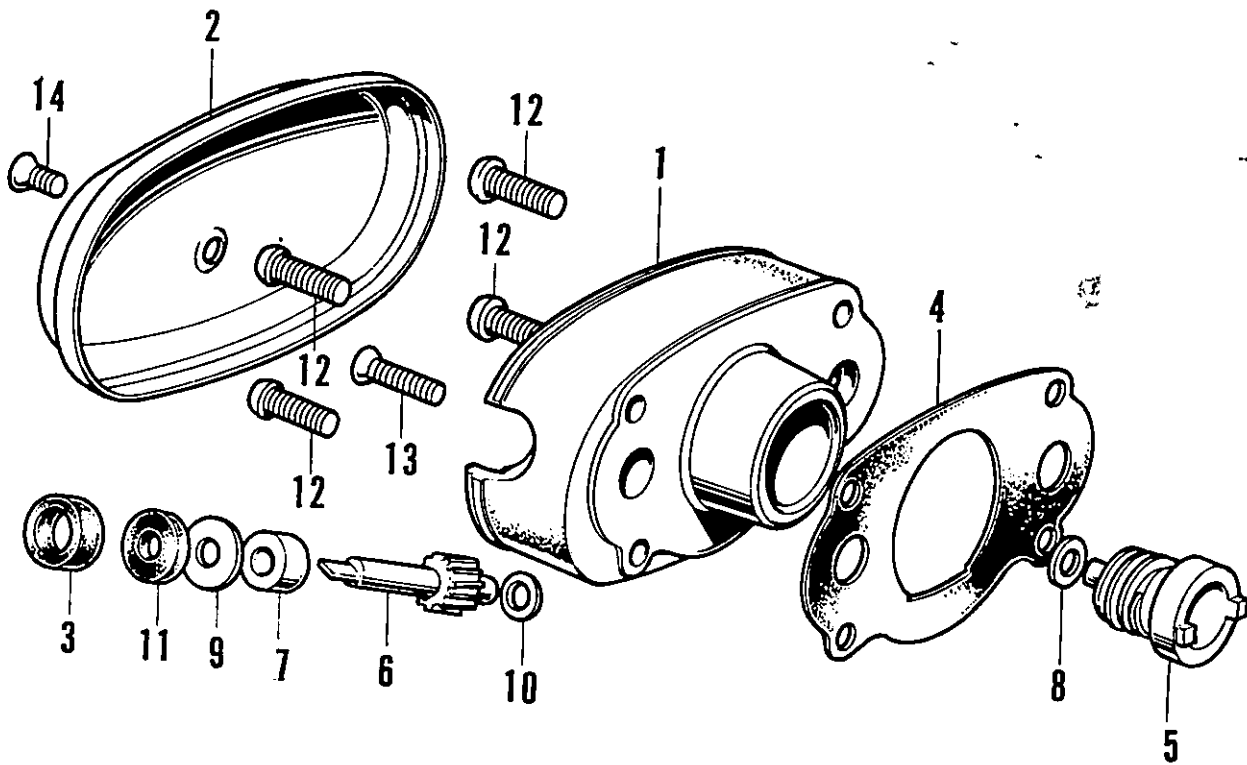
Cylinder Head · Head Cover · Spark Plug



CYLINDER HEAD. HEAD COVER

| Ref. No. | H/C | Part Number | Description | CL175 | | | | Remarks |
|----------|-------|----------------|--|-------|----|----|----|------------------------------------|
| | | | | K3 | K4 | K5 | K6 | |
| 1 | 20858 | 12200-315-000 | HEAD COMP., CYLINDER..... (SUPERSEDED BY 12200-315-010) | 1 | 1 | 1 | 1 | |
| | 33199 | 12200-315-010 | HEAD COMP., CYLINDER..... | 1 | 1 | 1 | 1 | |
| 2 | 14702 | 12251-235-000 | GASKET, CYLINDER HEAD..... | 1 | 1 | 1 | 1 | |
| 3 | 19558 | 12300-302-010 | COVER COMP., CYLINDER HEAD. | 1 | 1 | 1 | 1 | |
| 4 | 17388 | 12361-246-000 | CAP, TAPPET ADJUSTING HOLE..... | 4 | 4 | 4 | 4 | |
| 5 | 02256 | 12391-216-000 | GASKET, CYLINDER HEAD COVER..... | 1 | 1 | 1 | 1 | |
| 6 | 15207 | 12620-286-000 | RUBBER, INSERT..... | 4 | 4 | 4 | 4 | |
| 7 | 26027 | 15761-292-030 | TUBE, BREATHER..... | 1 | 1 | 1 | 1 | |
| 8 | 14288 | 15772-292-010 | CLIP, BREATHER TUBE..... | 1 | 1 | 1 | 1 | |
| 9 | 19575 | 16211-304-000 | INSULATOR, CARBURETOR..... | 2 | 2 | 2 | 2 | |
| 10 | 14710 | 16229-235-000 | GASKET, CARBURETOR INSULATOR..... | 2 | 2 | 2 | 2 | |
| 11 | 10039 | 30700-259-810 | CAP, ASSY., NOISE SUPPRESSOR..... | 2 | 2 | 2 | 2 | |
| 12 | 10072 | 90041-259-000 | BOLT, STUD, 6X36..... | 4 | - | - | - | |
| | 13822 | 90044-259-000 | BOLT, STUD, 6X36..... | - | 4 | 4 | 4 | |
| 13 | 17145 | 90063-235-000 | BOLT, STUD, 6X50..... | 4 | 4 | 4 | 4 | |
| 14 | 17267 | 90441-286-000 | WASHER, SEALING, 8MM..... | 8 | 8 | 8 | 8 | |
| 15 | 06933 | 94301-10140 | PIN, KNOCK, 10X14..... | 6 | 4 | 4 | 4 | |
| 16 | 02267 | 91301-200-000 | O RING, 10X1.6..... | 2 | 2 | 2 | 2 | |
| 17 | 02269 | 91302-216-000 | O RING, 35.5MM..... | 4 | 4 | 4 | 4 | |
| 18 | 05434 | 92000-06028 | BOLT, HEX., 6X28..... | 1 | 1 | 1 | 1 | E CL175E-1000001 TO CL175E-7030183 |
| | 29203 | 95700-06028 | BOLT, FLANGE, 6X28..... | - | - | - | 1 | E CL175E-7030184 TO |
| 19 | 05907 | 94101-06000 | WASHER, PLAIN, 6MM..... | 1 | 1 | 1 | 1 | E CL175E-1000001 TO CL175E-7030183 |
| 20 | 16952 | 94021-08020-05 | NUT, HEX., CAP, 8MM..... | 8 | 8 | 8 | 8 | |
| 21 | 12115 | 98066-58714 | PLUG, SPARK, *D8HS*..... | 2 | 2 | 2 | 2 | |
| | 25102 | 98066-58723 | PLUG, SPARK, *X24FS*..... | 2 | 2 | 2 | 2 | |

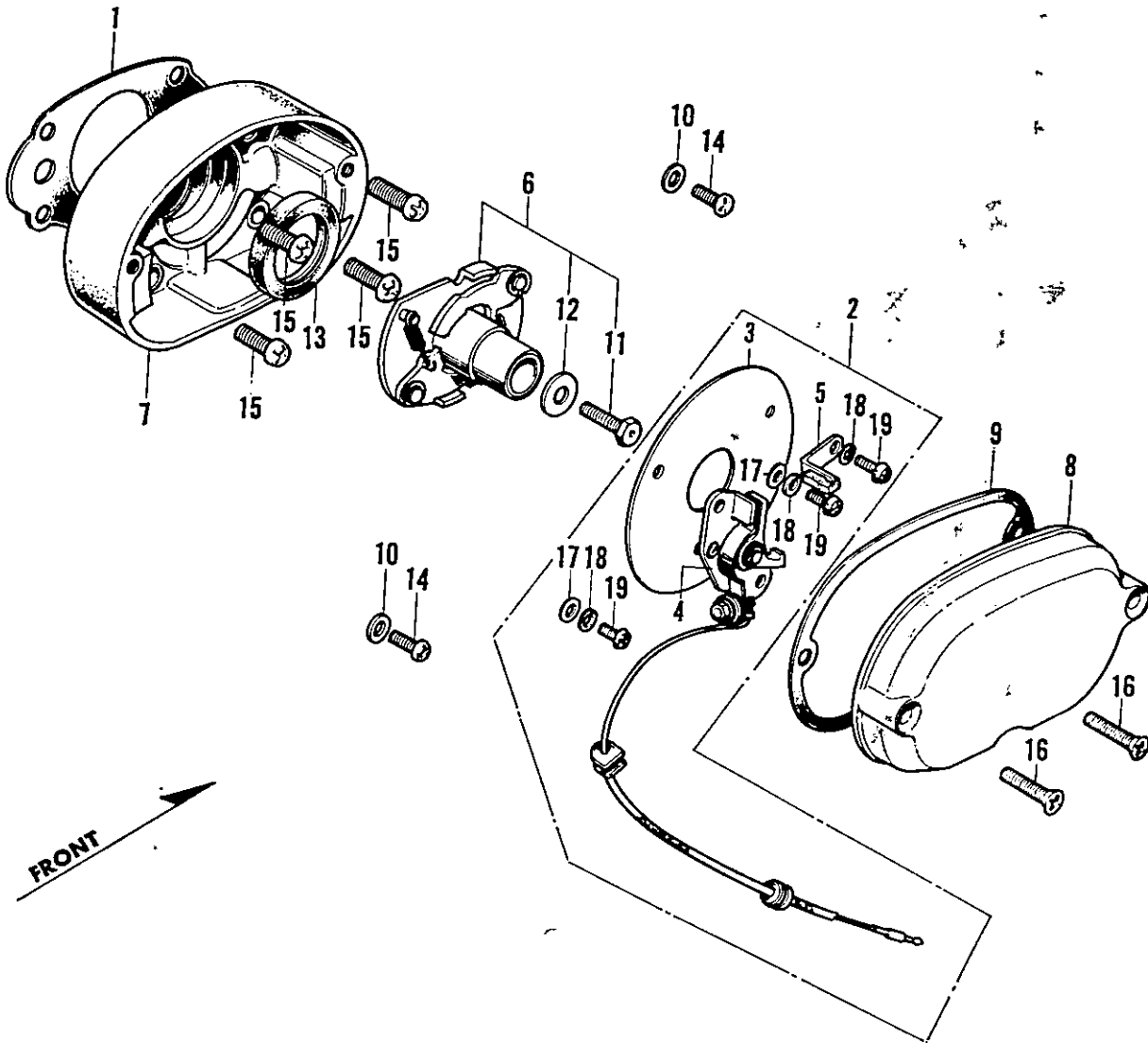
Right Cylinder Head Cover



RIGHT CYLINDER HEAD COVER

| Ref. No. | H/C | Part Number | Description | CL175 | | | | Remarks |
|-------------|-------|----------------|--|-------|----|----|----|---------|
| | | | | K3 | K4 | K5 | K6 | |
| 1 | 19559 | 12331-306-020 | COVER, RIGHT CYLINDER HEAD..... | 1 | 1 | 1 | 1 | |
| 2 | 19560 | 12332-306-010 | COVER, TACHOMETER..... | 1 | 1 | 1 | 1 | |
| 3 | 19561 | 12339-306-000 | GROMMET, TACHOMETER CABLE..... | 1 | 1 | 1 | 1 | |
| 4 | 02258 | 12394-216-000 | GASKET, RIGHT CYLINDER HEAD SIDE..... COVER | 1 | 1 | 1 | 1 | |
| 5 | 19562 | 12421-306-010 | PINION, TACHOMETER..... | 1 | 1 | 1 | - | |
| | 27164 | 12421-338-000 | PINION, TACHOMETER..... | - | - | - | 1 | |
| 6 | 19541 | 12431-246-000 | GEAR, TACHOMETER..... | 1 | 1 | 1 | 1 | |
| 7 | 19542 | 12435-246-000 | COLLAR, TACHOMETER GEAR TRUST..... | 1 | 1 | 1 | 1 | |
| 8 | 16355 | 90401-819-000 | WASHER, 6MM..... | 1 | 1 | 1 | 1 | |
| 9 | 17279 | 90458-286-000 | WASHER, TACHOMETER GEAR THRUST..... | 1 | 1 | 1 | 1 | |
| 10 | 01238 | 90539-011-000 | WASHER, SPEEDOMETER PINION..... | 1 | 1 | 1 | 1 | |
| 11 | 17278 | 91211-286-003 | OIL SEAL, 4.8X14,5X4..... | 1 | 1 | 1 | 1 | |
| 12 | 05749 | 93500-06020 | SCREW, PAN, 6X20..... | 4 | 4 | 4 | 4 | |
| 13 | 19742 | 93600-05022-OA | SCREW, FLAT, 5X22..... | 1 | 1 | 1 | 1 | |
| 14 | 19743 | 93700-05008-OA | SCREW, OVAL, 5X8..... | 1 | - | - | - | |
| | 20860 | 93700-05010-OA | SCREW, OVAL, 5X10..... | - | 1 | 1 | 1 | |

Breaker · Spark Advancer



BREAKER . ADVANCER

| Ref. No. | H/C | Part Number | Description | CL175 | | | | Remarks |
|----------|-------|----------------|--|-------|----|----|----|---------|
| | | | | K3 | K4 | K5 | K6 | |
| 1 | 02258 | 12394-216-000 | GASKET, RIGHT SIDE COVER..... | 1 | 1 | 1 | 1 | |
| 2 | 14782 | 30200-235-015 | BREAKER ASSY., CONTACT..... | 1 | 1 | 1 | 1 | |
| • 3 | 17684 | 30201-235-004 | PLATE, CONTACT BREAKER BASE *DENSO*... | 1 | 1 | 1 | 1 | |
| • | 17685 | 30201-235-015 | PLATE, CONTACT BREAKER BASE *HITACHI*. | 1 | 1 | 1 | 1 | |
| • 4 | 21619 | 30202-107-004 | BREAKER, CONTACT *DENSO*..... | 1 | 1 | 1 | 1 | |
| • | 02486 | 30202-216-005 | BREAKER, CONTACT *HITACHI*..... | 1 | 1 | 1 | 1 | |
| 5 | 02491 | 30205-216-004 | FELT, OIL..... | 1 | 1 | 1 | 1 | |
| | 02489 | 30205-216-005 | FELT, OIL..... | 1 | 1 | 1 | 1 | |
| 6 | 20859 | 30220-307-005 | ADVANCER ASSY., SPARK..... | 1 | 1 | 1 | 1 | |
| 7 | 17687 | 30361-235-000 | BASE, POINT..... | 1 | 1 | 1 | 1 | |
| 8 | 02245 | 30370-216-000 | COVER, POINT..... | 1 | 1 | 1 | 1 | |
| 9 | 02260 | 30391-216-000 | GASKET, POINT COVER..... | 1 | 1 | 1 | 1 | |
| 10 | 02502 | 30903-216-000 | WASHER, BREAKER LOCK..... | 2 | 2 | 2 | 2 | |
| 11 | 17689 | 90001-235-000 | BOLT, SET, 5X20..... | 1 | 1 | 1 | 1 | |
| 12 | 19799 | 90427-816-650 | WASHER, SPECIAL, 5MM..... | 1 | - | - | - | |
| | 15893 | 90427-816-000 | WASHER, SPECIAL, 5MM..... | - | 1 | 1 | 1 | |
| • 13 | | 91204-216-000 | NOT AVAILABLE USE, 91204-216-003..... | | | | | |
| • | 32586 | 91204-216-003 | OIL SEAL, 20X35X5.5..... | 1 | 1 | 1 | 1 | |
| 14 | 17356 | 93500-05012-0A | SCREW, PAN, 5X12..... | 2 | 2 | 2 | 2 | |
| 15 | 05749 | 93500-06020 | SCREW, PAN, 6X20..... | 5 | - | - | - | |
| | 05745 | 93500-06016 | SCREW, PAN, 6X16..... | - | 4 | 4 | 4 | |
| 16 | 17688 | 93700-05025-0A | SCREW, OVAL, 5X25..... | 2 | 2 | 2 | 2 | |
| 17 | 05904 | 94101-04000 | WASHER, PLAIN, 4MM..... | - | 2 | 2 | 2 | |
| 18 | 05895 | 94111-04000 | WASHER, SPRING, 4MM..... | 3 | 3 | 3 | 3 | |
| 19 | 17024 | 99500-04005-0A | SCREW, PAN HOLLOW, 4X5..... | 3 | 3 | 3 | 3 | |

Camshaft · Valve

