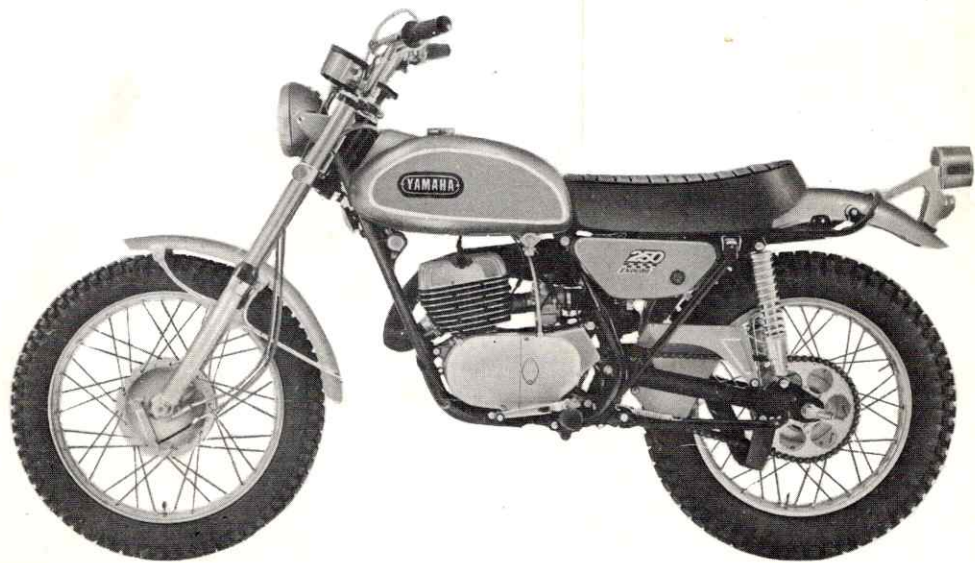
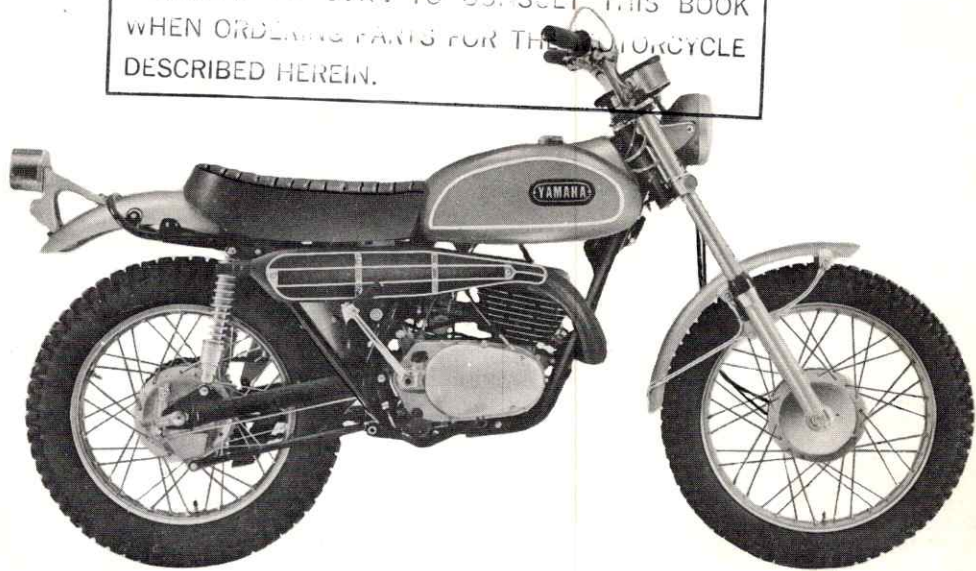


YAMAHA DT-1B

ISO

ALTHOUGH NOT INDIVIDUALLY IDENTIFIED, SOME OF THE PARTS LISTED BELOW, WITHOUT READING PLEASE TAKE CARE TO CONSULT THIS BOOK WHEN ORDERING PARTS FOR THE MOTORCYCLE DESCRIBED HEREIN.



Instructions on Parts List

YAMAHA DT-1B

1. DIMENSIONS: All dimensions are given in millimeters with the exception of steel balls which are given in inches.

2. KEY TO SYMBOLS:

R.H.	Right hand side (Viewed from the rider's seat facing forward)
L.H.	Left hand side (Viewed from the rider's seat facing forward)
S.R.	Suggested retail price
UR	Use size (thickness) and and/or numbers as required
☆	Government inspected parts
△	Not supplied as a single part
S	Indicates "S" shaped circlip
E	Indicates "E" shaped circlip
R	Indicates "R" shaped circlip
T	Number of teeth in a gear
V	Voltage for light bulbs
W	Wattage for light bulbs
L	Length
S	"S" type oil seal
SD	"SD" type oil seal
SO	"SO" type oil seal
SW	"SW" type oil seal

3. COMPONENT PARTS: Component parts of an assembly are preceded by a dot (.) as follows:

KICK CRANK ASS'Y
. WASHER, spring)
. LEVER, kick) Component parts
. PIN)

Component parts which are mounted on either side of the m/c. are listed in the following sequence:

- 5a). - Parts to be mounted on "LEFT SIDE" are listed first.
- 5b). - Parts to be mounted on "RIGHT SIDE" are listed second.
- 5c). - Parts which can be mounted on "EITHER SIDE" are listed next to the above parts. -

You are requested to be very careful, when ordering, not to make a mistake in stating the part numbers, since only a single wrong figure will entirely change the contents and will cause you to receive quite a different part.

We believe that this introduction will prove a great help to you, but if you have any ambiguous point, please do not hesitate to contact us.

CONTENTS

ENGINE

Fig. 1	Crank Case	1
Fig. 2	Crank Case Cover	3
Fig. 3	Crank Shaft & Piston	5
Fig. 4	Clutch	7
Fig. 5	Transmission Gear	9
Fig. 6	Shifter (A)	13
Fig. 7	Shifter (B)	15
Fig. 8	Kick	17
Fig. 9	Tachometer Gear	19
Fig. 10	Air Cleaner	21
Fig. 11	Carburetor	23
Fig. 12	Muffler	27
Fig. 13	Oil Pump	29
Fig. 14	Flywheel Magneto	33

CHASSIS

Fig. 15	Frame	37
Fig. 16	Rear Arm & Chain Case	41
Fig. 17	Stand, Foot Rest & Rear Brake Pedal	43
Fig. 18	Front Fork	45
Fig. 19	Handle & Wire	51
Fig. 20	Fuel Tank	53
Fig. 21	Oil Tank	55
Fig. 22	Seat	57
Fig. 23	Front Wheel	59
Fig. 24	Rear Wheel	63
Fig. 25	Head Lamp, Tail Lamp & Speedometer	67
Fig. 26	Electrical	71

NUMERICAL INDEX

ENGINE



1950

1951

1

2

3

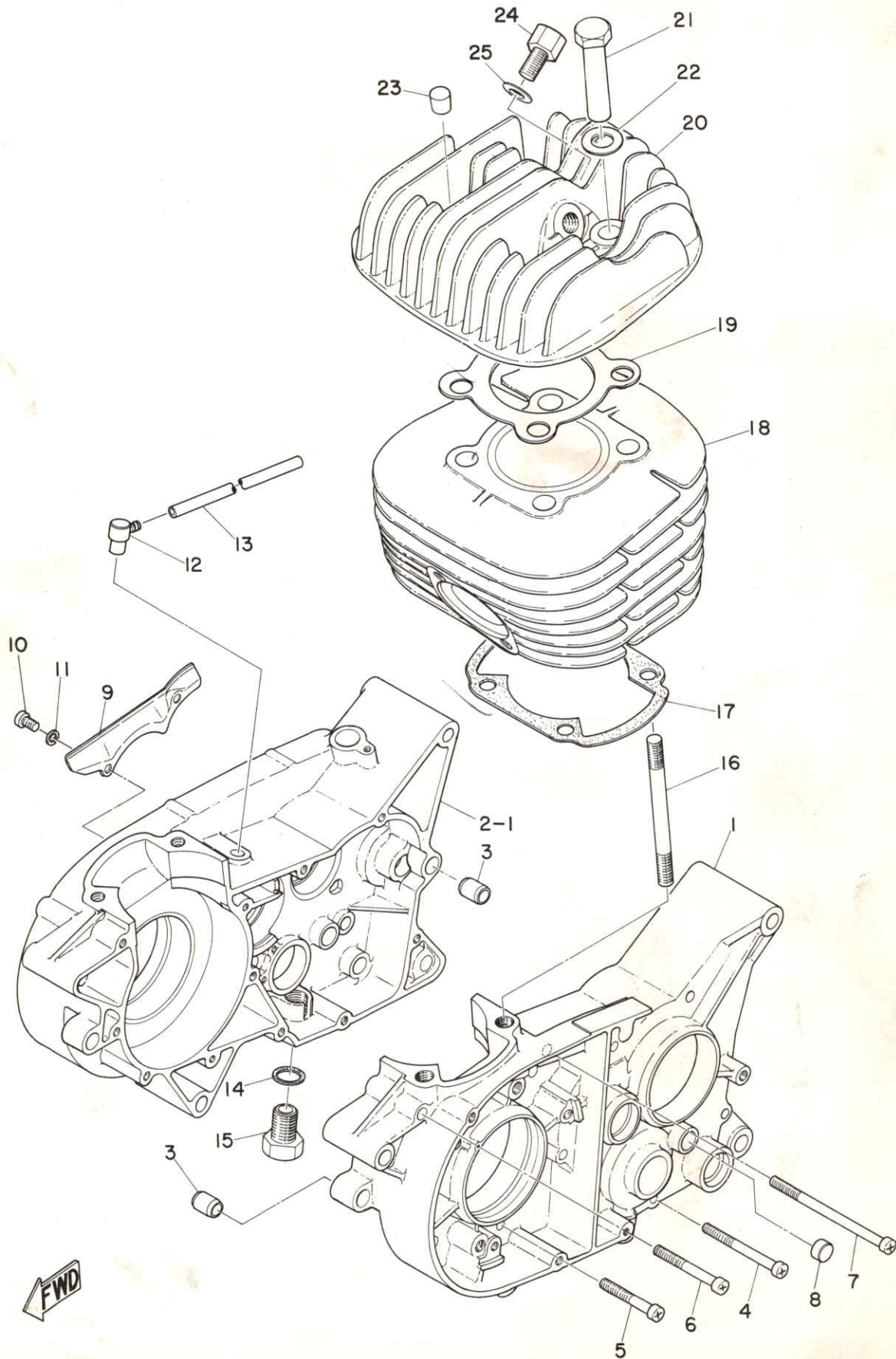
4

5

6

7

Fig. 1 CRANK CASE



CRANK CASE

Ref No.	Parts No.	Parts Name	Description	Q'ty	S-R	Remarks
1-1	214-15111-00 291-15111-00	CASE, crank (L.H)		1		MUST USE Rubber Plug (1-26)
1-2	214-15121-00 291-15121-00	CASE, crank (R.H)		1		NEED NEW BEARING, Circlip AND Rubber plug
1-3	91800-05016	PIN, dowel	8.5-12-16	2		(Ref #5 S-38, S-39, §1-26)
1-4	92501-06065	SCREW, pan head		6		SEE PARTS NEWS #308A
1-5	92501-06045	SCREW, pan head		5		
1-6	92501-06060	SCREW, pan head		1		
1-7	92501-06065	SCREW, pan head		1		
1-8	214-15385-00	PLUG, blind		1		
1-9	214-15492-00	COVER		1		
1-10	98501-05010	SCREW, pan head		2		
1-11	92901-05100	WASHER, spring		2		
1-12	120-15371-00	BREATHER		1		
1-13	214-15373-00	PIPE, breather	5-7-130	1		
1-14	137-15353-00	GASKET, drain plug	14.5-21-1.5	1		
1-15	214-15351-00	PLUG, drain		1		
1-16	214-11361-00	BOLT, cylindr holding 1	10-112	4		
1-17	214-11351-00	GASKET, cylinder		1		
1-18	233-11311-00	CYLINDER		1		
1-19	214-11181-01	GASKET, cylinder head		1		
1-20	233-11111-00	HEAD, cylinder		1		
1-21	214-11171-00	NUT, holding		4		
1-22	214-11175-00	WASHER, holding	15-26-2	4		
1-23	214-11161-00	ABSORBER		4		
1-24	214-11197-00	PLUG, blind		1		
1-25	214 214-11198-00	GASKET		1		
1-26	214-15385-00	Blind Plug, Rubber		2		

Fig. 2 CRANKCASE COVER

