

HONDA

PARTS CATALOG

E 2500 K2

HC 43548

P 8186

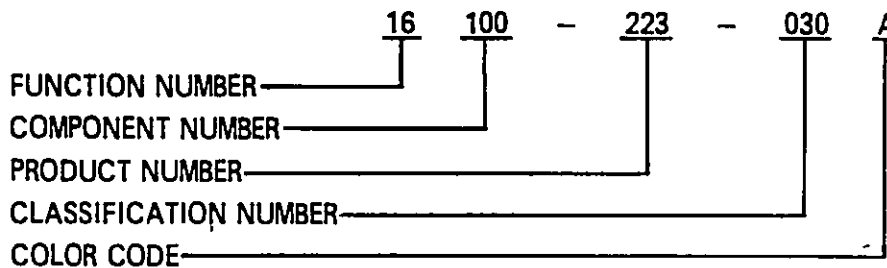
AMERICAN HONDA MOTOR CO., INC.
100 WEST ALONDRA BOULEVARD, GARDENA, CALIFORNIA

OCTOBER, 1975

INSTRUCTION FOR USE OF PARTS CATALOG

PART NUMBERS

The following diagram defines the figures used in the new HONDA PART NUMBER SYSTEM.



When placing a parts order with AMERICAN HONDA, be sure to use the HONDA CODE (H/C) in conjunction with the PART NUMBER.

The HONDA CODE for each item shown will be listed directly to the left of the PART NUMBER. Those part numbers without HONDA CODE are not available.

ISO THREADED PARTS

Nominal Dia. (Size of Bolt or Nut)	Width Across Flats (Wrench Size)	
	Present J.I.S.	Modified J.I.S. (I.S.O.)
3 mm	6 mm	5.5 mm
4 mm	8 mm	7 mm
5 mm	9 mm	8 mm
6 mm	10 mm	10 mm
8 mm	14 mm	12 mm
10 mm	17 mm	14 mm
12 mm	19 mm	17 mm
14 mm	21 mm	19 mm
16 mm	23 mm	22 mm
18 mm	26 mm	24 mm
20 mm	29 mm	27 mm

New wrenches in the 5.5 mm, 7 mm, 12 mm, 22 mm, 24 mm and 27 mm sizes will be required for the modified bolts and nuts. All other sizes are currently in use.

This change in hex size affects only the wrench sizes; interchangeability of bolts and nuts is not affected.

Change in Thread Pitch – The standard thread pitches for all bolts, nuts, and screws in the 3 mm, 4 mm, 5 mm and 12 mm sizes are changed as indicated below:

<u>Nominal Dia.</u>	<u>Thread Pitch</u>	
	<u>Present J.I.S.</u>	<u>Modified J.I.S. (I.S.O.)</u>
3 mm	0.6	0.5
4 mm	0.75	0.7
5 mm	0.9	0.8
12 mm	1.5	1.25

These changes will affect the interchangeability of threaded parts in these sizes. Care must be taken to use the correct pitch to avoid stripping.

These changes will also require new taps and dies.

To help avoid confusion in the 3 mm, 4 mm, 5 mm and 12 mm size, wherein the thread pitch has been changed, the modified J.I.S. (I.S.O.) threaded parts used by Honda will be marked such that they can be readily identified. The marks used are as follows:

<u>PART TYPE</u>	<u>DESCRIPTION OF MARKING</u>
STD. HEX BOLT	A number, indicating the strength of the bolt, will be embossed on the top of the bolt head. This mark will appear on modified J.I.S. (I.S.O.) bolts of all sizes, but as explained above all sizes except 4 mm, 5 mm, and 12 mm (there are no 3 mm hex bolts) will interchange with the present J.I.S. parts.
SLOTTED HEX BOLT	There will be a hemispherical embossment (bump) on the top of the bolt head in the 4 mm and 5 mm sizes (3 mm and 12 mm slotted hex bolts are not in use).
CAP BOLT	There will be a hemispherical dimple on the side of the bolt head in the 4 mm, 5 mm and 12 mm sizes (3 mm not in use).
STUD BOLT	There will be a hemispherical dimple or embossment on the nut end in the 5 mm and 12 mm sizes (3 mm and 4 mm studs are not in use).
ALL CROSS RECESS SCREWS	There will be a hemispherical embossment on the top of the screw head in the 3 mm, 4 mm and 5 mm sizes (12 mm not used).

ALL NUTS There will be a hemispherical dimple on **either the top or side** of the nut in all sizes with changed pitch. This will also apply to nuts that are permanently welded to other parts.

All mechanics and parts department personnel should read and understand this change-over, to avoid confusion and damage to threaded parts.

ENGINE AND FRAME SERIAL NUMBERS

The engine and frame numbers should be checked prior to ordering parts for a specific motorcycle. HONDA engine numbers are located on the left portion of the engine and frame numbers on the left side of the frame body.

Parts list serial numbers are coded (E) for ENGINE and (F) for FRAME to assist you in identification.

Modified parts will show ENGINE or FRAME serial number in the remark column. These numbers will designate the start (FROM) and finish (TO) production run for that item listed to its left.

Newly introduced items will be listed from initial part installation serial numbers.

ILLUSTRATIONS

To aid identification of PARTS, (exploded) illustrations are incorporated in this catalogue. Available items in the illustrations are identified by NUMBERS which correspond with the PARTS descriptions on the PARTS list.

A separate PARTS list is provided for each illustration. Reference numbers on the PARTS list duplicate identification numbers on the illustration for assistance in choosing the correct PART. Addition to the numerical reference numbers, we have used numeral-alphabet reference numbers for the convenience of adding new PARTS to the PARTS list.

Find the illustration of PART you require and check the accompanying PARTS list for its HONDA CODE, NEW PART NUMBER, DESCRIPTION, etc.

PARTS RETURN

PARTS may not be returned to AMERICAN HONDA without prior written authorization. Written authorization may be obtained by writing to AMERICAN HONDA MOTOR CO., INC., 100 West Alondra Blvd., Gardena, California 90247. We will correct any error which we were of primary fault. This would cover damaged

PARTS, (not caused in mishandling by the delivery source), wrong parts, incorrect quantities, etc. Advise us of discrepancies within five (5) days of receipt. AMERICAN HONDA is not responsible for PARTS – returned to us without written authorization.

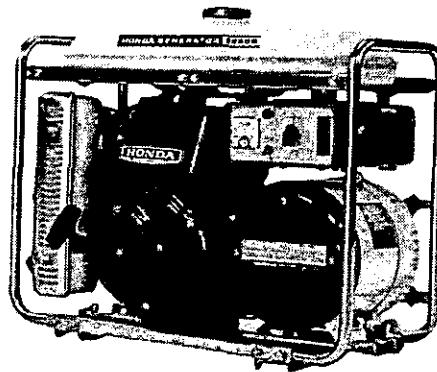
ADDITIONAL INFORMATION

1. Dimensions of the PARTS in this catalogue are indicated in millimeter units.
2. L or R in the description of a PART stands for the LEFT hand side or the RIGHT hand side, which is decided by the direction of travel of the vehicle.
3. Many standard items, SPARK PLUGS, BOLTS, NUTS, WASHERS, PINS, which are in constant use are sold in multiples of ten and consideration when placing your order is advised.
4. ABBREVIATIONS

ASSY. – Assembly
 COMP. – Complete

REF. – Reference
 HEX. – Hexagonal

ADJ. – Adjusting
 STD. – Standard



E2500K2

ENGINE NO.: G65-2000265 TO SUBSEQUENT
 FRAME NO.: 1100006 TO SUBSEQUENT

***** ADDITIONAL INFORMATION *****

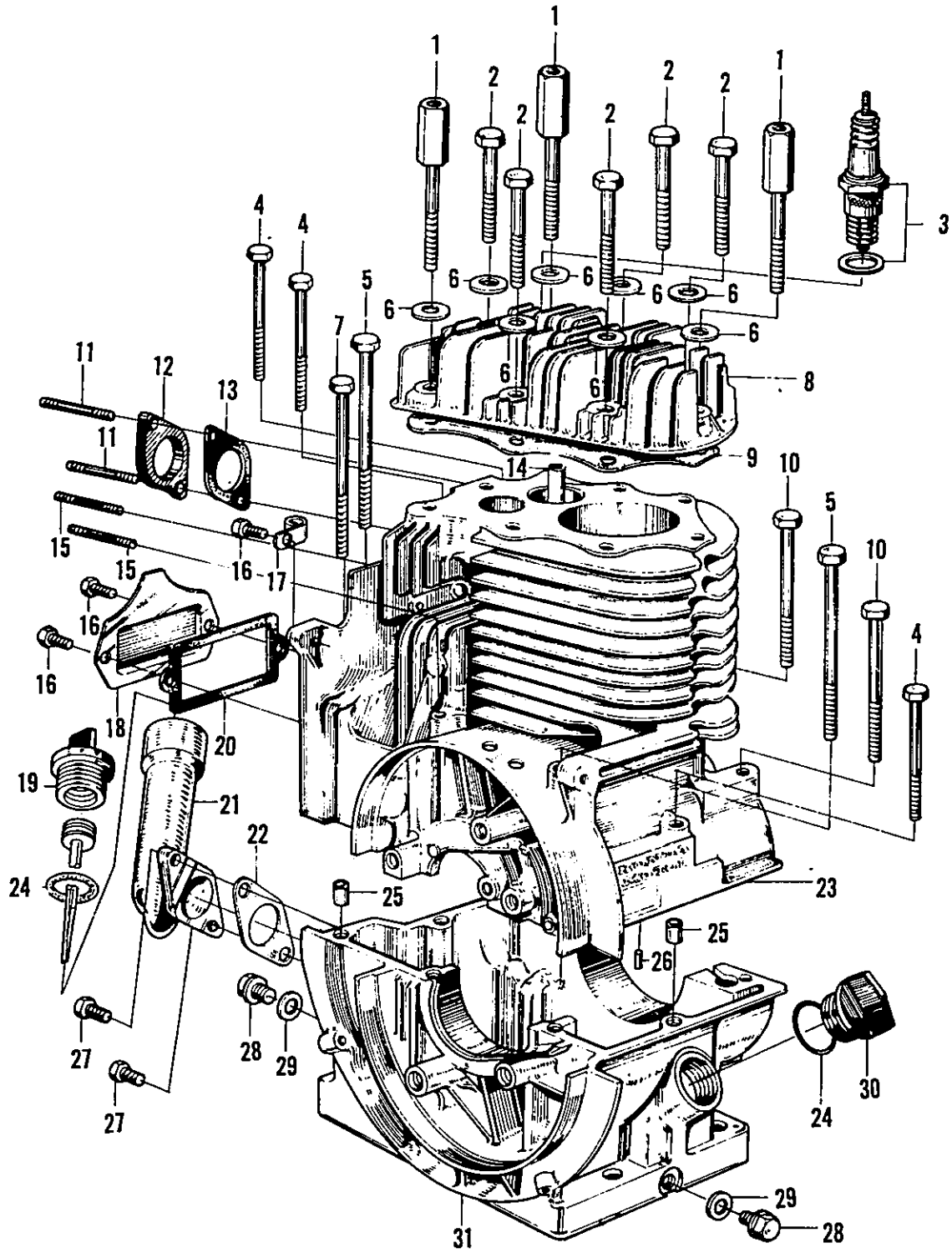
<u>ORDER CODE</u>	<u>HONDA CODE</u>	<u>DESCRIPTION</u>
P8186	43548	E2500K2 Parts Catalog
P8647	41819	E2500 Shop Manual
P9140	39171	E1500/E2500 Owners Manual



CONTENTS

	PAGE
CYLINDER BARREL • OIL PAN.....	3
FLYSHEEL MAGNETO • HIGH TENSION COIL.....	5
CRANKSHAFT • PISTON.....	7
CAMSHAFT • VALVE.....	9
FAN COVER • SIDE COVER.....	11
RECOIL STARTER.....	13
CARBURETOR.....	15
AIR CLEANER.....	17
MUFFLER.....	19
CONTROL BOX.....	21
GENERATOR.....	23
FRAME • ENGINE BED.....	25
FUEL TANK.....	27
TOOL.....	29
PART NO. INDEX.....	30

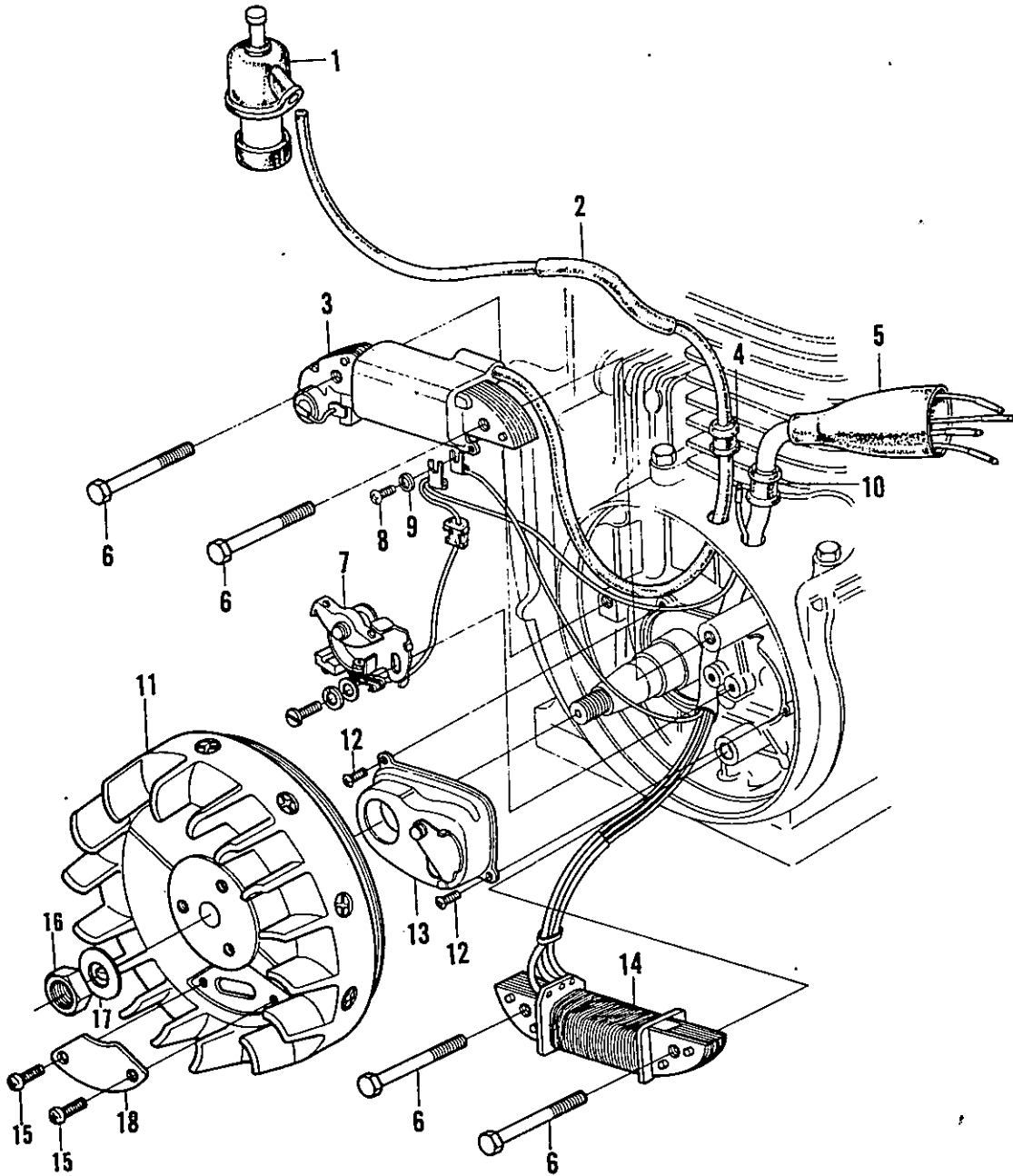
CYLINDER BARREL



CYLINDER . OIL PAN

Ref. No.	H/C	Part Number	Description	E2500K2	Remarks
1	16062	90001-823-000	BOLT, CYLINDER HEAD CLAMP.....	3	
2	40222	95125-08045	BOLT, HEX., 8X45.....	5	
3	24633	98076-56741	PLUG, SPARK *B-6HS*.....	1	
4	14534	92000-06063	BOLT, HEX., 6X63.....	3	
5	25685	92000-08100-0A	BOLT, HEX., 8X100.....	2	
6	12210	90402-822-000	WASHER, HEAD, 8MM.....	8	
7	07357	92000-06090	BOLT, HEX., 6X90.....	1	
8	15939	12201-823-000	HEAD, CYLINDER.....	1	
9	15940	12251-823-000	GASKET, CYLINDER HEAD.....	1	
10	39793	92022-08080-0A	BOLT, HEX., 8X80.....	2	
11	18131	90062-822-701	BOLT, STUD, 8X39.....	2	
12	15978	16211-823-303	INSULATOR, CARBURETOR.....	1	
13	15979	16229-823-000	PACKING, CARBURETOR.....	1	
14	30707	12236-823-305	GUIDE, VALVE.....	2	
15	43837	92700-06032-0B	BOLT, STUD, 6X32.....	2	
16	05419	92000-06012	BOLT, HEX., 6X12.....	3	
17	13529	16237-709-000	STAY, OVERFLOW PIPE.....	1	
18	39754	12361-823-010	COVER, TAPPET.....	1	
19	14155	15620-815-000	CAP, OIL.....	1	
20	39757	15719-823-000	PACKING, TAPPET COVER.....	1	
21	14154	11220-815-000	PIPE, OIL.....	1	
22	12157	11211-822-000	PACKING, OIL PAN HOLE COVER.....	1	
23	39697	12100-823-070	BARREL COMP., CYLINDER.....	1	
24	06518	91301-805-000	O RING, 26X2.7.....	2	
25	02211	90701-200-000	PIN, KNOCK, 8.5X11.....	2	
26	03509	90705-259-020	PIN, KNOCK, 7X12.....	1	
27	05423	92000-06016	BOLT, HEX., 6X16.....	2	
28	05397	92800-12000	BOLT, DRAIN PLUG, 12MM.....	2	
29	29200	94102-12000	WASHER, PLAIN, 12MM.....	2	
30	28280	15611-921-000	CAP, OIL.....	1	
31	15937	11200-823-010	PAN, OIL.....	1	

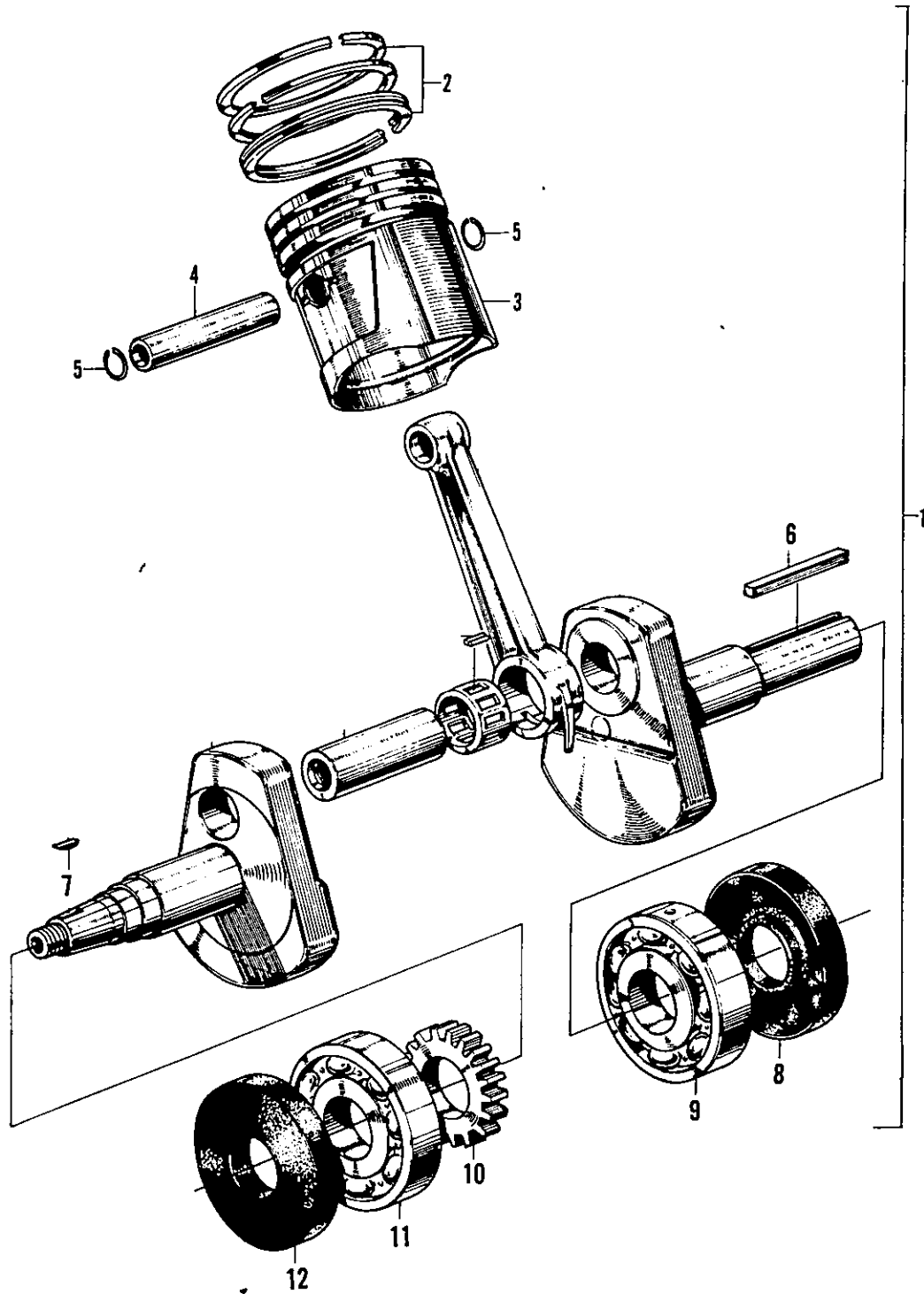
FLYWHEEL COIL



FLYWHEEL MAGNETO. HIGH TENSION COIL

Ref. No.	H/C	Part Number	Description	E2500K2	Remarks
1	34803	30600-815-030	TERMINAL ASSY., HIGH TENSION.....	1	
2	37916	30565-865-650	TUBE, HIGH TENSION RUBBER.....	1	
3	41737	30560-823-014	COIL, HIGH TENSION.....	1	
4	17790	32951-705-000	GROMMET, CORD.....	1	
5	43383	31450-839-000	COVER, CONNECTOR.....	1	
6	05434	92000-06028	BOLT, HEX., 6X28.....	4	
7	16014	30280-829-004	POINTS AND CONDENSER.....	1	
8	11103	93500-03006-0B	SCREW, PAN, 3X6.....	1	
9	05894	94111-03000	WASHER, SPRING, 3MM.....	1	
10	12205	36152-805-640	GROMMET, CORD.....	1	
11	39721	31121-823-013	MAGNETO, FLYWHEEL.....	1	
12	20984	93500-05006-0A	SCREW, PAN, 5X6.....	2	
13	39782	30210-823-010	COVER, POINT.....	1	
14	40060	31521-840-158	COIL, EXCITER.....	1	
15	16666	93500-05010-0B	SCREW, PAN, 5X10.....	2	
16	13539	94002-14000	NUT, HEX., 14MM.....	1	
17	10967	94101-14000	WASHER, PLAIN, 14MM.....	1	
18	12202	31125-822-000	COVER, FLYWHEEL WINDOW.....	1	

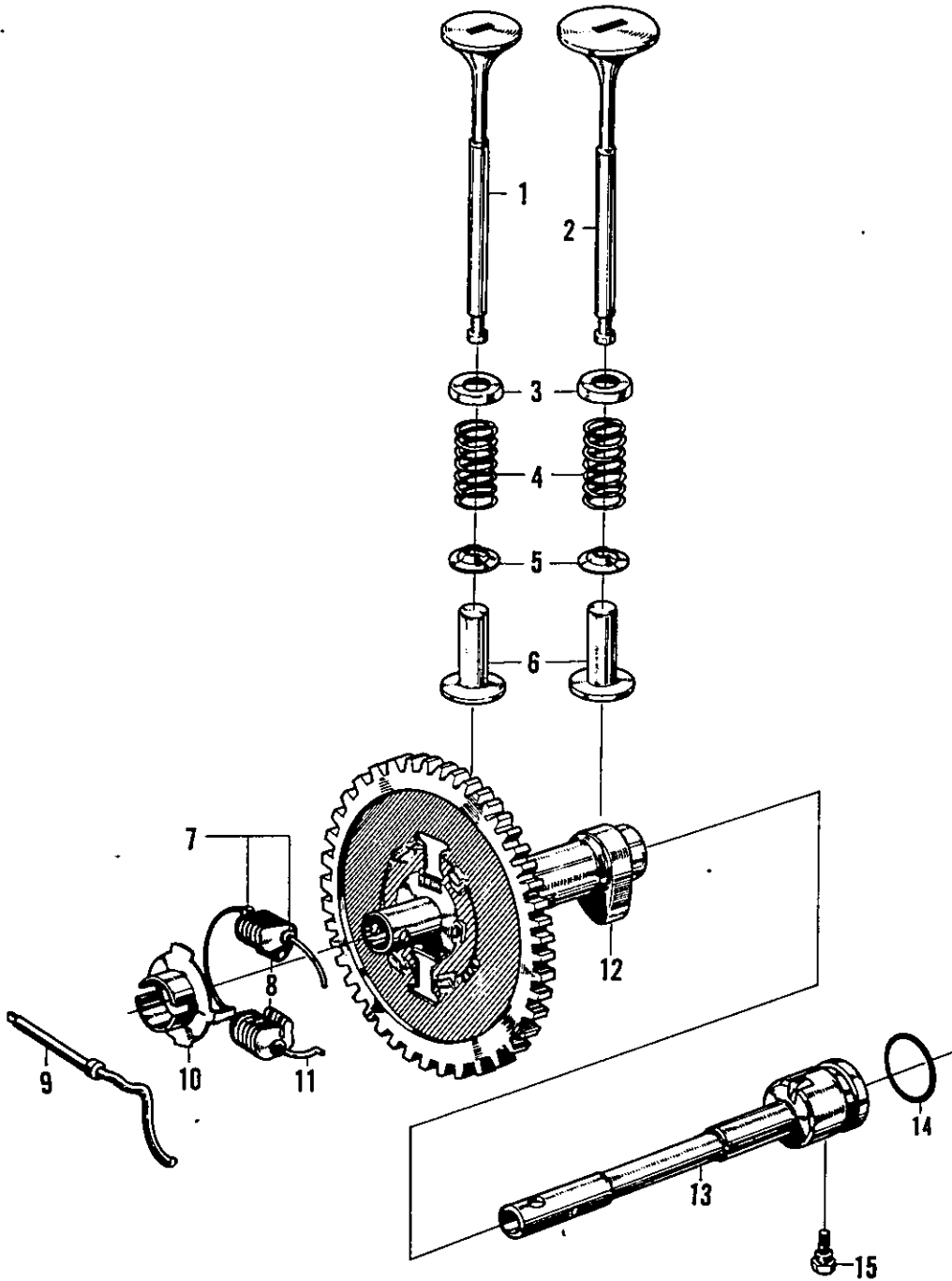
CRANKSHAFT . PISTON



CRANKSHAFT . PISTON

Ref. No.	H/C	Part Number	Description	E2500K2	Remarks
1		43821 13000-823-680	CRANKSHAFT ASSY.....	1	
2		15943 13011-809-010	RING SET, PISTON *STD*.....	1	
		15947 13021-809-010	RING SET, PISTON *0.25*.....	1	
		15948 13031-809-010	RING SET, PISTON *0.50*.....	1	
		15949 13041-809-010	RING SET, PISTON *0.75*.....	1	
3		15944 13101-823-000	PISTON *STD*.....	1	
		15950 13102-823-000	PISTON *0.25*.....	1	
		15951 13103-823-000	PISTON *0.50*.....	1	
		15952 13104-823-000	PISTON *0.75*.....	1	
4		15945 13111-809-010	PIN, PISTON.....	1	
5		15946 13115-809-010	CLIP, PISTON PIN.....	2	
6		06496 90741-805-000	KEY, 7X7X33.....	1	
7		05377 94401-25180	KEY, WOODRUFF, 25X18.....	1	
8		16076 91202-809-003	OIL SEAL, PJ30779 *ARAI*.....	1	
9		43836 91002-809-003	BEARING, RADIAL BALL, 6306.....	1	
10		43812 14311-823-680	GEAR, TIMING.....	1	
11		43835 91001-809-003	BEARING, RADIAL BALL, 6306S.....	1	
12		16075 91201-809-003	OIL SEAL, PJ30759 *ARAI*.....	1	

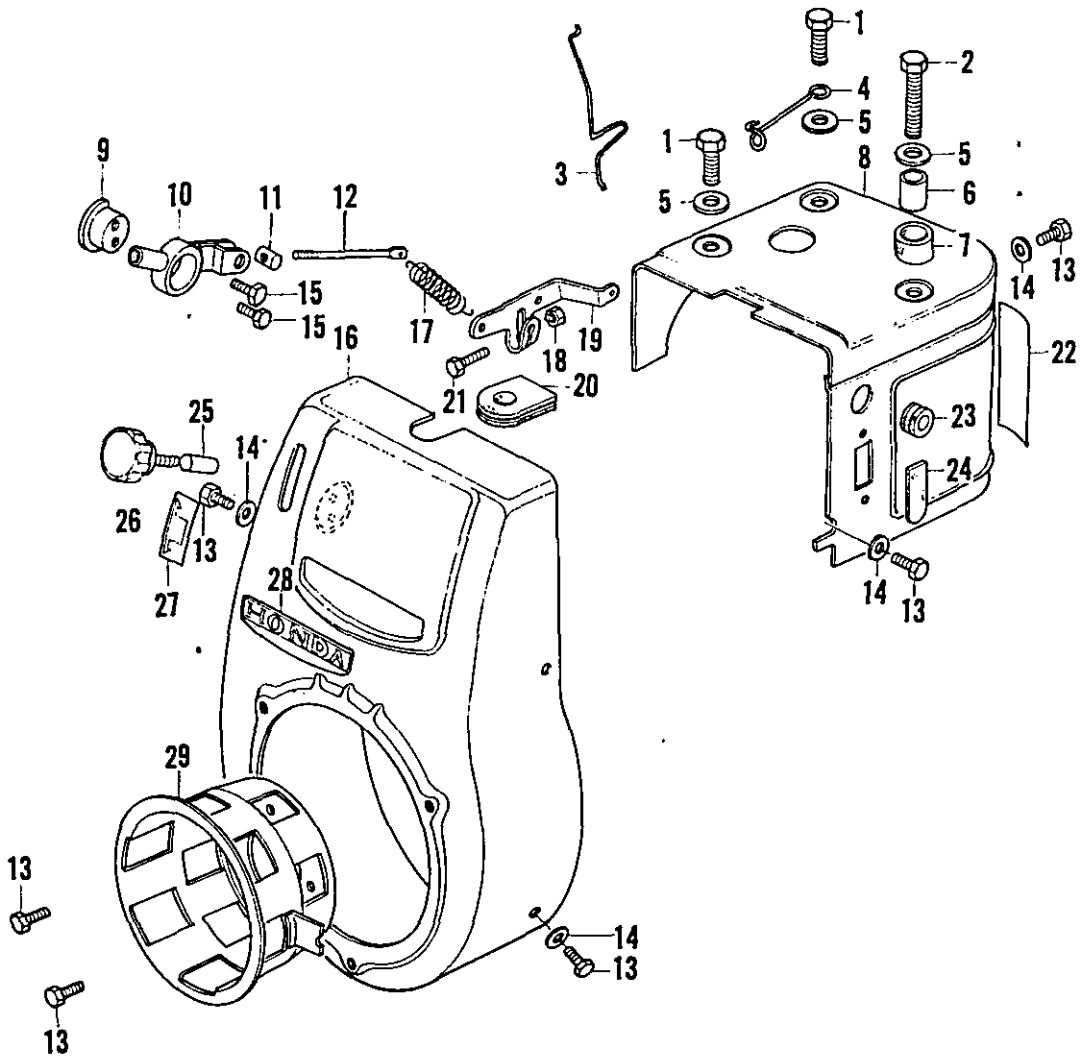
CAMSHAFT . VALVE



CAMSHAFT . VALVE

Ref. No.	H/C	Part Number	Description	E2500K2	Remarks
1	15957	14721-823-020	VALVE, EXHAUST.....	1	
2	15956	14711-823-020	VALVE, INLET.....	1	
3	15960	14775-809-000	SEAT, VALVE SPRING.....	2	
4	15959	14751-823-010	SPRING, VALVE.....	2	
5	06402	14771-805-000	RETAINER, VALVE SPRING.....	2	
6	15958	14731-809-010	LIFTER, VALVE.....	2	
7	05903	94101-03000	WASHER, PLAIN, 3MM.....	4	
8	06423	16511-805-000	WEIGHT, GOVERNOR.....	12	
9	39766	16535-823-000	SHAFT, GOVERNOR ARM.....	1	
10	15980	16521-823-000	SLIDER, GOVERNOR.....	1	
11	06424	16515-805-000	CENTER, GOVERNOR WEIGHT.....	1	
12	43811	14101-823-681	CAMSHAFT.....	1	
13	15954	14210-823-010	CENTER, CAMSHAFT.....	1	
14	16077	91302-700-000	O RING, 23.5MM.....	1	
15	16078	90008-809-000	BOLT, CAMSHAFT CENTER STOPPER.....	1	

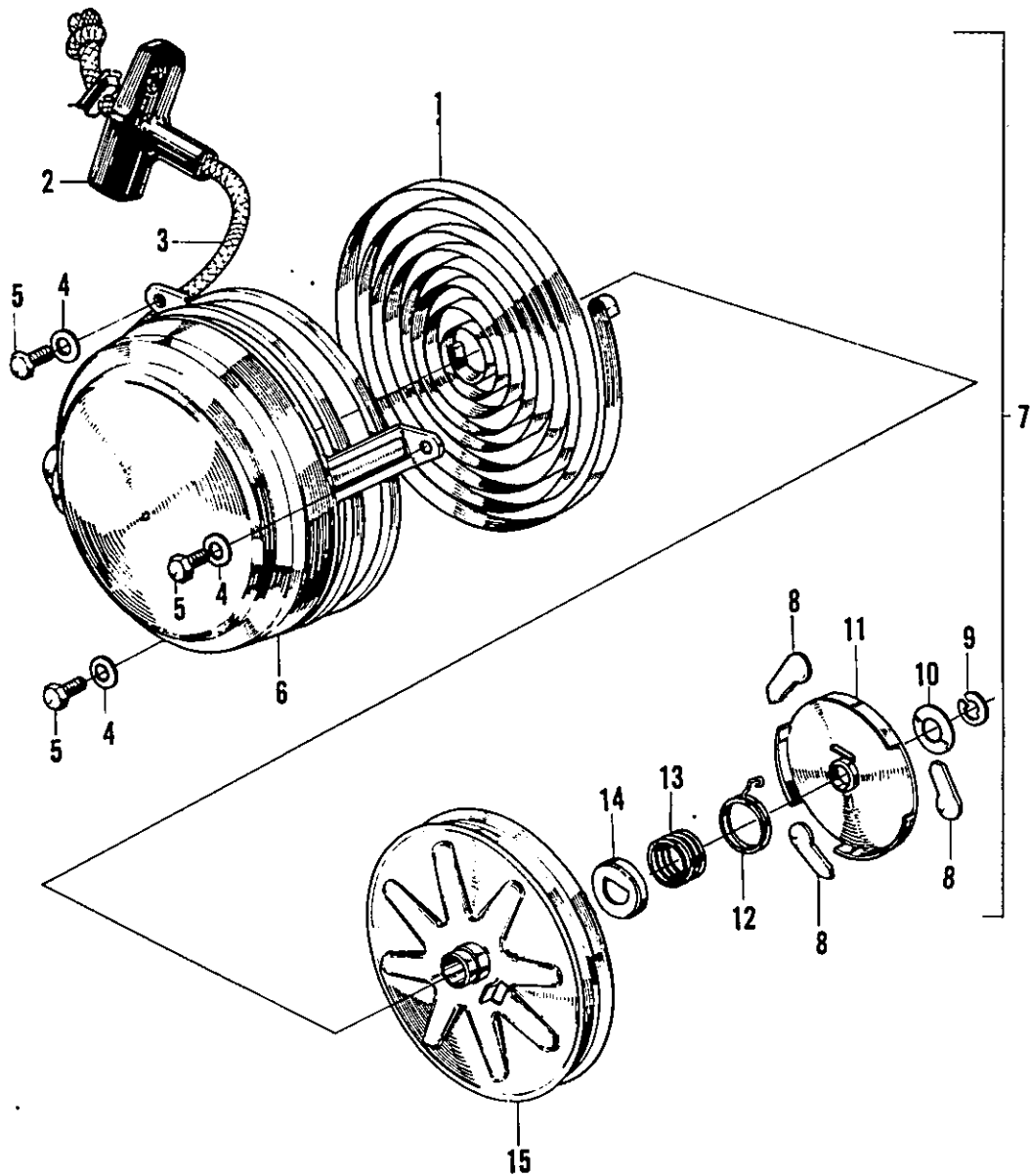
FAN COVER . SIDE COVER



FAN COVER . SIDE COVER

Ref. No.	H/C	Part Number	Description	E2500K2	Remarks
1	14543	92000-08016-0A	BOLT, HEX., 8X16.....	2	
2	14547	92000-08032-0B	BOLT, HEX., 8X32.....	2	
3	19791	16545-823-000	ROD, GOVERNOR.....	1	
4	37915	30564-865-630	CLAMPER, HIGH TENSION CORD.....	1	
5	19959	94102-08000	WASHER, PLAIN, 8MM.....	3	
6	37941	50319-839-000	COLLAR, DISTANCE.....	1	
7	37940	50318-839-000	RUBBER, STOPPER.....	1	
8	39781	19611-823-020H	COVER, SIDE.....	1	
9	39768	16572-823-000	SHAFT, CONTROL.....	1	
10	39767	16571-823-000	LEVER, CONTROL.....	1	
11	40952	16579-823-000	JOINT, ADJUSTING ROD.....	1	
12	39770	16575-823-000	ROD, ADJUSTING.....	1	
13	05419	92000-06012	BOLT, HEX., 6X12.....	8	
14	05907	94101-06000	WASHER, PLAIN, 6MM.....	5	
15	17169	92000-05008-0A	BOLT, HEX., 5X8.....	2	
16	39698	19600-823-050H	COVER, FAN.....	1	
17	06434	16551-805-000	SPRING, GOVERNOR.....	1	
18	15606	94001-06000-0S	NUT, HEX., 6MM.....	1	
19	19792	16541-809-020	ARM, GOVERNOR.....	1	
20	37910	19905-865-000	GROMMET, CORD.....	1	
21	05423	92000-06016	BOLT, HEX., 6X16.....	1	
22	43203	87542-844-660	MARK, OIL CAUTION.....	1	
23	12204	36151-805-641	GROMMET A SIDE COVER.....	8	
24	07358	19901-807-000	DEFENDER, SIDE COVER.....	1	
25	39769	16574-823-000	BUSHING, CONTROL.....	1	
26	37892	16561-865-000	SCREW, GOVERNOR ADJUST.....	1	
27	39784	87531-823-660	PLATE, THROTTLE.....	1	
28	37945	87101-865-000	EMBLEM.....	1	
29	39718	28430-823-020	PULLEY, .STARTER.....	1	

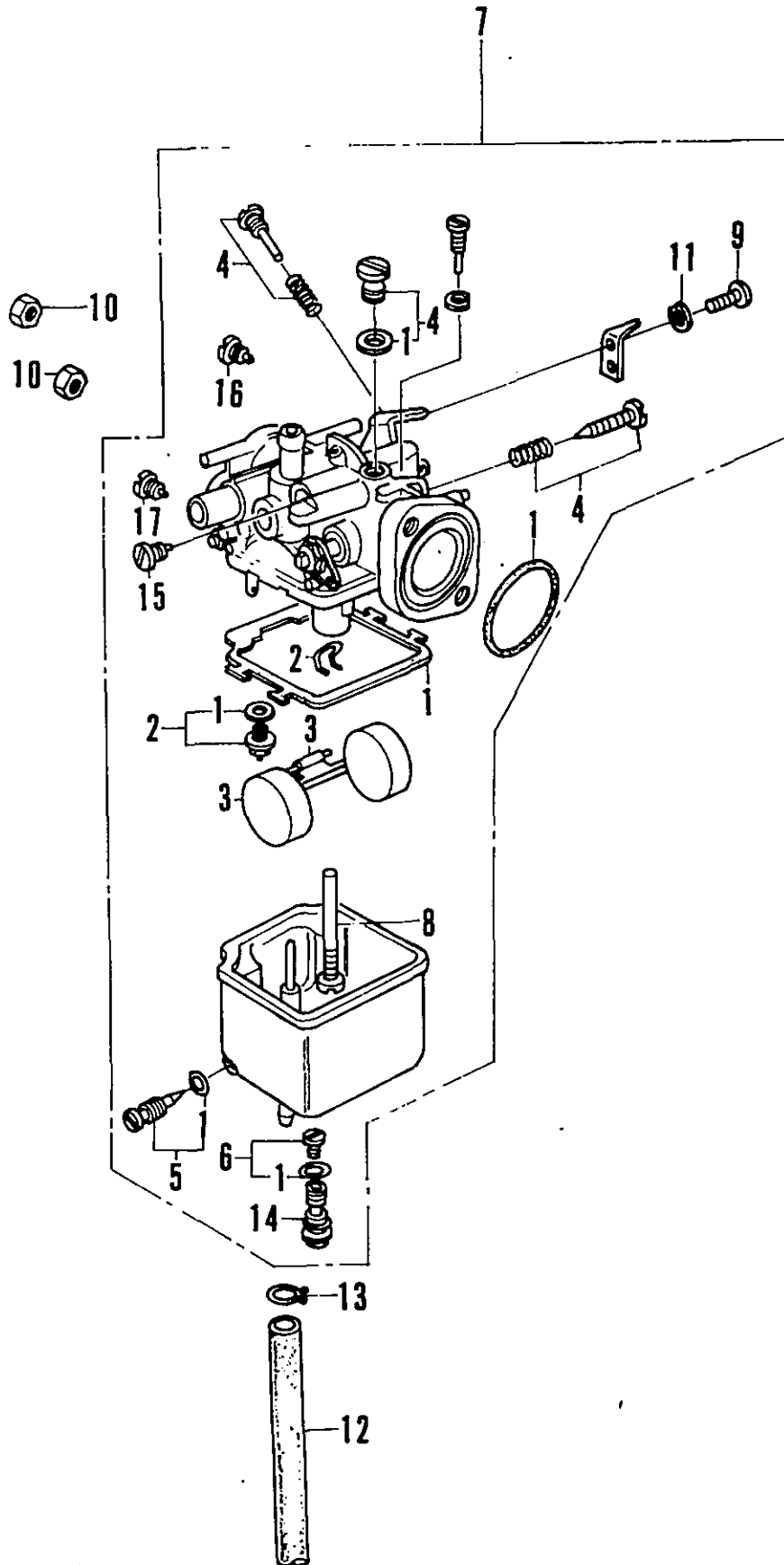
RECOIL STARTER



RECOIL STARTER

Ref. No.	H/C	Part Number	Description	E2500K2	Remarks
1	13520	28451-809-810	SPRING, STARTER RETURN.....	1	
2	39720	28461-823-810	KNOB, STARTER.....	1	
3	13519	28471-809-810	ROPE, RECOIL STARTER.....	1	
4	05907	94101-06000	WASHER, PLAIN, 6MM.....	3	
5	05419	92000-06012	BOLT, HEX., 6X12.....	3	
6	43831	28410-823-811H	CASE COMP., STARTER.....	1	
7	39715	28400-823-811H	STARTER ASSY., RECOIL.....	1	
8	39719	28441-822-810	RATCHET, STARTER.....	3	
9	13510	28423-809-810	E RING.....	1	
10	13511	90482-809-810	WASHER B.....	1	
11	13512	28445-809-810	PLATE, FRICTION.....	1	
12	13514	28455-822-810	SPRING, SET.....	1	
13	13515	28446-809-810	SPRING, FRICTION.....	1	
14	13516	90481-809-810	WASHER A.....	1	
15	39717	28420-822-810	PULLEY COMP., RECOIL STARTER.....	1	

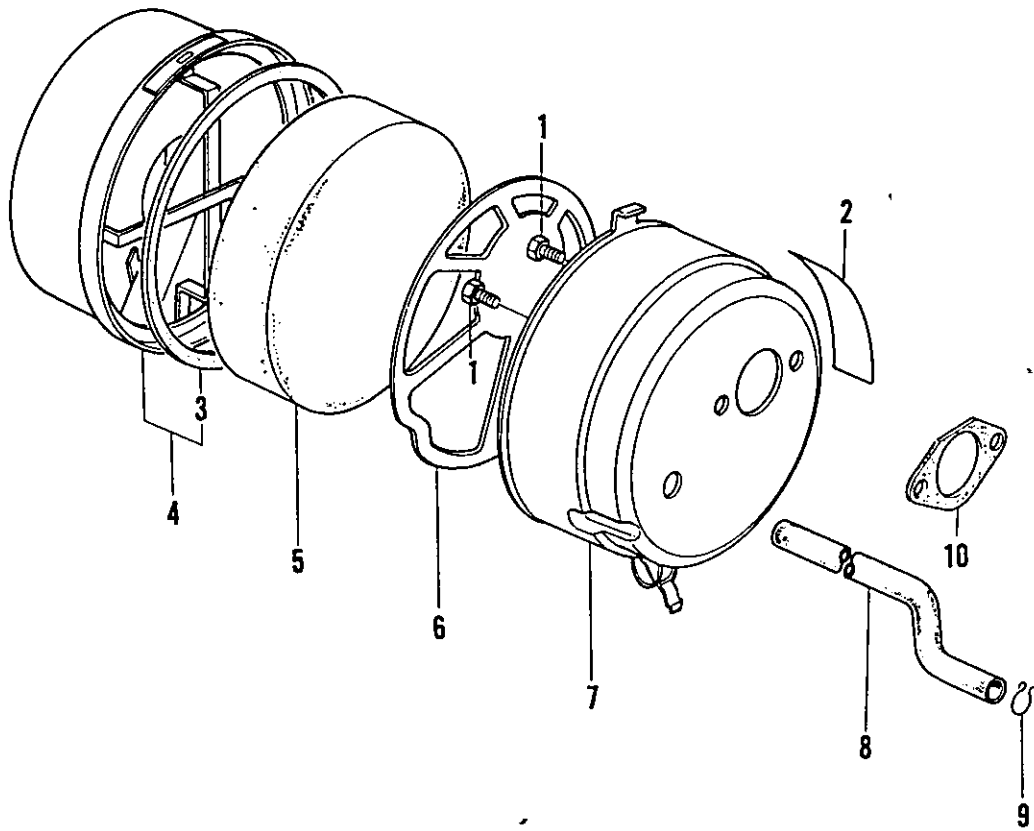
CARBURETOR



CARBURETOR

Ref. No.	H/C	Part Number	Description	E2500K2	Remarks
1	39758	16010-823-004	PACKING SET, CARBURETOR.....	1	
2	39759	16011-862-004	VALVE SET, FLOAT.....	1	
3	35698	16013-862-004	FLOAT SET.....	1	
4	39760	16016-823-014	SCREW SET A.....	1	
5	39761	16024-124-004	SCREW SET, DRAIN.....	1	
6	35701	16028-862-004	SCREW SET B.....	1	
7	43810	16100-823-681	CARBURETOR ASSY.....	1	
8	39764	16134-823-014	NOZZLE, MAIN.....	1	
9	31236	93500-03007-0A	SCREW, PAN, 3X7.....	1	
10	15606	94001-06000-0S	NUT, HEX., 6MM.....	2	
11	05894	94111-03000	WASHER, SPRING, 3MM.....	1	
12	31353	95001-35240-40	TUBE, FUEL, 3.5X240.....	1	
13	25063	95002-02070	CLIP, TUBE, B7.....	1	
14	39797	99101-862-0950	JET, MAIN, *#95* *STD*.....	1	
15	35771	99104-862-0480	JET, PILOT, *#48*.....	1	
16	39800	99105-862-1700	JET, MAIN AIR.....	1	
17	39801	99134-548-1250	JET, PILOT AIR.....	1	

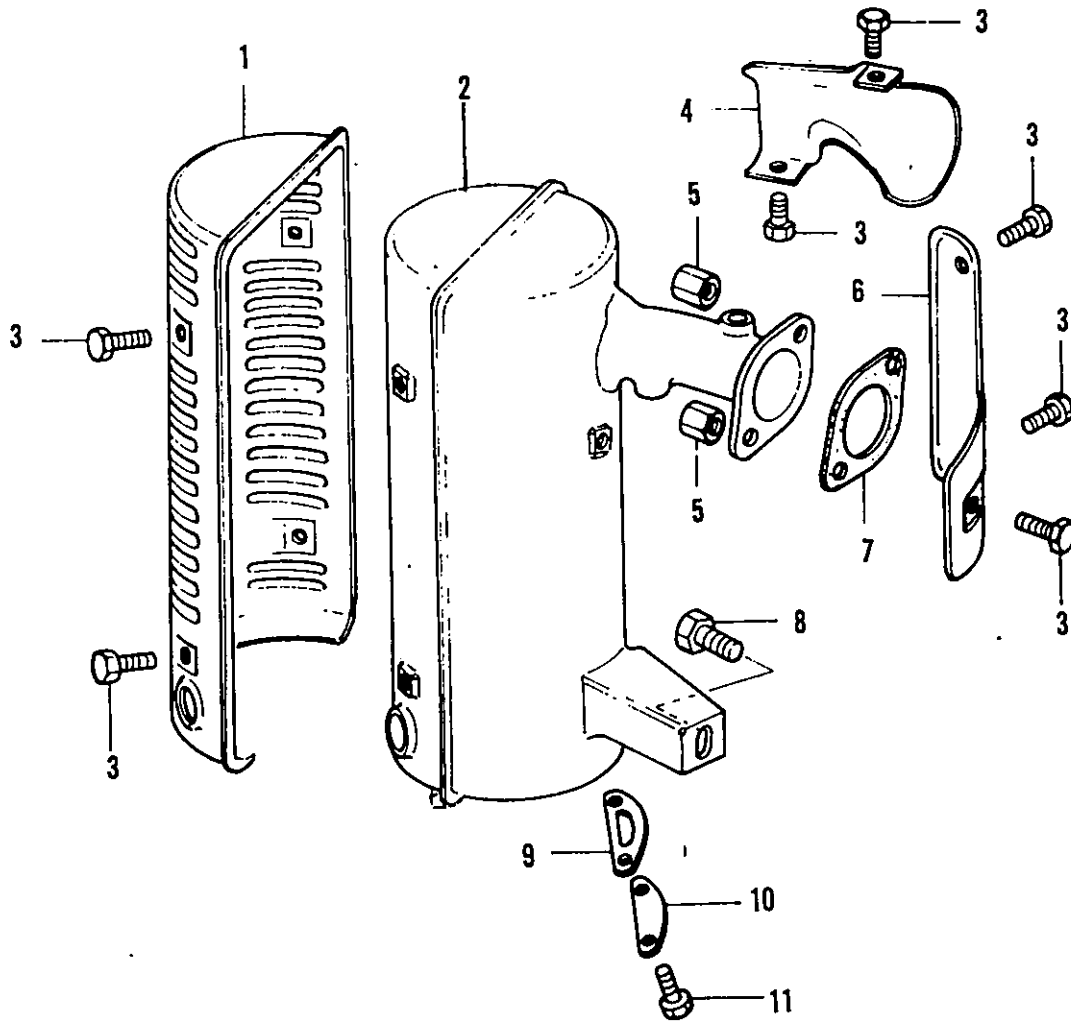
AIR CLEANER



AIR CLEANER

Ref. No.	H/C	Part Number	Description	E2500K2	Remarks
1	05419	92000-06012	BOLT, HEX., 6X12.....	2	
2	14657	87534-822-660	PLATE, AIR CLEANER CAUTION.....	1	
3	43826	17233-823-680	RUBBER, SEAL.....	1	
4	43825	17230-823-680H	COVER COMP., AIR CLEANER.....	1	
5	43822	17211-823-680	ELEMENT, AIR CLEANER.....	1	
6	43823	17212-809-014	GRID, AIR CLEANER.....	1	
7	43824	17220-823-680H	CASE COMP., AIR CLEANER.....	1	
8	39358	12381-823-010	TUBE, BREATHER.....	1	
9	32335	95002-02130	CLIP, TUBE.....	1	
10	39765	16269-823-000	PACKING, AIR CLEANER.....	1	

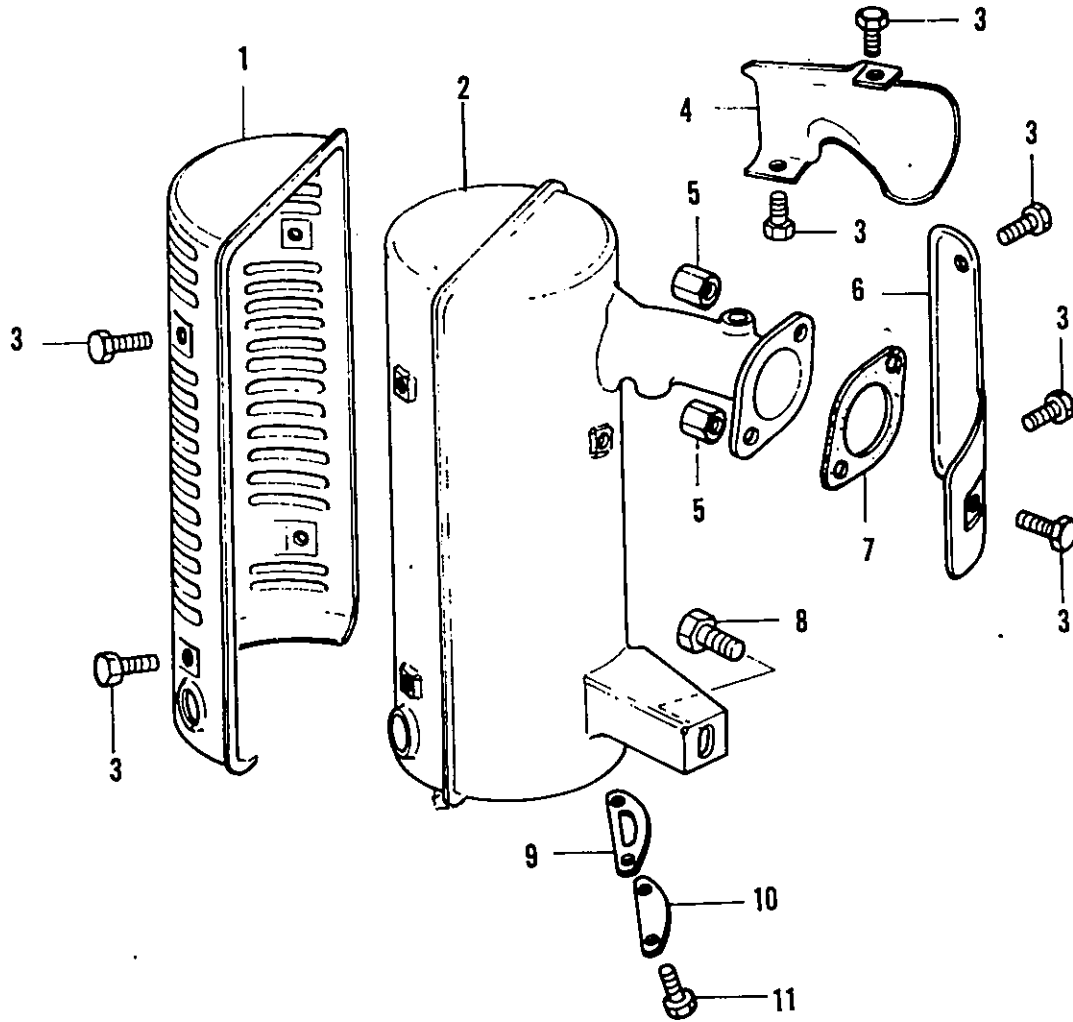
MUFFLER



AIR CLEANER

Ref. No.	H/C	Part Number	Description	E2500K2	Remarks
1	05419	92000-06012	BOLT, HEX., 6X12.....	2	
2	14657	87534-822-660	PLATE, AIR CLEANER CAUTION.....	1	
3	43826	17233-823-680	RUBBER, SEAL.....	1	
4	43825	17230-823-680H	COVER COMP., AIR CLEANER.....	1	
5	43822	17211-823-680	ELEMENT, AIR CLEANER.....	1	
6	43823	17212-809-014	GRID, AIR CLEANER.....	1	
7	43824	17220-823-680H	CASE COMP., AIR CLEANER.....	1	
8	39358	12381-823-010	TUBE, BREATHER.....	1	
9	32335	95002-02130	CLIP, TUBE.....	1	
10	39765	16269-823-000	PACKING, AIR CLEANER.....	1	

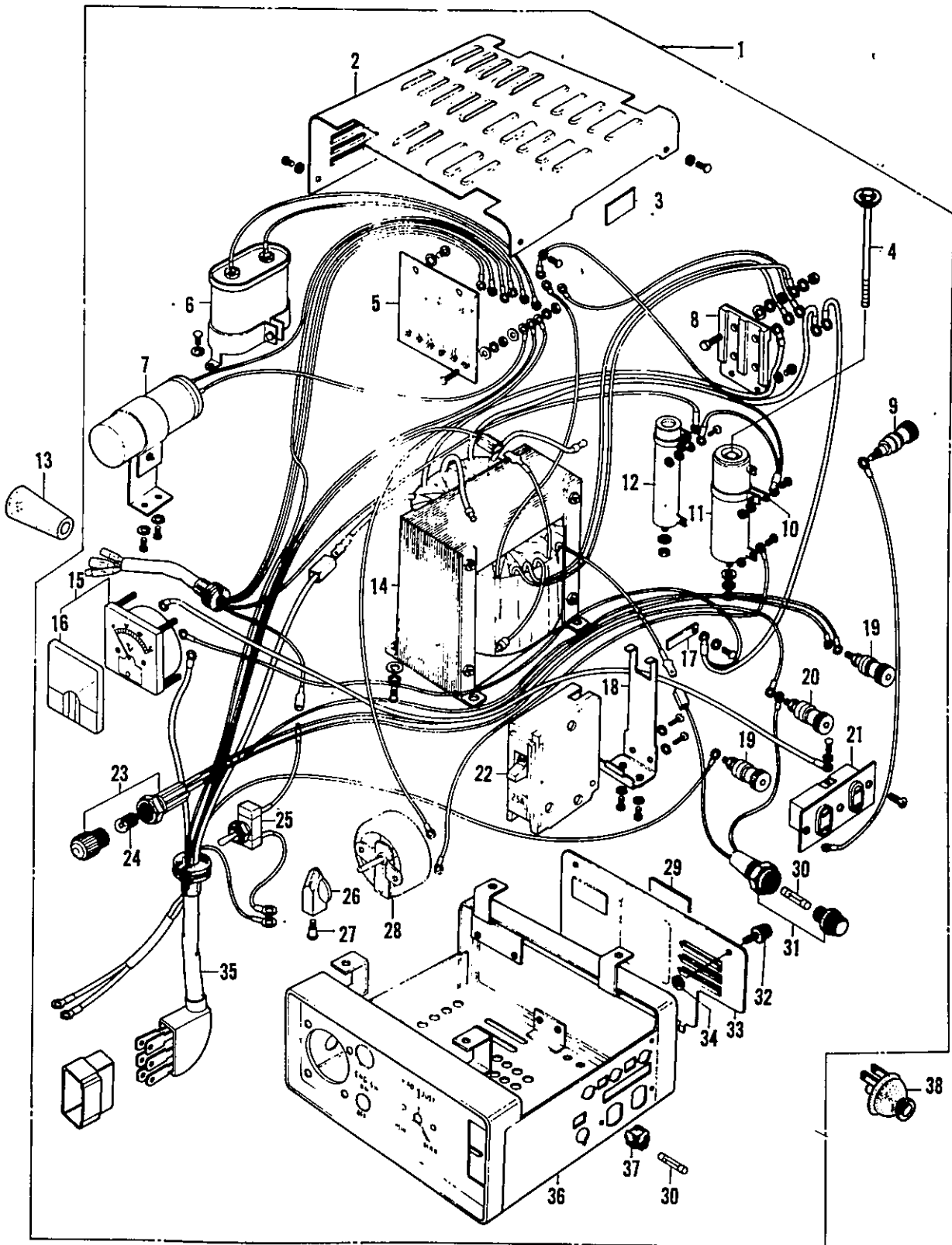
MUFFLER



MUFFLER

Ref. No.	H/C	Part Number	Description	E2500K2	Remarks
1	43830	18361-823-680	PROTECTOR, MUFFLER.....	1	
2	43829	18300-823-680	MUFFLER.....	1	
3	39794	93000-06006-0B	BOLT, HEX., 6X6.....	10	
4	39780	18365-823-010	COVER, EXHAUST PIPE.....	1	
5	06672	90381-703-000	NUT, HEX., 6MM.....	2	
6	39057	18363-865-630	PLATE, MUFFLER SEPARATE.....	1	
7	15998	18351-809-000	PACKING, MUFFLER.....	1	
8	19747	92000-08018-0A	BOLT, HEX., 8X18.....	1	
9	13990	18372-815-000	PACKING, MUFFLER.....	1	
10	13989	18371-815-000	COVER, MUFFLER DRAIN.....	1	
11	05416	92000-06008-02	BOLT, HEX., 6X8.....	2	

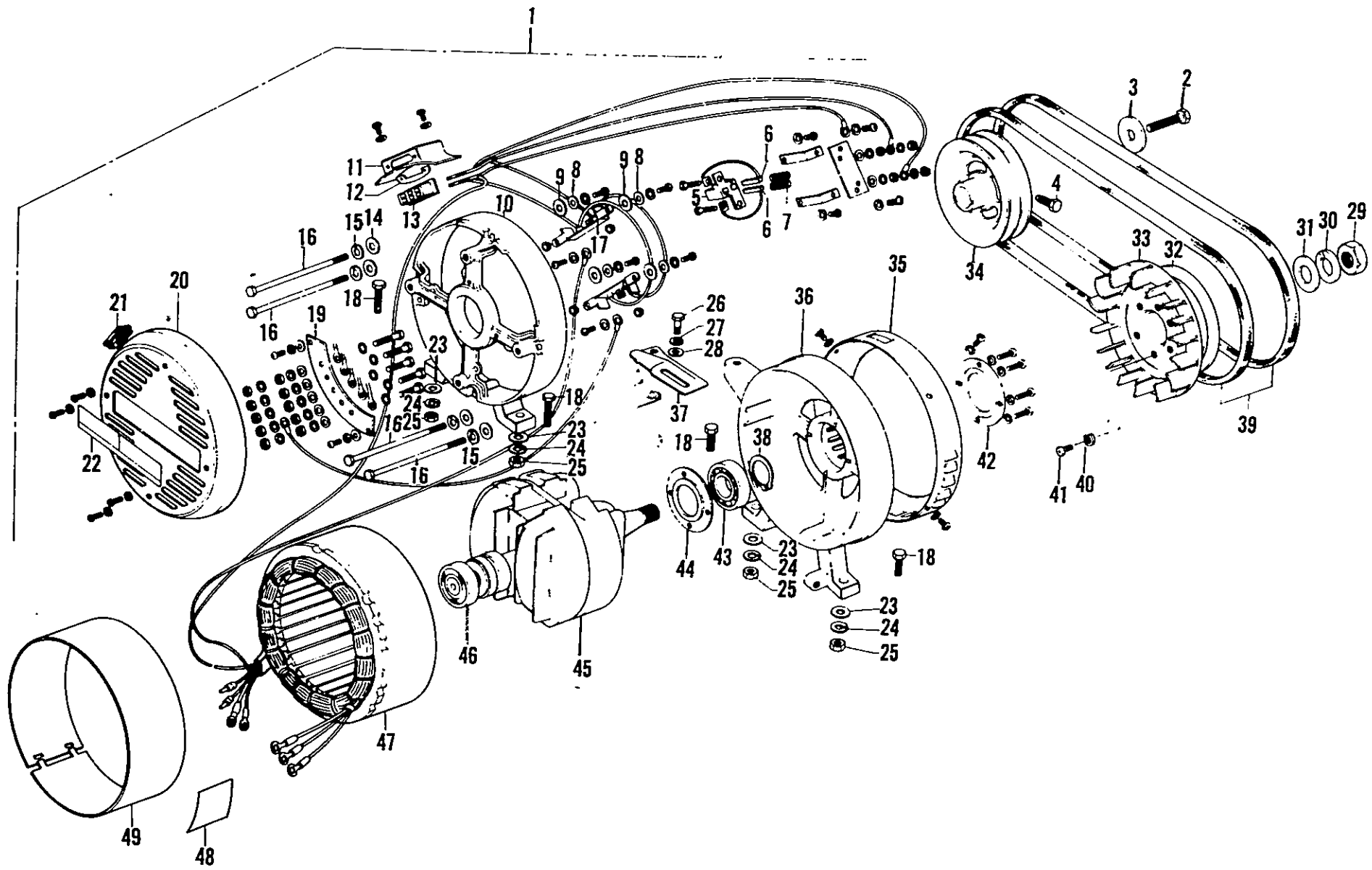
CONTROL BOX



CONTROL BOX

Ref. No.	H/C	Part Number	Description	E2500K2	Remarks
1	40185	31400-840-674H	BOX ASSY., CONTROL.....	1	
2	40186	31401-840-158C	COVER, CONTROL BOX UPPER.....	1	
3	40217	87524-839-680	MARK C, CAUTION.....	1	
4	37931	31453-840-168	BOLT, RESISTOR SET.....	1	
5	40193	31417-840-159	STACK ASSY., DIODE.....	1	
6	40195	31426-840-158	CONDENSER ASSY.....	1	
7	40196	31446-840-158	CONDENSER ASSY.....	1	
8	40194	31425-840-159	STACK ASSY., FREQUENCY CHANGE.....	1	
9	14088	31428-815-158	TERMINAL ASSY., EARTH.....	1	
10	43382	31413-839-158	PLATE, RESISTOR.....	2	
11	40198	31455-840-158	RESISTOR SET.....	1	
12	40197	31452-840-158	RESISTOR, ADJUSTABLE.....	1	
13	40202	32121-840-168	CONNECTOR ASSY., OUTER, 4P.....	1	
14	40190	31403-840-672	TRANSFORMER ASSY., CURRENT.....	1	
15	17775	31411-840-158	METER ASSY., VOLT *150V SCALE*.....	1	
16	28765	31499-839-158	LENS, METER.....	1	
17	29274	31414-815-168	TERMINAL, BREAKER.....	1	
18	31605	31415-815-168	SUPPORT, BREAKER.....	1	
19	14090	31408-815-158	TERMINAL A ASSY.....	2	
20	14089	31409-815-158	TERMINAL B ASSY.....	1	
21	30368	32330-839-158	SOCKET ASSY.....	1	
22	40192	31412-840-671	BREAKER ASSY., NO FUSE.....	1	
23	40061	37561-840-168	SOCKET ASSY., PILOT LAMP.....	1	
24	13061	34909-815-158	BULB, DASH.....	1	
25	40203	36100-840-158	SWITCH ASSY., ENGINE.....	1	
26	14082	31407-815-158	KNOB, ADJUSTING.....	1	
27	34561	90191-815-168	BOLT, KNOB.....	1	
28	39149	31406-829-168	RESISTOR ASSY., VARIABLE.....	1	
29	40216	87521-839-680	PLATE, DESCRIPTION.....	1	
30	14092	38201-815-605	FUSE, 8A.....	2	
31	40205	38211-840-158	HOLDER ASSY., FUSE.....	1	
32	06623	63581-801-000	LATCH, SIDE PLATE.....	2	
33	40191	31405-839-158	PANEL, CONTROL BOX REAR.....	1	
34	06624	63588-801-000	STOPPER, LATCH.....	2	
35	40200	32110-840-168	HARNES, WIRE, 6P.....	1	
36	43832	31402-840-673	COVER, CONTROL BOX UNDER.....	1	
37	13066	38221-815-168	SUPPORTER, SPARE FUSE.....	1	
38	32321	32310-812-640	PLUG ASSY.....	1	
<u>NOT ILLUSTRATED</u>					
	37930	31451-840-168	BOLT, ADJUSTABLE RESISTOR.....	1	

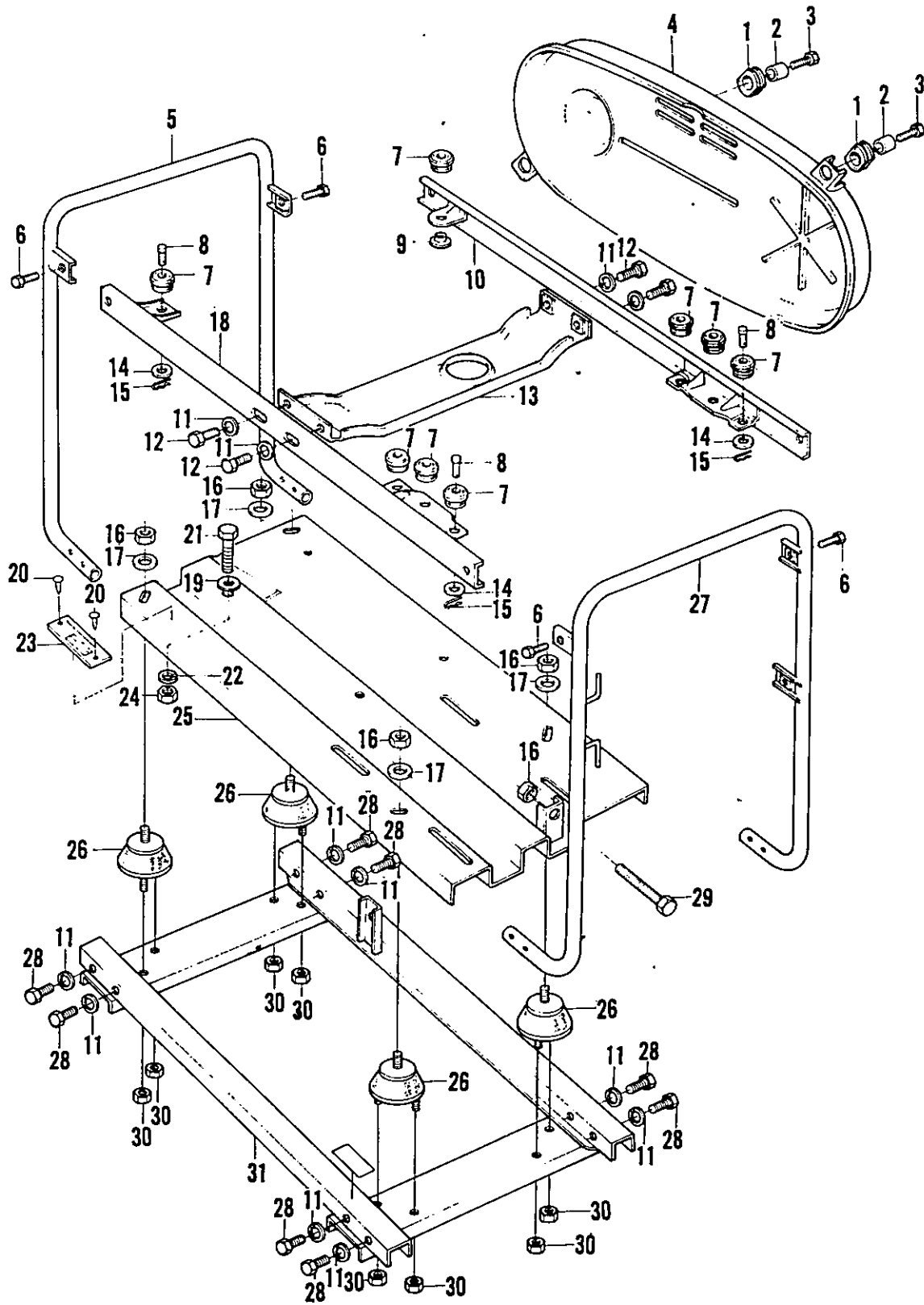
GENERATOR



GENERATOR

Ref. No.	H/C	Part Number	Description	E2500K2	Remarks
1		40171 31100-840-673	GENERATOR ASSY.....	1	
2		40221 92025-08025-0A	BOLT, HEX., 8X25.....	1	
3		17799 90534-706-010	WASHER, LOCK, 8MM.....	1	
4		11254 90029-805-810	BOLT B, KEY LOCK, 7MM.....	1	
5		24678 31106-815-169	HOLDER, BRUSH.....	1	
6		14034 31107-815-168	BRUSH, CARBON.....	2	
7		16033 31136-815-168	SPRING, BRUSH HOLDER.....	1	
8		14037 31133-815-158	BUSH, INSULATING.....	4	
9		14035 31134-815-158	WASHER, INSULATING.....	4	
10		40174 31108-829-168	COVER, END.....	1	
11		16025 31115-829-158	COVER, COUPLER.....	1	
12		16031 31134-829-158	PLATE, COVER.....	1	
13		40181 31130-840-168	COUPLER, 6P.....	1	
14		16067 90502-815-158	WASHER, 6MM.....	4	
15		05897 94111-06000	WASHER, SPRING, 6MM.....	4	
16		16063 90101-829-158	BOLT, HEX., 6X145.....	4	
17		40182 31135-840-168	DIODE ASSY., D.C.....	2	
18		16660 92000-10032-0A	BOLT, HEX., 10X32.....	4	
19		29273 31128-829-159	TERMINAL ASSY.....	1	
20		40176 31113-829-158H	COVER, CLEANER.....	1	
21		16029 31131-829-158	BUSH, RUBBER.....	1	
22		37947 87525-839-681	PLATE, CAUTION.....	1	
23		05911 94101-10000	WASHER, PLAIN, 10MM.....	4	
24		05900 94111-10000	WASHER, SPRING, 10MM.....	4	
25		22302 94030-10000	NUT, HEX., 10MM.....	4	
26		35025 92000-08010-0A	BOLT, HEX., 8X10.....	1	
27		05898 94111-08000	WASHER, SPRING, 8MM.....	1	
28		05909 94101-08000	WASHER, PLAIN, 8MM.....	1	
29		14001 94001-18000	NUT, HEX., 18MM.....	1	
30		14003 94111-18000	WASHER, SPRING, 18MM.....	1	
31		14002 94101-18000	WASHER, PLAIN, 18MM.....	1	
32		37919 31111-815-178	PULLEY ASSY *WITH FAN*.....	1	
33		40059 31112-839-158	FAN.....	1	
34		12224 49114-815-613	PULLEY, V BELT.....	1	
35		40177 31114-829-158XC	COVER, FAN.....	1	
36		40175 31109-829-168	COVER, FRONT.....	1	
37		16034 31181-829-010	STAY, GENERATOR.....	1	
38		14029 31132-815-158	CIRCLIP, INNER.....	1	
39		40206 49212-840-610	V BELT.....	2	
40		05896 94111-05000	WASHER, SPRING, 5MM.....	4	
41		15697 93500-05010-0A	SCREW, PAN, 5X10.....	4	
42		14028 31116-815-168	COVER A, BEARING.....	1	
43		14004 96150-62050	BEARING, RADIAL BALL, 6205RR.....	1	
44		14040 31117-815-168	COVER B, BEARING.....	1	
45		40172 31104-840-158	ROTOR ASSY.....	1	
46		14005 96150-62030	BEARING, RADIAL BALL, 6203RR.....	1	
47		40173 31105-840-671	STATOR ASSY.....	1	
48		43385 87526-840-670	PLATE, SPECIFICATION.....	1	
49		40179 31127-829-158XC	COVER, STATOR.....	1	

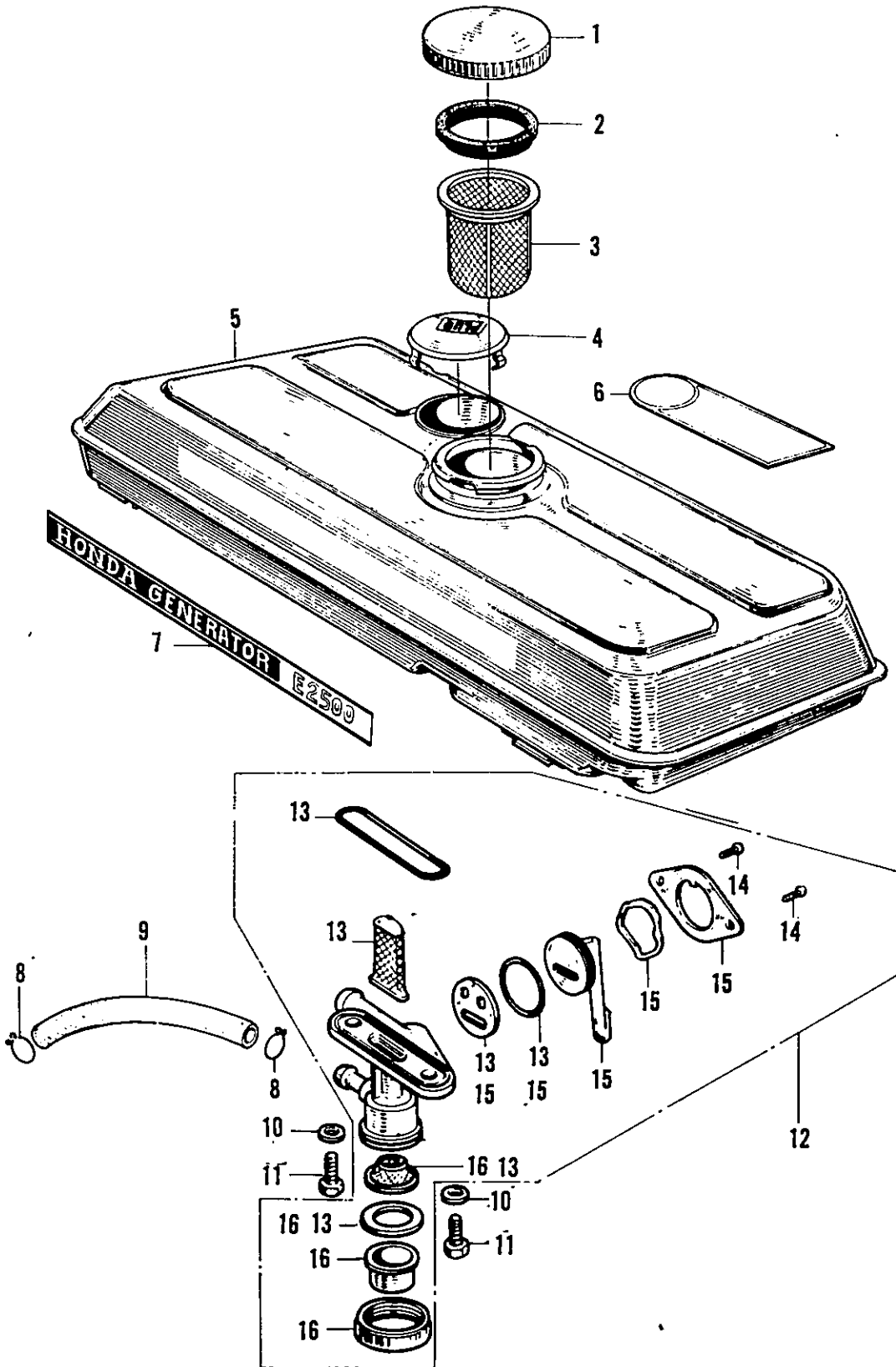
FRAME



FRAME

Ref. No.	H/C	Part Number	Description	E2500K2	Remarks
1	37902	17631-700-000	CUSHION, TANK RUBBER.....	3	
2	39053	17642-839-000	COLLAR, DISTANCE.....	3	
3	05427	92000-06020	BOLT, HEX., 6X20.....	3	
4	38182	63610-839-010H	COVER, BELT.....	1	
5	40209	50313-840-010	FRAME, L SIDE.....	1	
6	05417	92000-06010	BOLT, HEX., 6X10.....	4	
7	13975	17682-817-020	RUBBER, TANK CUSHION.....	8	
8	16059	68331-829-010	PIN, CONTROL BOX SET.....	4	
9	18243	90563-045-000	WASHER, NUMBER BRACKET MOUNT.....	1	
10	40213	50315-840-020	FRAME, REAR UPPER.....	1	
11	05897	94111-06000	WASHER, SPRING, 6MM.....	13	
12	05419	92000-06012	BOLT, HEX., 6X12.....	4	
13	40214	50317-840-010	STOPPER, ENGINE.....	1	
14	51227	91412-538-000	WASHER, AIR DUCT.....	3	
15	05848	94251-06000	PIN, LOCK, 6MM.....	4	
16	11468	94030-08000	NUT, HEX., 8MM.....	4	
17	05909	94101-08000	WASHER, PLAIN, 8MM.....	4	
18	40211	50314-840-020	FRAME, FRONT UPPER.....	1	
19	05911	94101-10000	WASHER, PLAIN, 10MM.....	4	
20	43834	90951-271-000	RIVET, SCREW, 1.8MM.....	2	
21	17587	92000-10040-0A	BOLT, HEX., 10X40.....	4	
22	05900	94111-10000	WASHER, SPRING, 10MM.....	4	
23	43833	87502-708-730	PLATE, MANUFACTOR.....	1	
24	22302	94030-10000	NUT, HEX., 10MM.....	4	
25	29277	68300-829-030	BED, ENGINE.....	1	
26	14171	68310-815-020	RUBBER, ENGINE MOUNT.....	4	
27	40062	50312-840-020	FRAME, R SIDE.....	1	
28	05434	92000-06028	BOLT, HEX., 6X28.....	8	
29	19279	92000-08050-0A	BOLT, HEX., 8X50.....	1	
30	15606	94001-06000-0S	NUT, HEX., 6MM.....	9	
31	40207	50311-840-010	BED, FRAME.....	1	

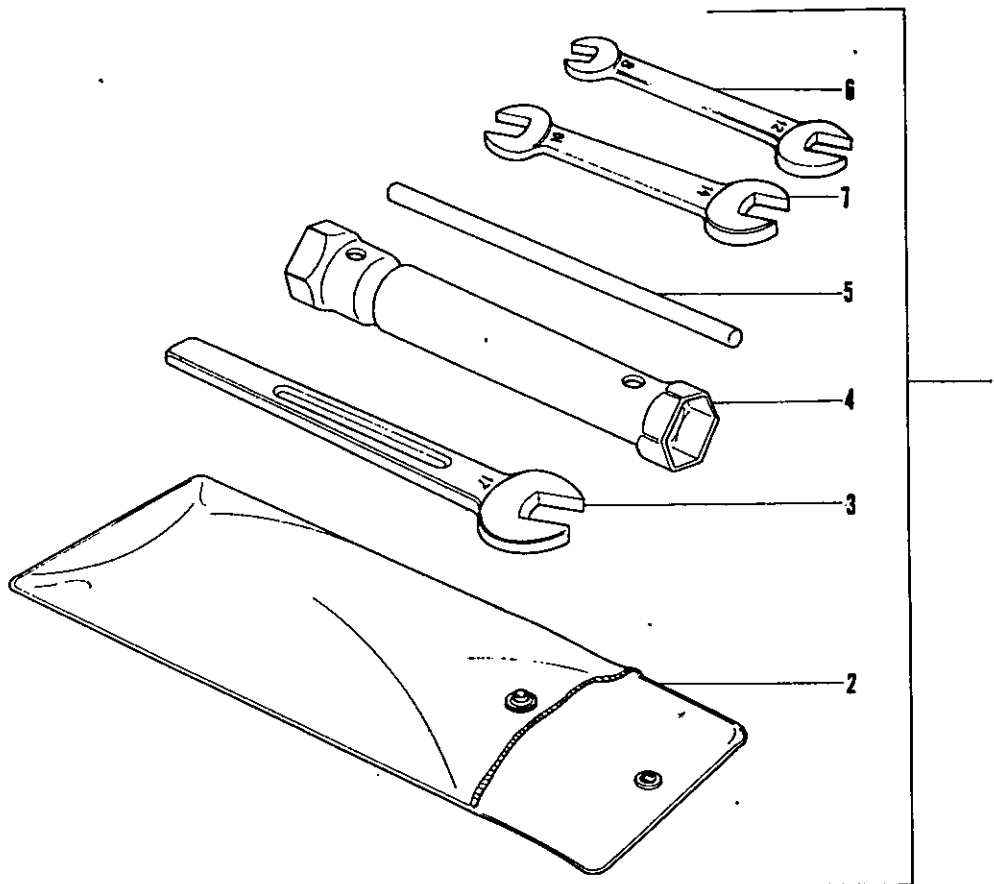
FUEL TANK



FUEL TANK

Ref. No.	H/C	Part Number	Description	E2500K2	Remarks
1	06577	17650-805-750	CAP, FUEL TANK.....	1	
2	20686	17673-703-030	PACKING, FUEL FILTER.....	1	
3	43828	17672-703-731	FILTER COMP., FUEL.....	1	
4	43827	17617-822-010	COVER, PLUG.....	1	
5	43381	17500-840-680XC	TANK, FUEL.....	1	
6	37946	87522-836-670	MARK A, CAUTION.....	1	
7	43384	87101-840-000	MARK, TOP.....	1	
8	33503	95002-02120	CLIP, TUBE, B12.....	2	
9	40159	16851-839-000	TUBE, FUEL.....	1	
10	06502	90445-700-000	PACKING, FIBER, 6MM.....	2	
11	05745	93500-06016	SCREW, PAN, 6X16.....	2	
12	39361	16950-822-005	COCK ASSY., FUEL.....	1	
13	37895	16080-822-005	PACKING SET, FUEL COCK.....	1	
14	16665	93500-03006-0A	SCREW, PAN, 3X6.....	2	
15	37897	16082-822-650	LEVER SET, COCK.....	1	
16	37896	16081-822-005	CAP SET, STRAINER.....	1	

TOOL SET



TOOL SET

Ref. No.	H/C	Part Number	Description	E2500K2	Remarks
1	31673	89000-839-000	TOOL KIT.....	1	
2	06667	83151-805-000	BAG, TOOL.....	1	
3	06664	89206-805-000	SPANNER, 17MM.....	1	
4	17166	89216-829-010	WRENCH COMP., SPARK PLUG.....	1	
5	06665	89219-805-000	HANDLE, BOX WRENCH.....	1	
6	14564	99001-08120	SPANNER, 8X12.....	1	
7	06924	99001-10140	SPANNER, 10X14.....	1	

C

C

C

C

C

C

C