

HONDA

PARTS CATALOG

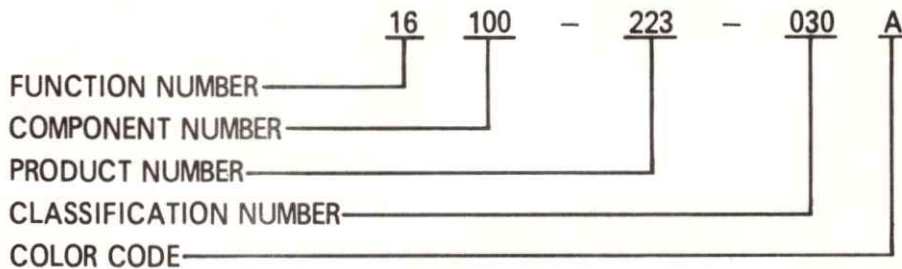
AMERICAN HONDA MOTOR CO., INC.
100 WEST ALONDRA BOULEVARD, GARDENA, CALIFORNIA

Published July 1970

PARTS LIST INTRODUCTION

PART NUMBERS

The following diagram defines the figures used in the new HONDA PART NUMBER SYSTEM.



When placing a parts order with AMERICAN HONDA, be sure to use the HONDA CODE (H/C) in conjunction with the PART NUMBER.

The HONDA CODE for each item shown will be listed directly to the left of the PART NUMBER. Those part numbers without HONDA CODE are not available.

ISO THREADED PARTS

Nominal Dia. (Size of Bolt or Nut)	Width Across Flats (Wrench Size)	
	Present J.I.S.	Modified J.I.S. (I.S.O.)
3 mm	6 mm	5.5 mm
4 mm	8 mm	7 mm
5 mm	9 mm	8 mm
6 mm	10 mm	10 mm
8 mm	14 mm	12 mm
10 mm	17 mm	14 mm
12 mm	19 mm	17 mm
14 mm	21 mm	19 mm
16 mm	23 mm	22 mm
18 mm	26 mm	24 mm
20 mm	29 mm	27 mm

New wrenches in the 5.5 mm, 7 mm, 12 mm, 22 mm, 24 mm and 27 mm sizes will be required for the modified bolts and nuts. All other sizes are currently in use.

This change in hex size affects only the wrench sizes; interchangeability of bolts and nuts is not affected.

Change in Thread Pitch – The standard thread pitches for all bolts, nuts, and screws in the 3 mm, 4 mm, 5 mm and 12 mm sizes are changed as indicated below:

Nominal Dia.	Thread Pitch	
	Present J.I.S.	Modified J.I.S. (I.S.O.)
3 mm	0.6	0.5
4 mm	0.75	0.7
5 mm	0.9	0.8
12 mm	1.5	1.25

These changes will affect the interchangeability of threaded parts in these sizes. Care must be taken to use the correct pitch to avoid stripping.

These changes will also require new taps and dies.

To help avoid confusion in the 3 mm, 4 mm, 5 mm and 12 mm size, wherein the thread pitch has been changed, the modified J.I.S. (I.S.O.) threaded parts used by Honda will be marked such that they can be readily identified. The marks used are as follows:

<u>PART TYPE</u>	<u>DESCRIPTION OF MARKING</u>
STD. HEX BOLT	A number, indicating the strength of the bolt, will be embossed on the top of the bolt head. This mark will appear on modified J.I.S. (I.S.O.) bolts of all sizes, but as explained above all sizes except 4 mm, 5 mm, and 12 mm (there are no 3 mm hex bolts) will interchange with the present J.I.S. parts.
SLOTTED HEX BOLT	There will be a hemispherical embossment (bump) on the top of the bolt head in the 4 mm and 5 mm sizes (3 mm and 12 mm slotted hex bolts are not in use).
CAP BOLT	There will be a hemispherical dimple on the side of the bolt head in the 4 mm, 5 mm and 12 mm sizes (3 mm not in use).
STUD BOLT	There will be a hemispherical dimple or embossment on the nut end in the 5 mm and 12 mm sizes (3 mm and 4 mm studs are not in use).
ALL CROSS RECESS SCREWS	There will be a hemispherical embossment on the top of the screw head in the 3 mm, 4 mm and 5 mm sizes (12 mm not used).

ALL NUTS

There will be a hemispherical dimple on **either the top or side** of the nut in all sizes with changed pitch. This will also apply to nuts that are permanently welded to other parts.

All mechanics and parts department personnel should read and understand this change-over, to avoid confusion and damage to threaded parts.

ENGINE AND FRAME SERIAL NUMBERS

The engine and frame numbers should be checked prior to ordering parts for a specific motorcycle. HONDA engine numbers are located on the left portion of the engine and frame numbers on the left side of the frame body.

Parts list serial numbers are coded (E) for ENGINE and (F) for FRAME to assist you in identification.

Modified parts will show ENGINE or FRAME serial number in the remark column. These numbers will designate the start (FROM) and finish (TO) production run for that item listed to its left.

Newly introduced items will be listed from initial part installation serial numbers.

ILLUSTRATIONS

To aid identification of PARTS, (exploded) illustrations are incorporated in this catalogue. Available items in the illustrations are identified by NUMBERS which correspond with the PARTS descriptions on the PARTS list.

A separate PARTS list is provided for each illustration. Reference numbers on the PARTS list duplicate identification numbers on the illustration for assistance in choosing the correct PART. Addition to the numerical reference numbers, we have used numeral-alphabet reference numbers for the convenience of adding new PARTS to the PARTS list.

Find the illustration of PART you require and check the accompanying PARTS list for its HONDA CODE, NEW PART NUMBER, DESCRIPTION, etc.

PARTS RETURN

PARTS may not be returned to AMERICAN HONDA without prior written authorization. Written authorization may be obtained by writing to AMERICAN HONDA MOTOR CO., INC., 100 West Alondra Blvd., Gardena, California 90247. We will correct any error which we were of primary fault. This would cover damaged

PARTS, (not caused in mishandling by the delivery source), wrong parts, incorrect quantities, etc. Advise us of discrepancies within five (5) days of receipt. **AMERICAN HONDA** is not responsible for **PARTS** – returned to us without written authorization.

ADDITIONAL INFORMATION

1. Dimensions of the **PARTS** in this catalogue are indicated in millimeter units.
2. L or R in the description of a **PART** stands for the **LEFT** hand side or the **RIGHT** hand side, which is decided by the direction of travel of the vehicle.
3. Many standard items, **SPARK PLUGS**, **BOLTS**, **NUTS**, **WASHERS**, **PINS**, which are in constant use are sold in multiples of ten and consideration when placing your order is advised.

4. **ABBREVIATIONS**

ASSY. – Assembly

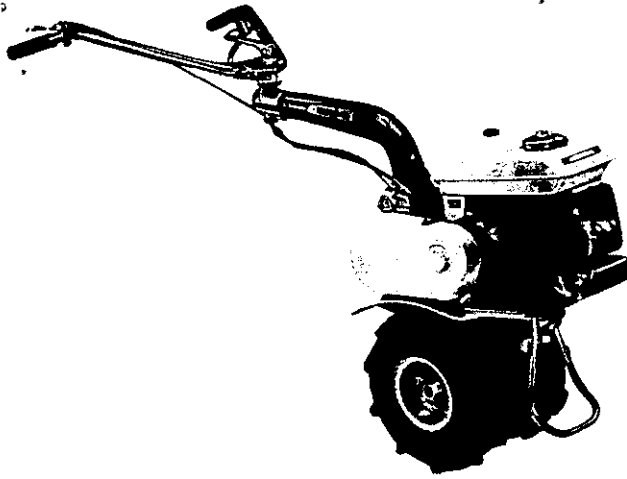
COMP. – Complete

REF. – Reference

HEX. – Hexagonal

ADJ. – Adjusting

STD. – Standard



F-28 CD

CONTENTS

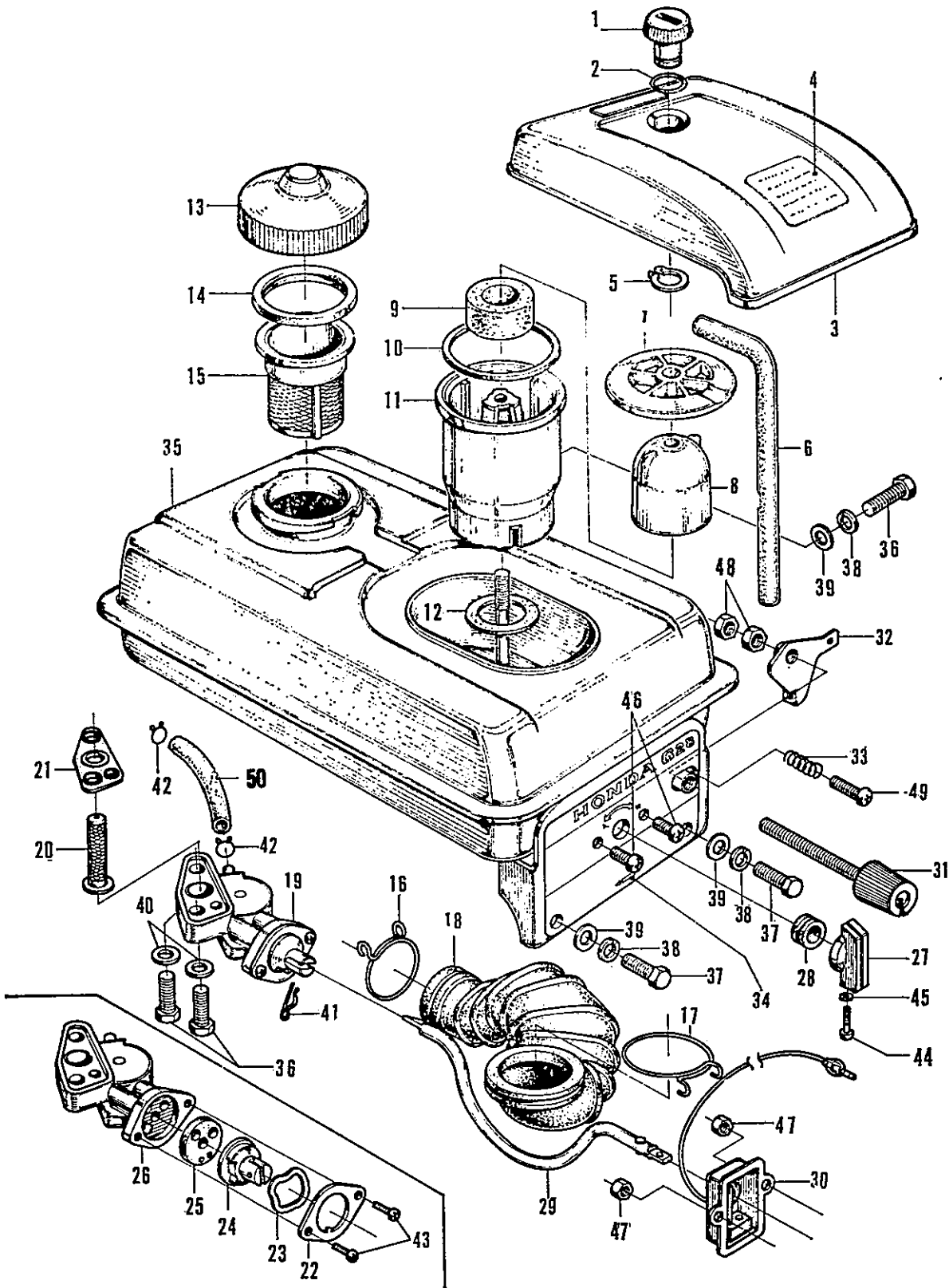
ENGINE GROUP

REF. NO.		PAGE
E - 1....	FUEL TANK.....	2
E - 2....	FAN COVER . STARTER.....	6
E - 3....	MUFFLER . TOOL.....	8
E - 4....	CLUTCH . RIGHT CRANKCASE COVER.....	10
E - 5....	CYLINDER HEAD . CYLINDER.....	12
E - 6....	FLYWHEEL . CRANKCASE.....	16
E - 7....	CRANKSHAFT.....	20
E - 8....	CARBURETOR.....	22

FRAME GROUP

F - 1....	PULLEY . BELT.....	24
F - 2....	LEFT SIDE COVER.....	26
F - 3....	HANDLE . HANDLE COLUMN.....	28
F - 4....	HITCH BOX.....	30
F - 5....	TENSION CLUTCH.....	32
F - 6....	RIGHT SIDE COVER.....	34
F - 7....	WHEEL . FENDER.....	36
F - 8....	ENGINE FRAME.....	38
F - 9....	CASE.....	40
F -10....	WHEEL SHAFT.....	42
	SPECIAL TOOLS.....	44

E-1 Fuel Tank



F28CD

E-1 Fuel Tank

Ref. No.	H/C	Part Number	Description	Mult. of	No. Req'd.	Remarks
1	20704	17235-844-000	NUT, AIR CLEANER CLAMP.....		1	
2	20705	17231-844-303	WASHER, CLEANER COVER.....		1	
3	20706	17230-844-000	COVER, AIR CLEANER.....		1	
4	20707	87535-844-660	PLATE, OIL BATH CAUTION.....		1	
5	20708	17248-844-000	CLIP, AIR CLEANER.....		1	
6	20709	11205-844-000	PIPE, BREATHER.....		1	
7	20710	17212-844-000	SEPARATOR A, AIR CLEANER.....		1	
8	20711	17213-844-000	SEPARATOR B, AIR CLEANER.....		1	
9	20712	17211-844-000	ELEMENT, AIR CLEANER.....		1	
10	20713	17215-844-000	PACKING A, AIR CLEANER.....		1	
11	20714	17210-844-000	PAN, CLEANER OIL.....		1	
12	20715	17216-844-000	PACKING B, AIR CLEANER.....		1	
13	20716	17650-808-000	CAP, FUEL TANK.....		1	
14	20686	17673-703-030	PACKING, FUEL FILTER.....		1	
15	20717	17672-703-020	FILTER, FUEL.....		1	
16	20718	90653-700-000	CIRCLIP, 3/4MM.....		1	
17	20719	17246-844-000	CIRCLIP, 4/2MM.....		1	
18	20720	17240-844-000	TUBE, CONNECTING.....		1	
19	20721	16950-844-004	COCK ASSY., FUEL.....		1	
20	15791	16981-703-004	FILTER, CHECK.....		1	
21	15790	16957-816-004	PACKING, FLANGE.....		1	
22	15788	16954-816-004	HOLDER, LEVER.....		1	
23	15789	16955-816-004	SPRING, COCK LEVER.....		1	
24	20986	16952-844-004	LEVER, COCK.....		1	
25	15786	16952-816-004	PACKING, COCK.....		1	
26	15785	16951-816-004	BODY, COCK.....		1	
27	20722	16962-816-020	KNOB, FUEL COCK.....		1	
28	20723	16963-844-000	GROMMET, COCK SHAFT.....		1	
29	20724	16961-844-010	SHAFT, COCK.....		1	
30	20725	36100-844-035	SWITCH ASSY., ENGINE.....		1	
31	20726	16570-844-000	SHAFT, CONTROL.....		1	
32	20727	16572-844-300	GUIDE, CONTROL.....		1	
33	20728	16575-844-000	SPRING, STOPPER.....		1	
34	20687	87111-844-670	PLATE, CAUTION.....		1	
35	20729	17500-844-000	TANK, FUEL.....		1	
36	05427	92000-06020	BOLT, HEX., 6X20.....	10	3	

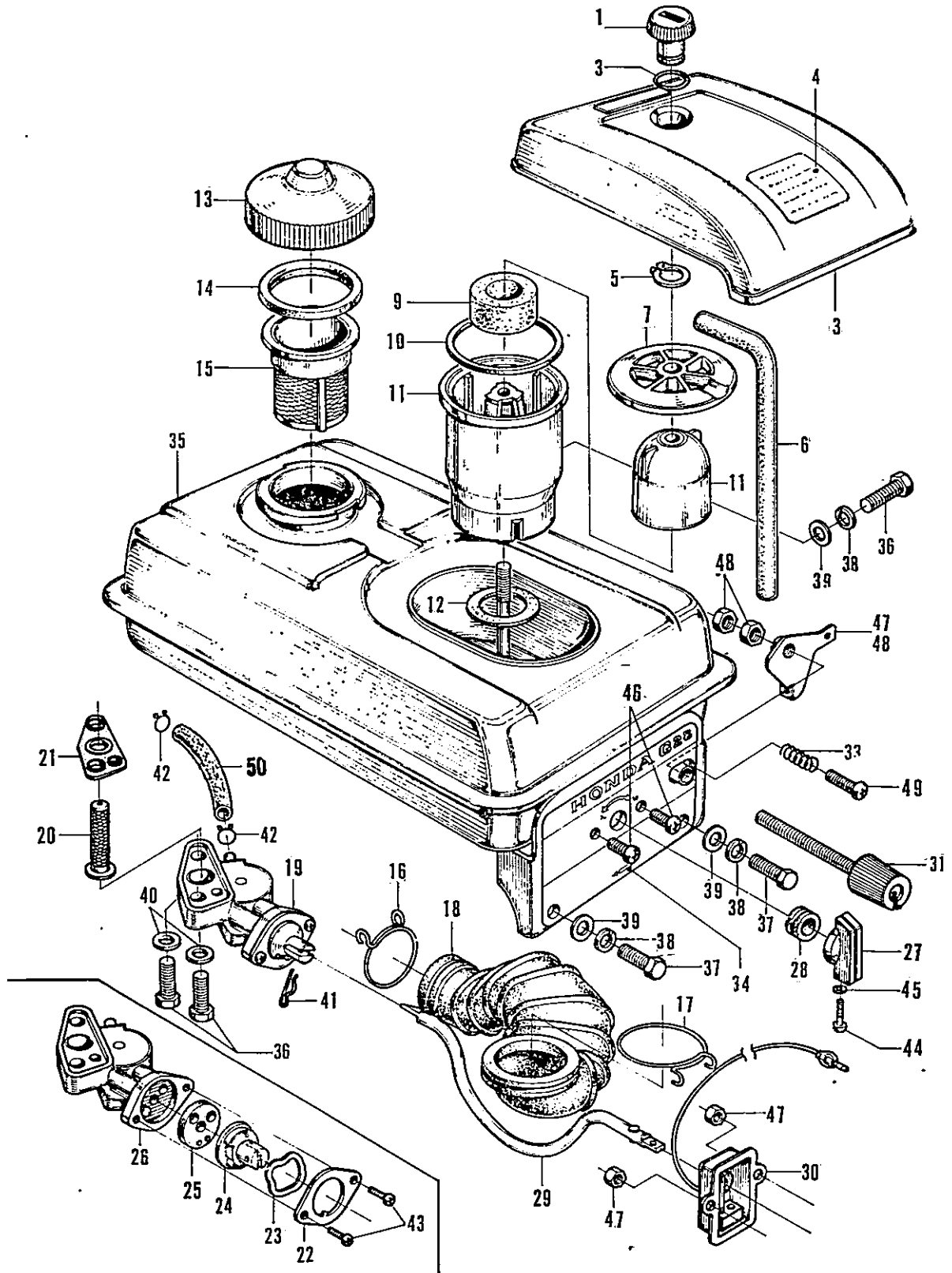
F28CD

E-1 Fuel Tank

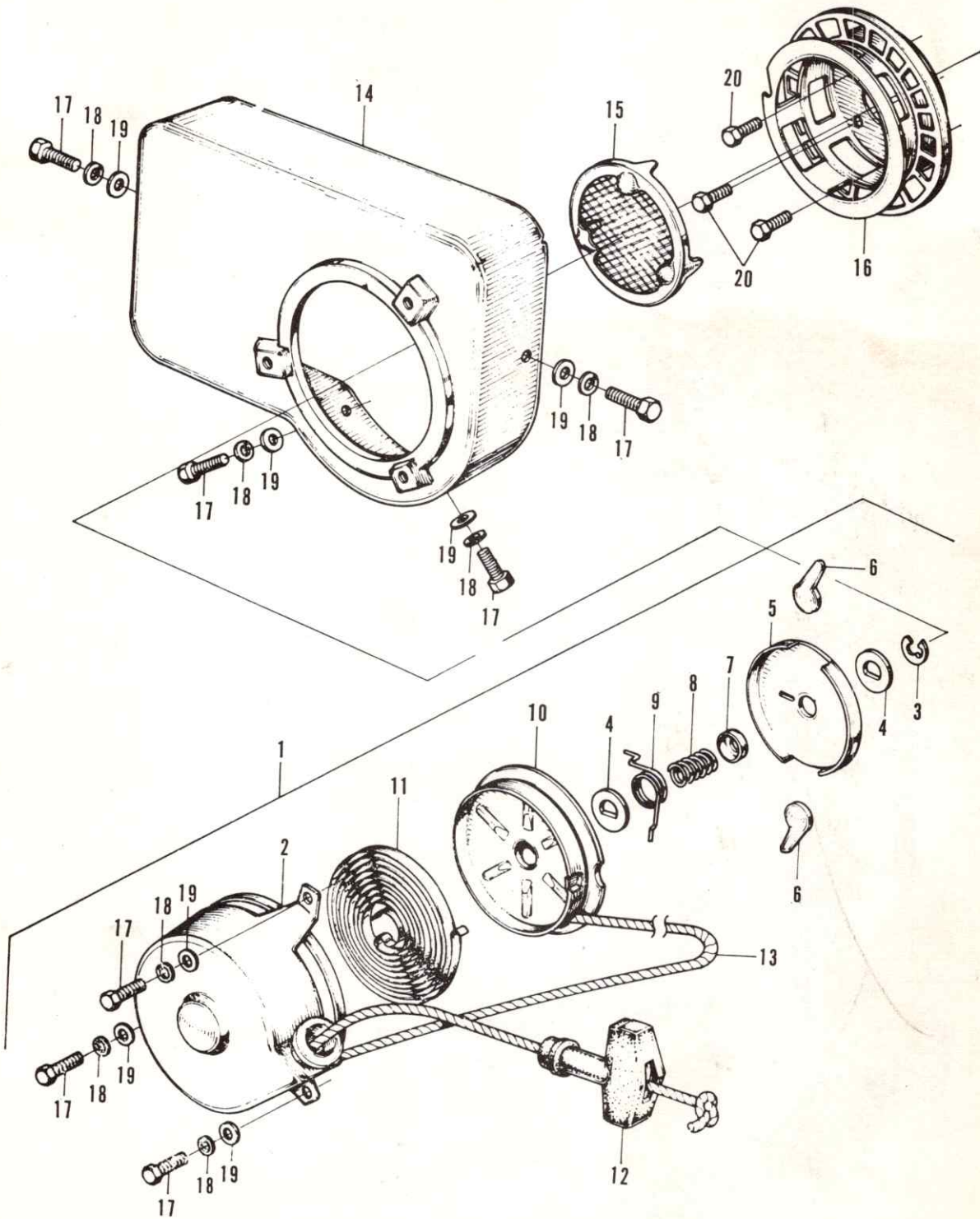
Ref. No.	H/C	Part Number	Description	Mult. of	No. Req'd.	Remarks
37	05423	92000-06016	BOLT, HEX., 6X16.....	10	2	
38	05897	94111-06000	WASHER, LOCK, 6MM.....	10	3	
39	05907	94101-06000	WASHER, FLAT, 6MM.....	10	3	
40	08243	16913-703-000	PACKING, STRAINER SETTING.....		2	
41	20730	90731-816-650	PIN, LOCK, 10MM.....		1	
42	05353	95002-45000	CLIP, FUEL TUBE, 4.5MM.....	10	2	
43	16665	93500-03006-0A	SCREW, PAN, 3X6.....	10	2	
44	20731	93500-03016-0A	SCREW, PAN, 3X16.....	10	1	
45	05894	94111-03000	WASHER, SPRING, 3MM.....	10	1	
46	15646	93500-04008-0A	SCREW, PAN, 4X8.....	10	2	
47	20968	94001-04000-0S	NUT, HEX., 4MM.....	10	2	
48	18103	94002-06000-0S	NUT, HEX., 6MM.....	10	2	
49	16946	93500-04012-0A	SCREW, PAN, 4X12.....	10	1	
50	20098	95001-45000	TUBE, FUEL 4.5.....		1	

28 F28CD 25000-0-LS
 32 0 1000-0-0000 0 0 0 0

E-1 Fuel Tank



E-2 Fan Cover . Starter



F28CD**E-2 Fan Cover Starter**

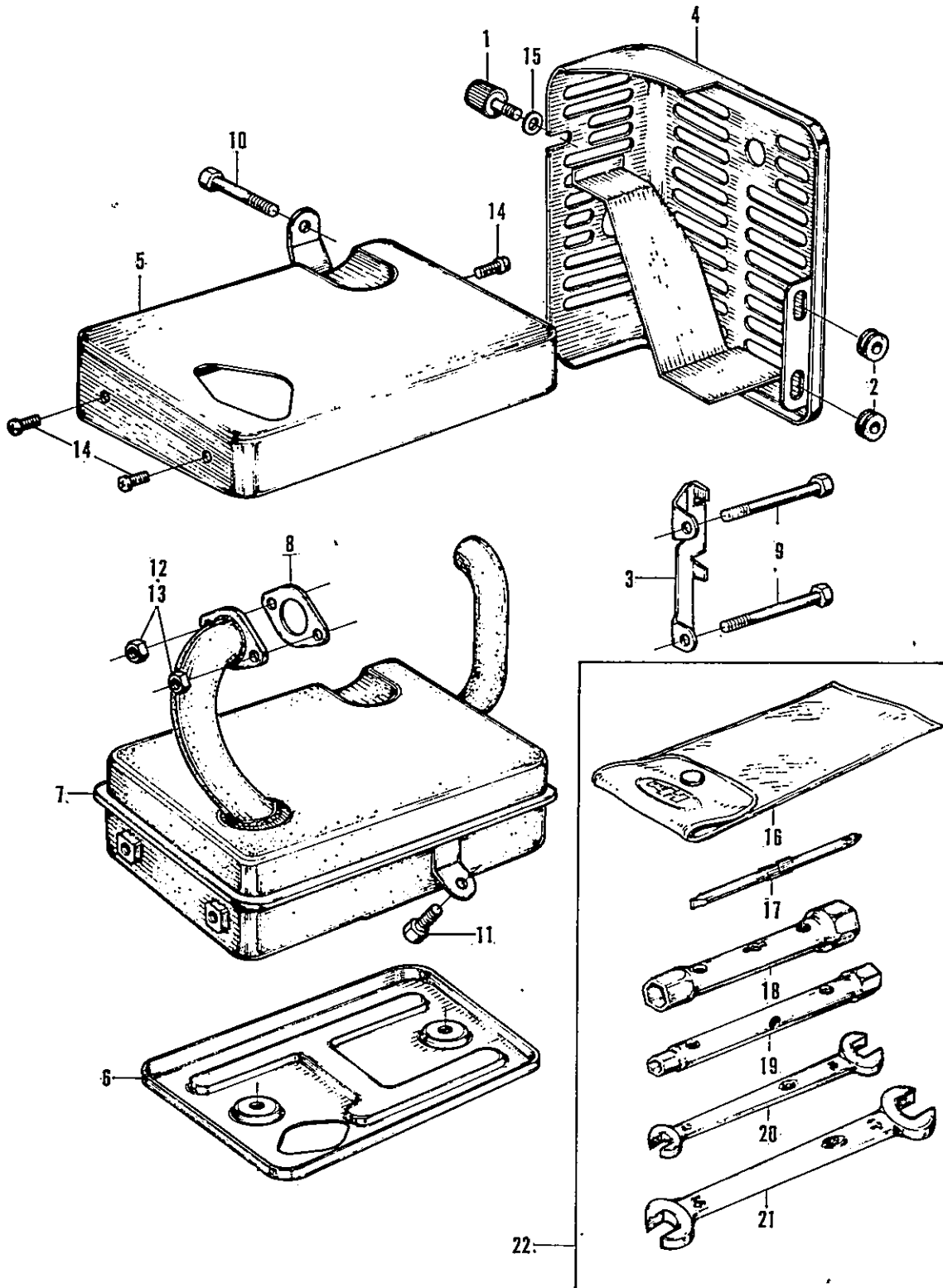
Ref. No.	H/C	Part Number	Description	Mult. of	No. Req'd.	Remarks
1	15819	28400-816-040C	STARTER ASSY., RECOIL.....		1	
2	15820	28410-816-010C	CASE, RECOIL STARTER.....		1	
3	15827	28446-816-000	E RING.....		1	
4	15826	28445-816-000	WASHER, STARTER.....		2	
5	15824	28443-816-000	PLATE, FRICTION.....		1	
6	15823	28441-816-000	RATCHET, STARTER.....		2	
7	15830	28453-816-000	COVER, STARTER SPRING.....		1	
8	15825	28444-816-000	SPRING, FRICTION.....		1	
9	15828	28447-816-000	SPRING, SET.....		1	
10	15821	28420-816-000	PULLEY, RECOIL STARTER.....		1	
11	15829	28451-816-000	SPRING, STARTER RETURN.....		1	
12	15833	28481-816-000	HANDLE, STARTER.....		1	
13	15831	28471-816-000	ROPE, RECOIL STARTER.....		1	
14	20733	19600-844-000	COVER, FAN.....		1	
15	20734	28490-816-000	SCREEN, CENTER.....		1	
16	20735	28430-844-003	PULLEY, STARTER RATCHET.....		1	
17	15644	92000-06012-0A	BOLT, HEX., 6X12.....	10	7	
18	05897	94111-06000	WASHER, SPRING 6MM.....	10	7	
19	05907	94101-06000	WASHER, PLAIN, 6MM.....	10	7	
20	17169	92000-05008-0A	BOLT, HEX., 5X8.....	10	3	

F28CD

E-3 Muffler . Tool

Ref. No.	H/C	Part Number	Description	Mult. of	No. Req'd.	Remarks
1		20670 63505-844-000	LATCH, SIDE COVER.....		1	
2		12204 36151-805-641	GROMMET A, CORD.....		2	
3		20671 63502-844-000	STAY, SIDE COVER.....		1	
4		20672 63501-844-000	COVER, RIGHT SIDE.....		1	
5		15807 18330-816-010	PROTECTOR A, MUFFLER.....		1	
6		15808 18340-816-010	PROTECTOR B, MUFFLER.....		1	
7		20673 18300-844-000	MUFFLER.....		1	
8		15805 18232-816-020	PACKING, EXHAUST PIPE.....		1	
9		05444 92000-06045	BOLT, HEX., 6X45.....	10	2	
10		05432 92000-06025	BOLT, HEX., 6X25.....	10	1	
11		15644 92000-06012-0A	BOLT, HEX., 6X12.....	10	1	
12		15606 94001-06000-0S	NUT, HEX., 6MM.....	10	3	
13		05802 94001-06020	NUT, HEX., 6MM.....	10	2	
14		15932 93500-05006-0B	SCREW, PAN, 5X6.....	10	2	
15		05907 94101-06000	WASHER, PLAIN, 6MM.....	10	1	
16		06667 83151-805-000	BAG, TOOL.....		1	
17		12748 83513-044-000	DRIVER.....		1	
18		12749 83517-044-000	WRENCH, SPARK PLUG.....		1	
19		06666 89214-700-000	WRENCH, BOX, 10X14.....		1	
20		14564 99001-08120	SPANNER, 8X12.....		1	
21		18756 99001-14170	SPANNER, 14X17.....		1	
22		20688 89000-715-000	TOOL ASSY.....		1	

E-3 Muffler . Tool



E-4 Clutch . Right Crankcase Cover

