

# **HONDA**

**PARTS CATALOG**

# **MR250-76**

**HC 43435**

**P8184**

**AMERICAN HONDA MOTOR CO., INC.  
100 WEST ALONDRA BOULEVARD, GARDENA, CALIFORNIA**

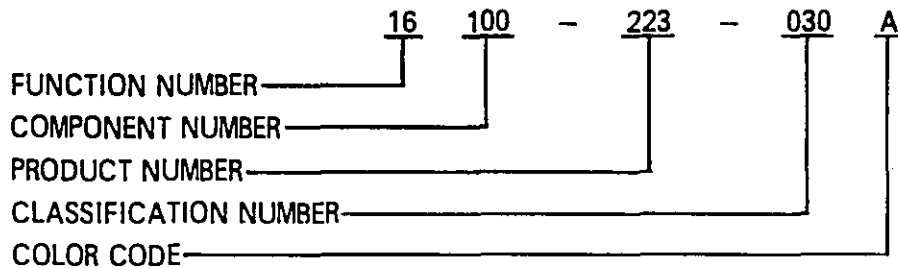
**OCTOBER, 1975**

© American Honda Motor Co., Inc. 1975

# INSTRUCTION FOR USE OF PARTS CATALOG

## PART NUMBERS

The following diagram defines the figures used in the new HONDA PART NUMBER SYSTEM.



When placing a parts order with AMERICAN HONDA, be sure to use the HONDA CODE (H/C) in conjunction with the PART NUMBER.

The HONDA CODE for each item shown will be listed directly to the left of the PART NUMBER. Those part numbers without HONDA CODE are not available.

## ISO THREADED PARTS

Nominal Dia. (Size of Bolt or Nut)	Width Across Flats (Wrench Size)	
	Present J.I.S.	Modified J.I.S. (I.S.O.)
3 mm	6 mm	5.5 mm
4 mm	8 mm	7 mm
5 mm	9 mm	8 mm
6 mm	10 mm	10 mm
8 mm	14 mm	12 mm
10 mm	17 mm	14 mm
12 mm	19 mm	17 mm
14 mm	21 mm	19 mm
16 mm	23 mm	22 mm
18 mm	26 mm	24 mm
20 mm	29 mm	27 mm

New wrenches in the 5.5 mm, 7 mm, 12 mm, 22 mm, 24 mm and 27 mm sizes will be required for the modified bolts and nuts. All other sizes are currently in use.

This change in hex size affects only the wrench sizes; interchangeability of bolts and nuts is not affected.

Change in Thread Pitch – The standard thread pitches for all bolts, nuts, and screws in the 3 mm, 4 mm, 5 mm and 12 mm sizes are changed as indicated below:

<u>Nominal Dia.</u>	<u>Thread Pitch</u>	
	<u>Present J.I.S.</u>	<u>Modified J.I.S. (I.S.O.)</u>
3 mm	0.6	0.5
4 mm	0.75	0.7
5 mm	0.9	0.8
12 mm	1.5	1.25

These changes will affect the interchangeability of threaded parts in these sizes. Care must be taken to use the correct pitch to avoid stripping.

These changes will also require new taps and dies.

To help avoid confusion in the 3 mm, 4 mm, 5 mm and 12 mm size, wherein the thread pitch has been changed, the modified J.I.S. (I.S.O.) threaded parts used by Honda will be marked such that they can be readily identified. The marks used are as follows:

<u>PART TYPE</u>	<u>DESCRIPTION OF MARKING</u>
STD. HEX BOLT	A number, indicating the strength of the bolt, will be embossed on the top of the bolt head. <b>This mark will appear on modified J.I.S. (I.S.O.) bolts of all sizes</b> , but as explained above all sizes except 4 mm, 5 mm, and 12 mm (there are no 3 mm hex bolts) will interchange with the present J.I.S. parts.
SLOTTED HEX BOLT	There will be a hemispherical embossment (bump) on the top of the bolt head in the 4 mm and 5 mm sizes (3 mm and 12 mm slotted hex bolts are not in use).
CAP BOLT	There will be a hemispherical dimple on the <b>side</b> of the bolt head in the 4 mm, 5 mm and 12 mm sizes (3 mm not in use).
STUD BOLT	There will be a hemispherical dimple or embossment on the nut end in the 5 mm and 12 mm sizes (3 mm and 4 mm studs are not in use).
ALL CROSS RECESS SCREWS	There will be a hemispherical embossment on the top of the screw head in the 3 mm, 4 mm and 5 mm sizes (12 mm not used).

**ALL NUTS**                    There will be a hemispherical dimple on **either the top or side** of the nut in all sizes with changed pitch. This will also apply to nuts that are permanently welded to other parts.

All mechanics and parts department personnel should read and understand this change-over, to avoid confusion and damage to threaded parts.

### **ENGINE AND FRAME SERIAL NUMBERS**

The engine and frame numbers should be checked prior to ordering parts for a specific motorcycle. HONDA engine numbers are located on the left portion of the engine and frame numbers on the left side of the frame body.

Parts list serial numbers are coded (E) for ENGINE and (F) for FRAME to assist you in identification.

Modified parts will show ENGINE or FRAME serial number in the remark column. These numbers will designate the start (FROM) and finish (TO) production run for that item listed to its left.

Newly introduced items will be listed from initial part installation serial numbers.

### **ILLUSTRATIONS**

To aid identification of PARTS, (exploded) illustrations are incorporated in this catalogue. Available items in the illustrations are identified by NUMBERS which correspond with the PARTS descriptions on the PARTS list.

A separate PARTS list is provided for each illustration. Reference numbers on the PARTS list duplicate identification numbers on the illustration for assistance in choosing the correct PART. Addition to the numerical reference numbers, we have used numeral-alphabet reference numbers for the convenience of adding new PARTS to the PARTS list.

Find the illustration of PART you require and check the accompanying PARTS list for its HONDA CODE, NEW PART NUMBER, DESCRIPTION, etc.

### **PARTS RETURN**

PARTS may not be returned to AMERICAN HONDA without prior written authorization. Written authorization may be obtained by writing to AMERICAN HONDA MOTOR CO., INC., 100 West Alondra Blvd., Gardena, California 90247. We will correct any error which we were of primary fault. This would cover damaged

PARTS, (not caused in mishandling by the delivery source), wrong parts, incorrect quantities, etc. Advise us of discrepancies within five (5) days of receipt. AMERICAN HONDA is not responsible for PARTS – returned to us without written authorization.

#### ADDITIONAL INFORMATION

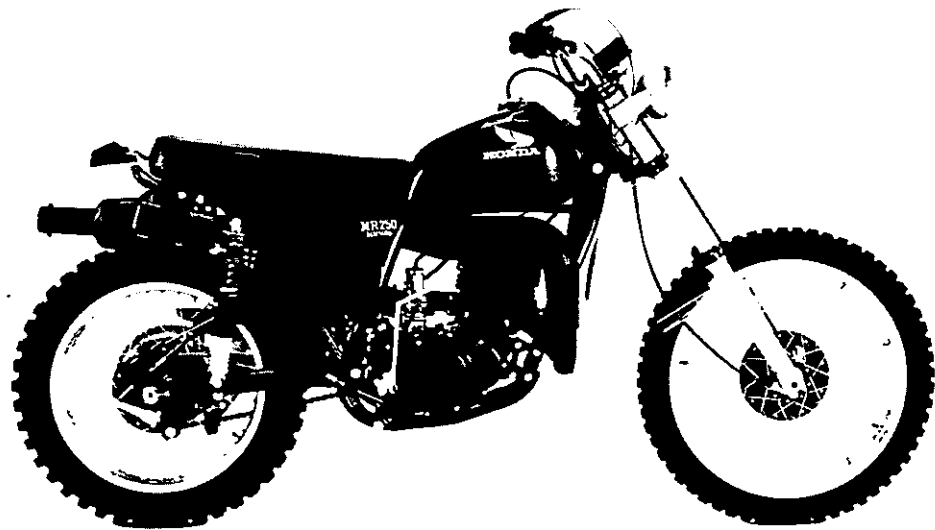
1. Dimensions of the PARTS in this catalogue are indicated in millimeter units.
2. L or R in the description of a PART stands for the LEFT hand side or the RIGHT hand side, which is decided by the direction of travel of the vehicle.
3. Many standard items, SPARK PLUGS, BOLTS, NUTS, WASHERS, PINS, which are in constant use are sold in multiples of ten and consideration when placing your order is advised.

#### 4. ABBREVIATIONS

ASSY. – Assembly  
COMP. – Complete

REF. – Reference  
HEX. – Hexagonal

ADJ. – Adjusting  
STD. – Standard



## MR 250

ENGINE NO.: 1000001 TO SUBSEQUENT  
FRAME NO.: 1000001 TO SUBSEQUENT

\*\*\*\*\* ADDITIONAL INFORMATION \*\*\*\*\*

<u>ORDER CODE</u>	<u>H/C</u>	<u>DESCRIPTION</u>
P8184	43435	MR250-76 Parts Catalog
P9210	42346	MR250-76 Owners Manual
P8645	43480	MR250-76 Shop Manual

## MR250-76 COMMONLY REQUIRED REPLACEMENT PARTS

<u>H/C</u>	<u>Part Number</u>	<u>Description</u>
38125	45120-329-670	BRAKE SHOE, FRONT
38124	43120-329-670	BRAKE SHOE, REAR
39492	34901-030-003	BULB/HEADLIGHT *6V 25/25W*
02962	34902-202-000	BULB/TAILLIGHT *6V 3W*
34892	22870-358-000	CABLE, CLUTCH
41094	17910-381-000	CABLE, THROTTLE
41118	40530-381-003	CHAIN, DRIVE *104L* *DAIDO*
41177	40530-381-811	CHAIN, DRIVE *106L* *DAIDO*
41113	30500-381-000	COIL
42779	30250-395-670	CONDENSER
41087	17214-381-000	ELEMENT, AIR CLEANER
30879	53166-116-670	GRIP, LEFT HANDLE
30878	53165-116-670	GRIP, RIGHT HANDLE
40004	33141-373-670	LENS, TAILLIGHT
38553	53175-360-700	LEVER, BRAKE
38554	53178-360-700	LEVER, CLUTCH
41689	40531-381-000	MASTER LINK
42798	46500-395-670	PEDAL, BRAKE
34906	24701-358-000	PEDAL, GEAR CHANGE
42743	13101-395-000	PISTON *STD*
42744	13102-395-000	PISTON *0.25*
34914	30200-358-004	POINTS
41077	13011-381-003	RING SET *STD*
41078	13021-381-003	RING SET *0.25*
22855	98079-58840	SPARK PLUG *B8ES* *NGK*
42786	37200-395-670	SPEEDOMETER
42774	23801-395-810	SPROCKET T, DRIVE *13T*
42775	23802-395-000	SPROCKET, DRIVE *14T*
32995	23803-357-810	SPROCKET, DRIVE *15T*
42789	41201-395-670	SPROCKET, REAR *47T*
42790	41201-395-810	SPROCKET, REAR *49T*
42791	41201-395-820	SPROCKET, REAR *51T*
36648	44711-357-003	TIRE, FRONT *3.00X21* *BRIDGESTONE*
36649	42711-357-003	TIRE, REAR *4.00X18* *BRIDGESTONE*
28173	44712-329-003	TUBE, FRONT
36259	42712-374-003	TUBE, REAR *BRIDGESTONE*

# CONTENTS

## ENGINE GROUP

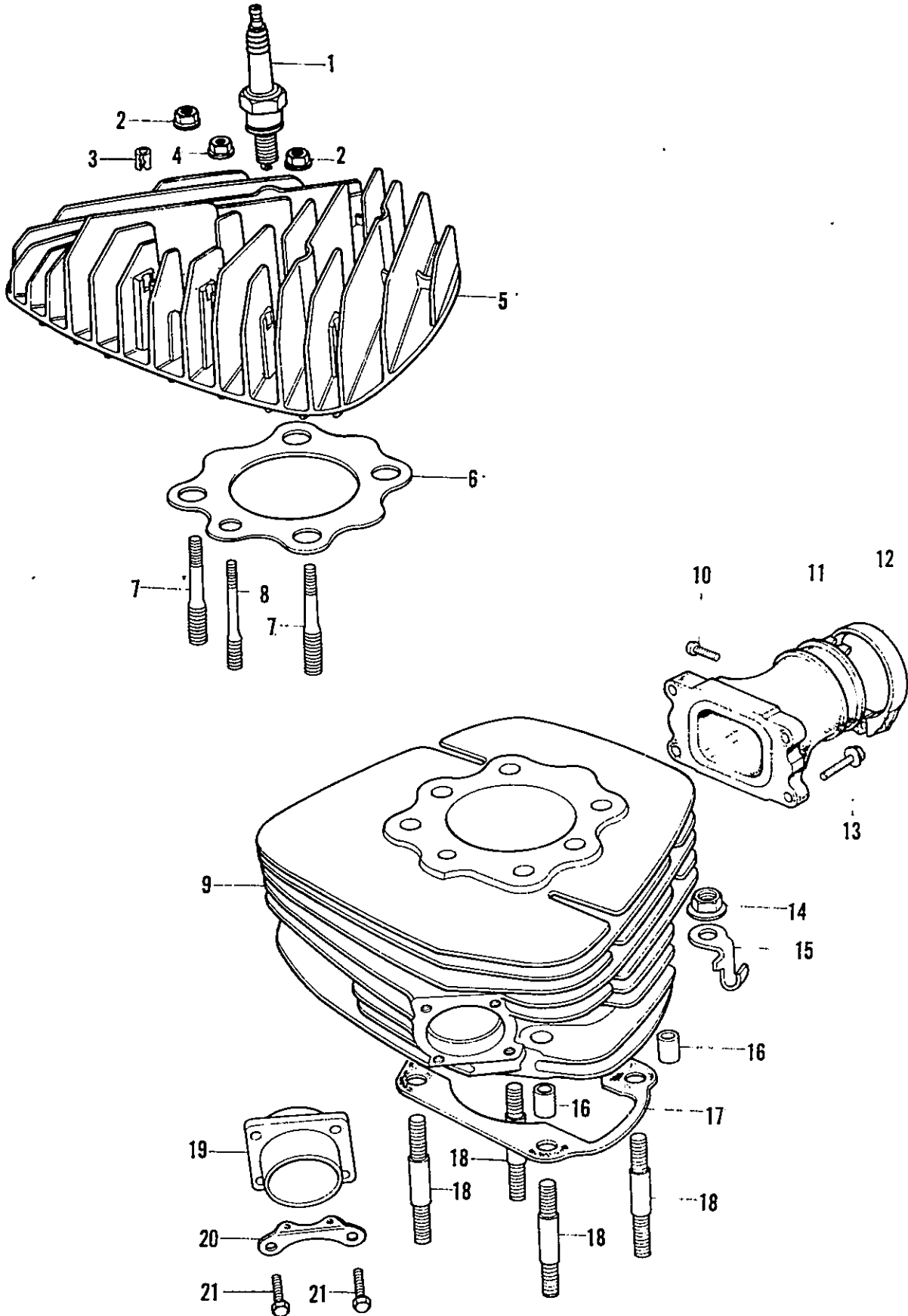
PAGE

CYLINDER • CYLINDER HEAD.....	3
RIGHT CRANKCASE COVER • KICK STARTER.....	5
CLUTCH.....	7
LEFT CRANKCASE COVER • GENERATOR.....	9
CRANKCASE.....	11
CRANKSHAFT • PISTON.....	13
TRANSMISSION.....	15
SHIFT DRUM.....	17
CARBURETOR.....	19

## FRAME GROUP

HANDLE GRIP • CABLE.....	21
SPEEDOMETER.....	23
HEADLIGHT.....	25
STEERING STEM • TOP BRIDGE • HANDLE BAR.....	27
FRONT FENDER.....	29
FRONT FORK.....	31
FRONT WHEEL.....	33
FRONT BRAKE PANEL.....	35
REAR WHEEL.....	37
REAR BRAKE PANEL.....	39
FUEL TANK.....	41
SEAT • TOOL.....	43
AIR CLEANER • SIDE COVER.....	45
EXPANSION CHAMBER.....	47
REAR SHOCK ABSORBER.....	49
REAR FORK • CHAINCASE.....	51
KICK ARM • CHANGE PEDAL • REAR BRAKE PANEL.....	53
STEP • STAND.....	55
REAR FENDER • TAILLIGHT.....	57
FRAME BODY • WIRE HARNESS.....	59
INDEX.....	61

# CYLINDER . CYLINDER HEAD

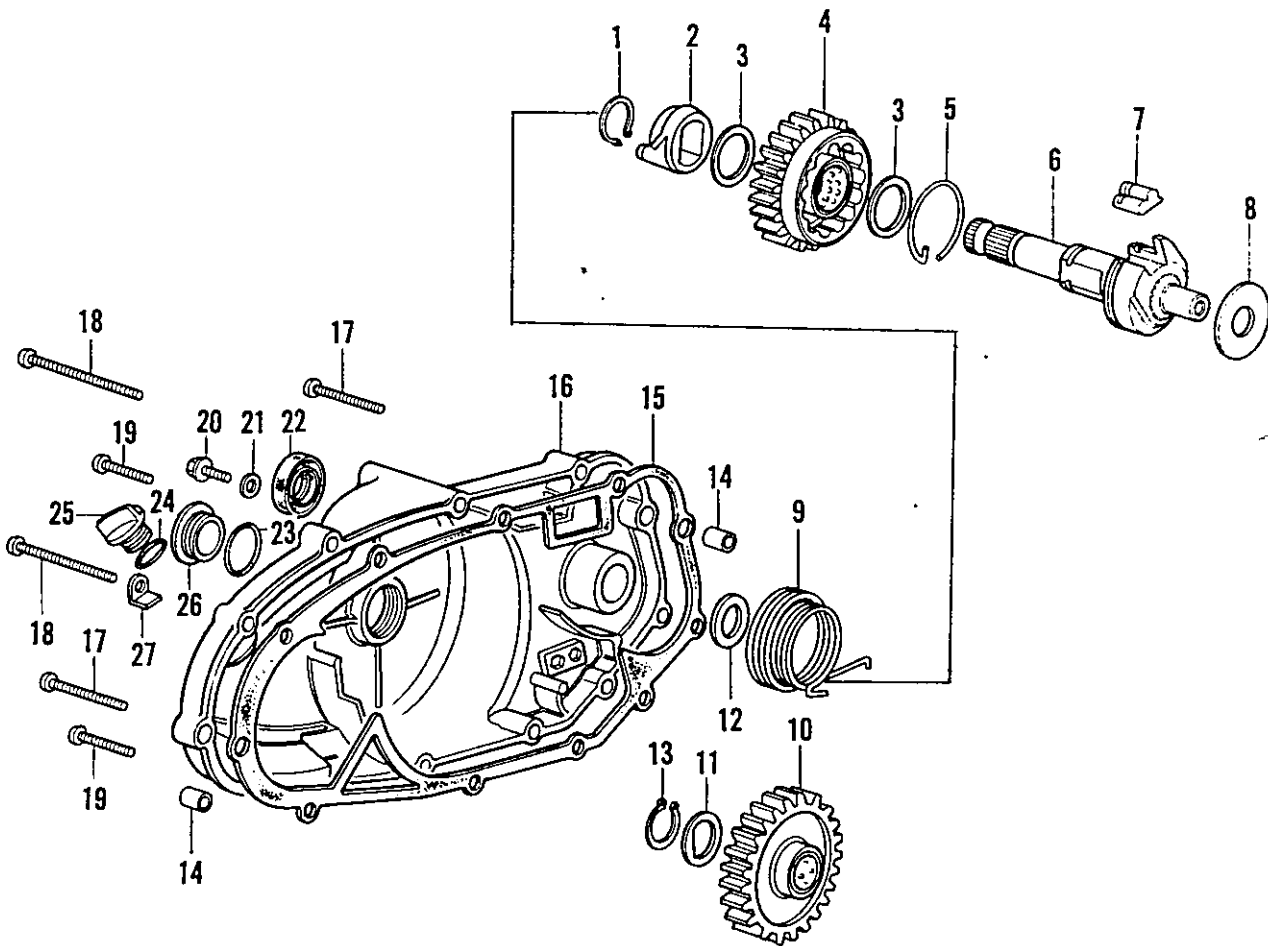




# CYLINDER . CYLINDER HEAD

Ref. No.	H/C	Part Number	Description	MR 250	Remarks
1	22855	98079-58840	PLUG, SPARK *BBES NGK*.....	1	
2	18918	90236-300-000	NUT, 8MM.....	4	
3	42828	90701-395-000	PIN, SPRING, 10X10.....	4	
4	32210	90233-357-000	NUT, FLANGE, 6MM.....	1	
5	41076	12200-381-000	HEAD, CYLINDER.....	1	
6	42742	12251-395-000	GASKET, CYLINDER HEAD.....	1	
7	41163	90032-381-000	BOLT, CYLINDER STUD.....	4	
8	32194	90034-357-010	BOLT, STUD, 6X55.....	1	
9	42740	12100-395-000	CYLINDER COMP.....	1	
10	14555	93500-05016-0A	SCREW, PAN, 5X16.....	1	
11	41084	16221-381-003	PIPE, INLET.....	1	
12	32001	16223-357-010	BAND, INSULATOR.....	1	
13	33002	90050-357-000	BOLT, SPECIAL FLANGE, 6X22.....	4	
14	41167	90231-381-000	NUT, SPECIAL, 10MM.....	4	
15	41075	12193-381-000	CLAMP, CLUTCH CABLE.....	1	
16	32196	90036-357-000	PIN, DOWEL, 12X16.....	2	
17	41074	12191-381-000	GASKET, CYLINDER.....	1	
18	41162	90031-381-000	BOLT, STUD, 10X68.....	4	
19	41099	18351-381-000	JOINT, EXHAUST PIPE.....	1	
20	32019	18331-357-000	STAY, EXHAUST PIPE.....	1	
21	05425	92000-06018	BOLT, HEX., 6X18.....	4	

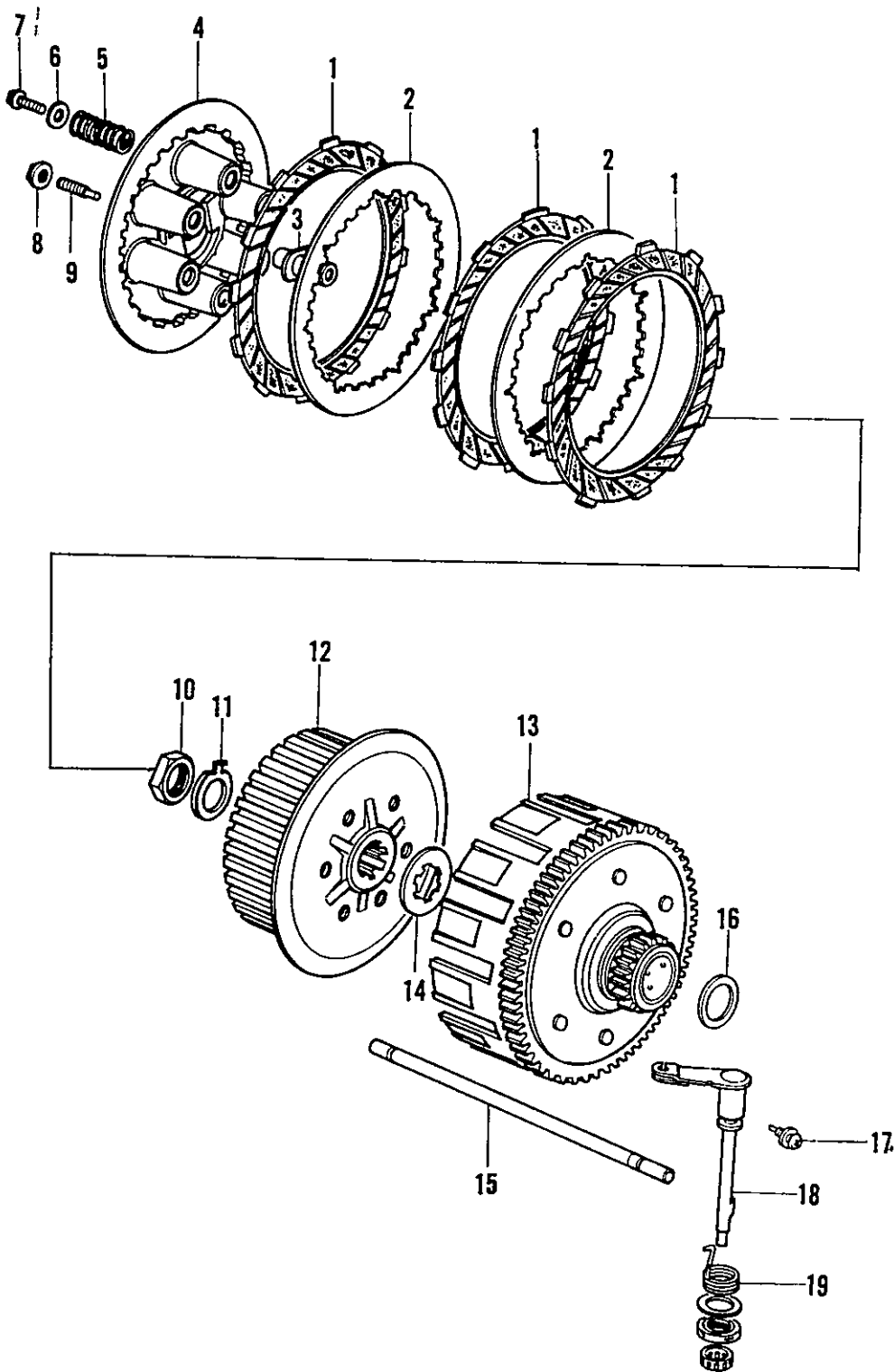
# RIGHT CRANKCASE COVER . KICK STARTER



## RIGHT CRANKCASE COVER . KICK STARTER

Ref. No.	H/C	Part Number	Description	MR 250	Remarks
1	12815	94510-22000	CIRCLIP, EXTERNAL, 22MM.....	1	
2	41687	28259-357-020	RETAINER, KICK STARTER SPRING.....	1	
3	33501	90456-703-000	WASHER, THRUST, 22MM.....	2	
4	32072	28210-357-020	PINION COMP., KICK STARTER.....	1	
5	32075	28258-357-020	SPRING, PAWL SET.....	1	
6	34907	28250-357-030	SPINDLE COMP., KICK STARTER..... (SUPERSEDED BY 28250-358-000)	1	
	37501	28250-358-000	SPINDLE COMP., KICK STARTER.....	1	
7	32991	28255-357-010	PAWL, KICK STARTER.....	1	
8	29387	90454-329-000	WASHER, 16MM.....	1	
9	32077	28261-357-030	SPRING, KICK STARTER.....	1	
10	32073	28230-357-020	GEAR COMP., STARTER IDLE.....	1	
11	32217	90433-357-000	WASHER, THRUST, 17MM.....	1	
12	35019	90451-357-000	WASHER, 18MM.....	1	
13	16953	94510-17000	CIRCLIP, EXTERNAL, 17MM.....	1	
14	06933	94301-10140	PIN A, KNOCK, 10X14.....	2	
15	31982	11394-357-040	GASKET, RIGHT CRANKCASE COVER.....	1	
16	41070	11331-381-000	COVER, RIGHT CRANKCASE.....	1	
17	05757	93500-06035	SCREW, PAN, 6X35.....	2	
18	05769	93500-06065	SCREW, PAN, 6X65.....	3	
19	05754	93500-06028	SCREW, PAN, 6X28.....	6	
20	34102	90037-360-000	BOLT, OIL CHECK.....	1	
	35048	95700-06010	BOLT, FLANGE, 6X10.....	1	
21	35021	90461-357-000	WASHER, SEALING, 12MM.....	1	
22	15325	91204-286-003	OIL SEAL, 18X29X7.....	1	
23	33500	91302-567-003	O RING, 27.4X2.4.....	1	
24	06509	91303-800-000	O RING, 16MM.....	1	
25	41082	15611-381-000	CAP, OIL FILLER.....	1	
26	31980	11335-357-000	CAP, CLUTCH ADJUST.....	1	
27	42739	11332-395-000	STOPPER, BRAKE ARM.....	1	

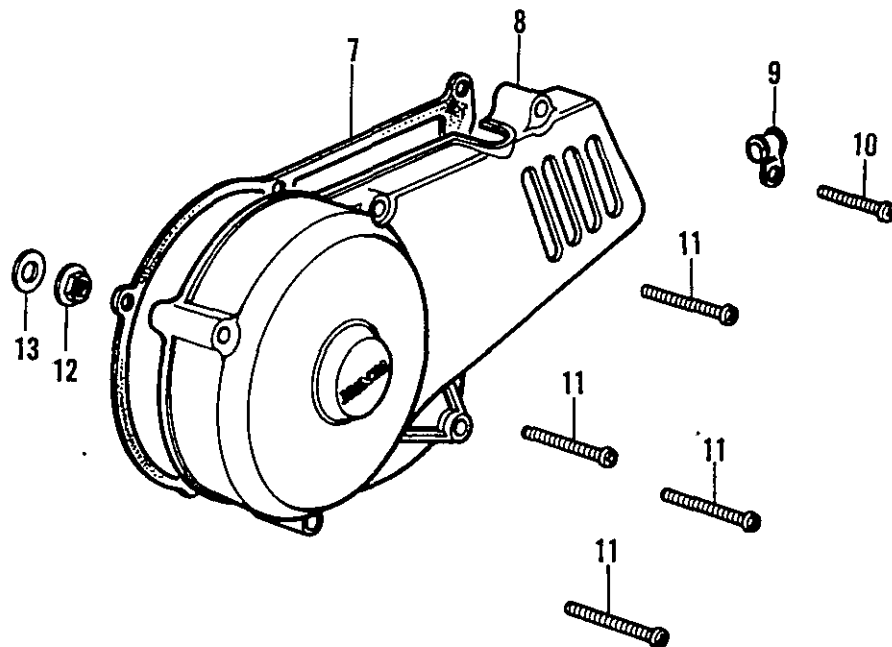
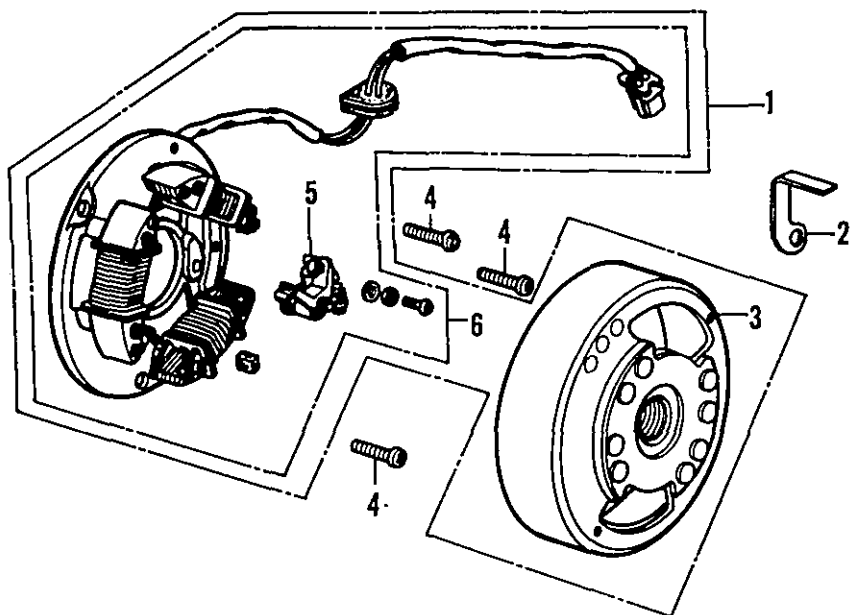
# CLUTCH



# CLUTCH

Ref. No.	H/C	Part Number	Description	MR 250	Remarks
1	32030	22201-357-020	DISK, CLUTCH FRICTION.....	7	
2	32031	22321-357-010	PLATE B, CLUTCH.....	6	
3	32033	22352-357-040	PIECE, PRESSURE PLATE CENTER.....	1	
4	32032	22351-357-030	PLATE, CLUTCH PRESSURE.....	1	
5	32034	22401-357-010	SPRING, CLUTCH.....	1	
6	16645	90581-831-650	WASHER, 18MM.....	6	
7	33002	90050-357-000	BOLT, SPECIAL FLANGE, 6X22.....	6	
8	32211	90234-357-000	NUT, FLANGE, 8MM.....	1	
9	32038	22853-357-010	SCREW, CLUTCH ADJUST.....	1	
10	32212	90235-357-000	NUT, HEX., 18MM.....	1	
11	32229	90460-357-000	WASHER, LOCK, 18MM.....	1	
12	32029	22120-357-020	CENTER, CLUTCH.....	1	
13	34891	22100-358-000	OUTER COMP., CLUTCH.....	1	
14	32220	90454-357-010	WASHER, THRUST, 22MM.....	1	
15	32037	22850-357-030	ROD COMP., CLUTCH LIFTER.....	1	
16	32225	90459-357-000	WASHER C, THRUST, 25MM.....	1	
17	32195	90035-357-010	BOLT, SPECIAL, 5MM.....	1	
18	36299	22810-357-030	LEVER COMP., CLUTCH.....	1	
19	32036	22815-357-020	SPRING, CLUTCH LEVER.....	1	

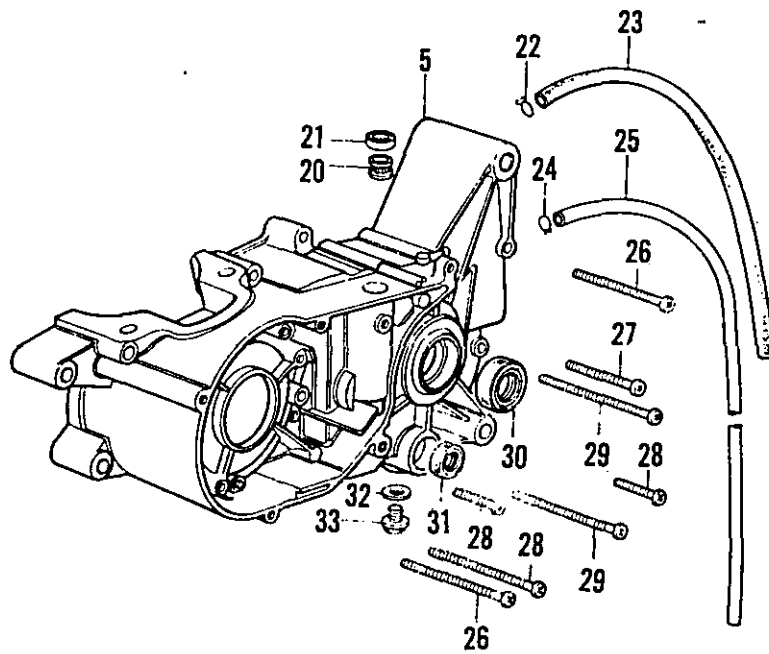
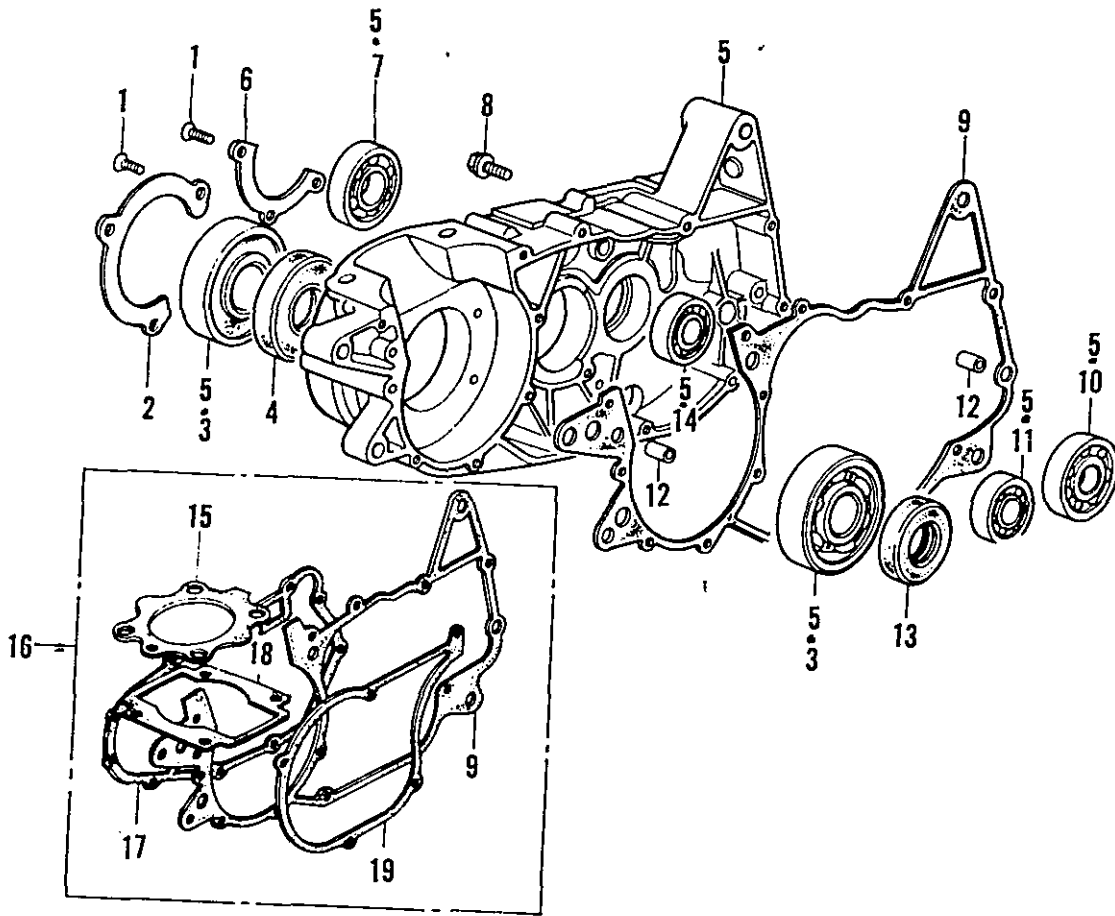
# LEFT CRANKCASE COVER . GENERATOR



## LEFT CRANKCASE COVER . GENERATOR

Ref. No.	H/C	Part Number	Description	MR 250	Remarks
1	42780	31100-395-014	A. C. GENERATOR ASSY., *DENSO*.....	1	
2	34919	31151-358-000	CLAMPER, A.C. GENERATOR.....	1	
3	42781	31121-395-014	FLYWHEEL COMP., *DENSO*.....	1	
4	05749	93500-06020	SCREW, PAN, 6X20.....	4	
5	34914	30200-358-004	POINT ASSY., CONTACT.....	1	
6	42782	31141-395-004	STATOR COMP. *DENSO*.....	1	
7	31983	11395-357-020	GASKET, LEFT CRANKCASE COVER.....	1	
8	41072	11341-381-000	COVER, LEFT CRANKCASE.....	1	
9	28184	45465-329-010	CLIP, FRONT BRAKE CABLE.....	1	
10	05754	93500-06028	SCREW, PAN, 6X28.....	1	
11	05757	93500-06035	SCREW, PAN, 6X35.....	4	
12	43447	90201-395-000	NUT, SPECIAL, 12MM.....	1	
13	43448	90427-395-000	WASHER, ROTOR SET.....	1	

# CRANKCASE

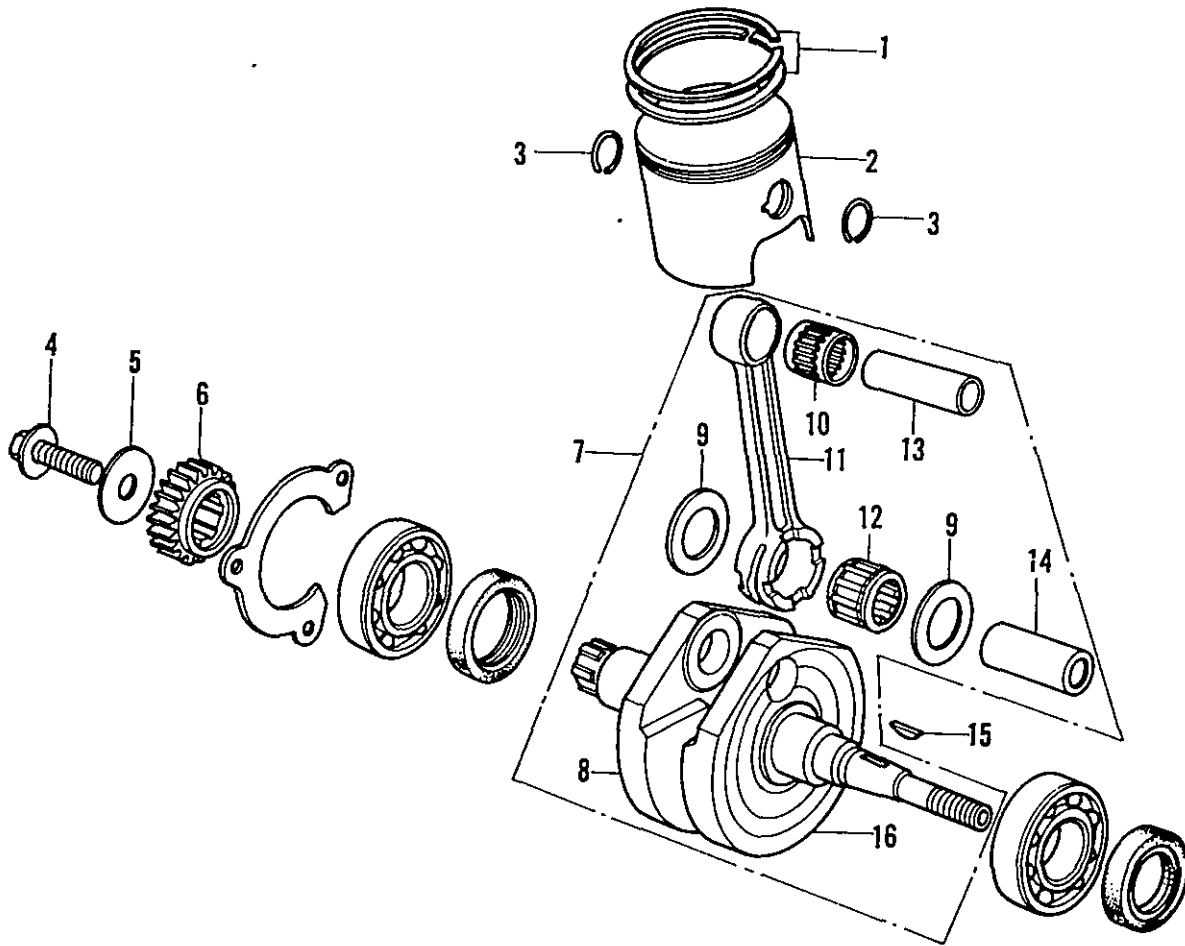




# CRANKCASE

Ref. No.	H/C	Part Number	Description	MR 250	Remarks
1	05578	93600-06014	SCREW, FLAT, 6X14.....	6	
2	31976	11105-357-010	PLATE, BEARING SET.....	1	
3	32245	96102-63063-00	BEARING, BALL, RADIAL 6306.....	2	
4	32241	91203-357-003	OIL SEAL, 38X64X13.5 *ARAI*.....	1	
5	42705	11000-381-010	CRANKCASE SET.....	1	
6	32042	23216-357-000	PLATE, BEARING STOPPER.....	1	
7	36314	91006-357-010	BEARING, RADIAL BALL, 6205Z.....	1	
8	32990	28254-357-000	PIN, KICK STOPPER.....	1	
9	41069	11191-381-000	GASKET, CRANKCASE.....	1	
10	36313	91005-357-010	BEARING, RADIAL BALL, 6304.....	1	
11	36315	91007-357-010	BEARING, RADIAL BALL, 6203Z.....	1	
12	06933	94301-10140	PIN A, KNOCK, 10X14.....	2	
13	32240	91202-357-003	OIL SEAL, 25X55X10 *ARAI*.....	1	
14	36312	91004-357-010	BEARING, RADIAL BALL, 17X42X12.....	1	
15	42742	12251-395-000	GASKET, CYLINDER HEAD.....	1	
16	42738	06111-395-000	GASKET SET.....	1	
17	31982	11394-357-040	GASKET, RIGHT CRANKCASE COVER.....	1	
18	41074	12191-381-000	GASKET, CYLINDER.....	1	
19	31983	11395-357-020	GASKET, LEFT CRANKCASE COVER.....	1	
20	28031	91031-329-000	BEARING, NEEDLE, 16MM.....	1	
21	38755	91206-329-154	OIL SEAL, 16X22X3.5.....	1	
22	25098	95002-02100	CLIP, FUEL TUBE, B10.....	1	
23	42830	95001-55600-40	TUBE, FUEL, 5.5X600.....	1	
24	16535	95002-35000	CLIP, FUEL, 3.5MM.....	1	
25	41628	95003-08075-10	V TUBE, 4.5X6.5X750.....	1	
26	05768	93500-06060	SCREW, PAN, 6X60.....	7	
27	05763	93500-06045	SCREW, PAN, 6X45.....	1	
28	05757	93500-06035	SCREW, PAN, 6X35.....	4	
29	05769	93500-06065	SCREW, PAN, 6X65.....	2	
30	32242	91207-357-000	OIL SEAL, 20X34X7.....	1	
31	15327	91206-286-013	OIL SEAL, 14X28X7.....	1	
32	17186	94109-12000	WASHER, DRAIN PLUG, 12MM.....	1	
33	05397	92800-12000	BOLT, DRAIN PLUG, 12MM.....	1	
34	43806	11100-381-000	CRANKCASE COMP, RIGHT.....	1	
35	43807	11200-381-010	CRANKCASE COMP, LEFT.....	1	

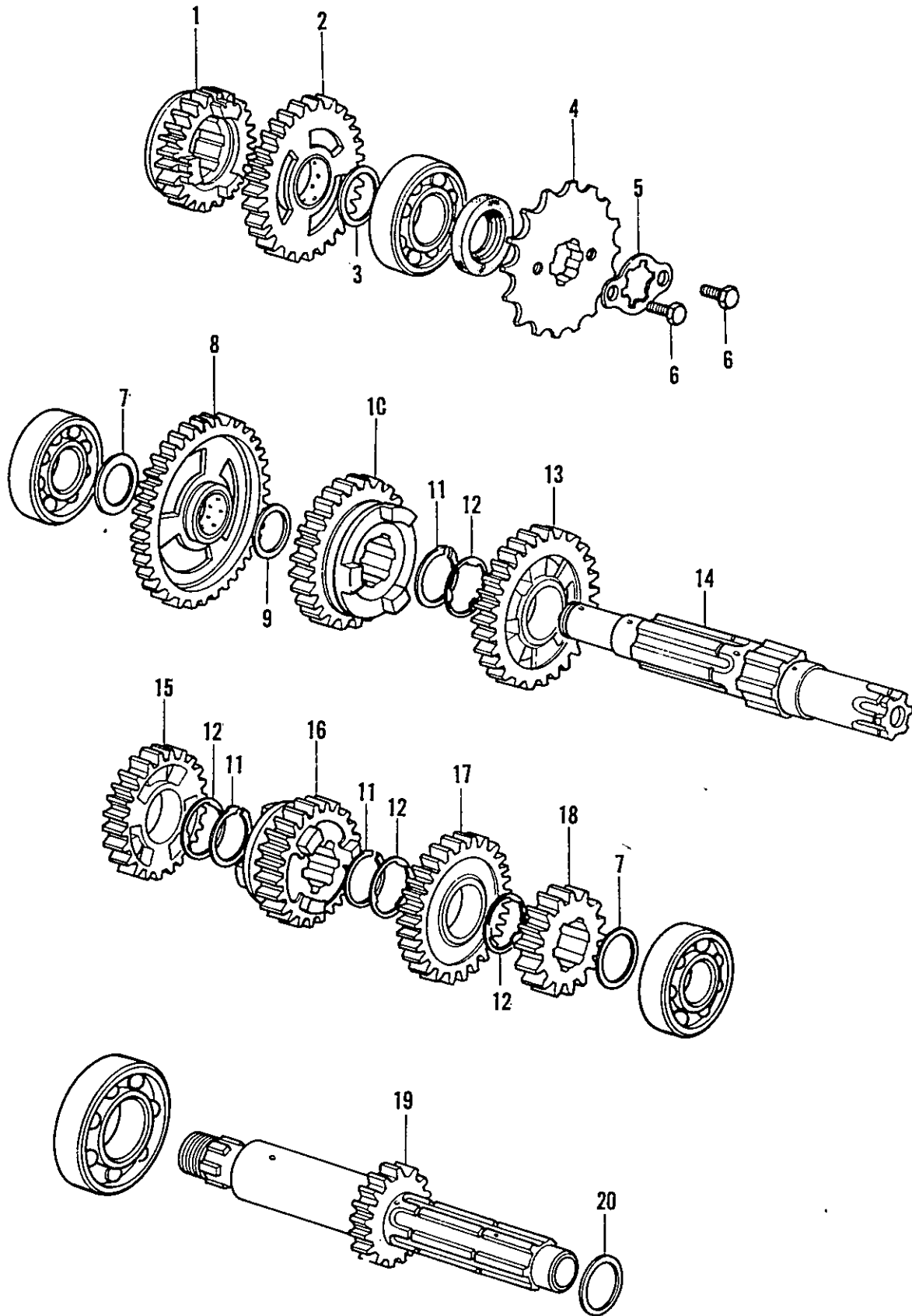
# CRANKSHAFT . PISTON



# CRANKSHAFT . PISTON

Ref. No.	H/C	Part Number	Description	MR 250	Remarks
1	41077	13011-381-003	RING SET, PISTON *STD.*.....	1	
	41078	13021-381-003	RING SET, PISTON *0.25*.....	1	
2	42743	13101-395-000	PISTON COMP. *STD.*.....	1	
	42744	13102-395-000	PISTON COMP. *0.25*.....	1	
3	31730	94601-18000	CLIP, PISTON PIN, 18MM.....	2	
4	29570	90013-333-010	BOLT, U.B.S., 12X30.....	1	
5	29575	90201-333-020	WASHER, PRIMARY SHAFT LOCK.....	1	
6	42745	13615-395-000	GEAR, PRIMARY DRIVE.....	1	
7	43444	13300-395-000	CRANKSHAFT COMP.....	1	
8	43445	13311-395-300	CRANKSHAFT, RIGHT.....	1	
9	41680	13202-357-300	PLATE, CONNECTING ROD SIDE.....	2	
10	32232	91014-357-003	BEARING, CONNECTING ROD SMALL END 1 *TOYO*.	1	
	32234	91015-357-003	BEARING, CONNECTING ROD SMALL END 2 *TOYO*.	1	
	32236	91016-357-003	BEARING, CONNECTING ROD SMALL END 3 *TOYO*.	1	
	33192	91016-357-006	BEARING, CONNECTING ROD SMALL END 3 *TOMSON* (SUPERSEDED BY 91016-357-003)	1	
11	41679	13201-381-300	ROD, CONNECTING.....	1	
12	41693	91011-357-003	BEARING, CONNECTING ROD LARGE END 1 *TOYO*.	1	
	41694	91012-357-003	BEARING, CONNECTING ROD LARGE END 2 *TOYO*.	1	
	41695	91013-357-003	BEARING, CONNECTING ROD LARGE END 3 *TOYO*.	1	
13	31992	13111-357-000	PIN A, PISTON.....	1	
	31993	13112-357-000	PIN A, PISTON.....	1	
14	41683	13381-357-330	PIN, CRANK.....	1	
15	34843	13331-357-000	KEY, SPECIAL WOODRUFF, 25X18.....	1	
16	43446	13321-395-300	CRANKSHAFT, LEFT.....	1	

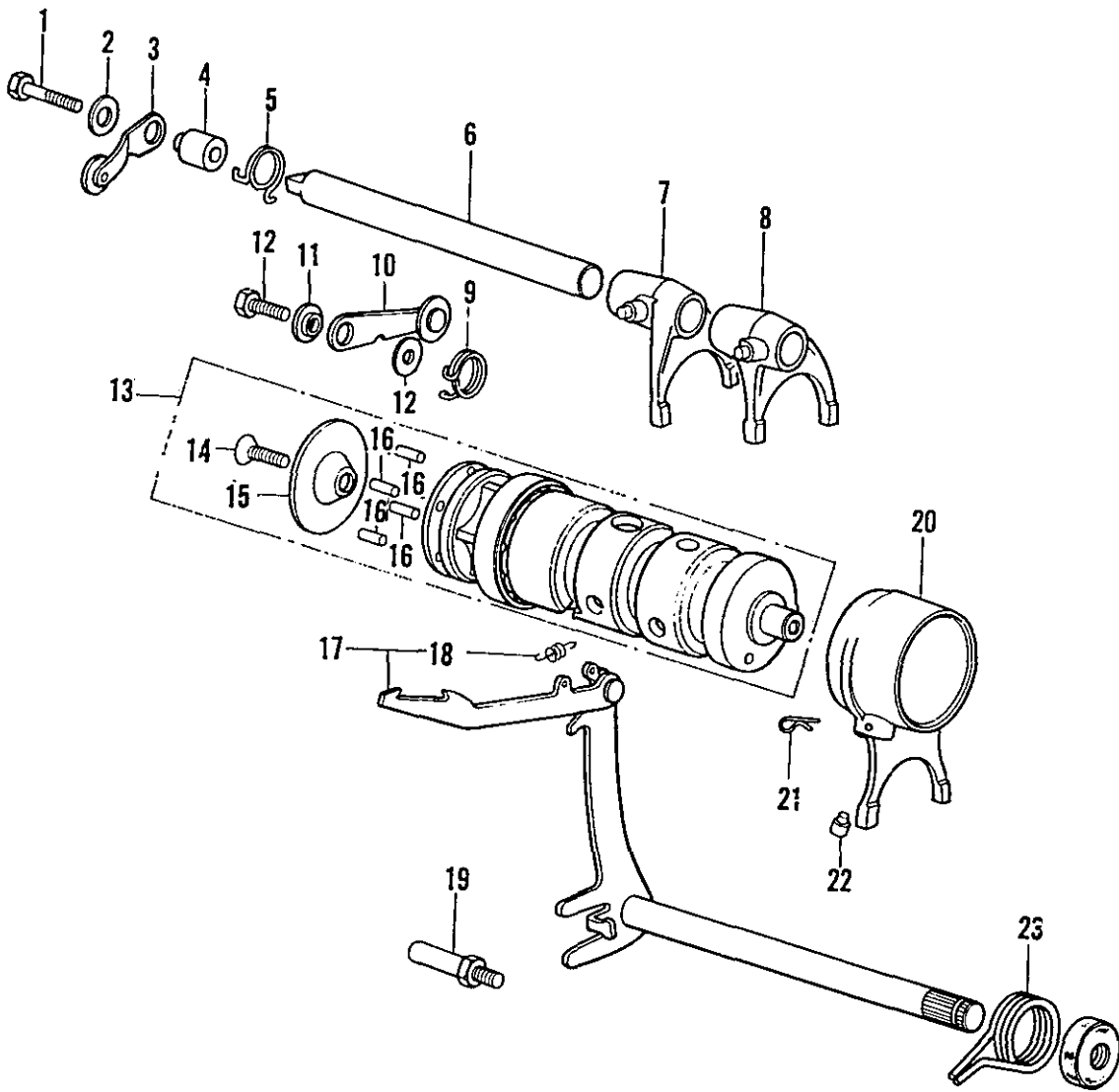
# TRANSMISSION



# TRANSMISSION

Ref. No.	H/C	Part Number	Description	MR 250	Remarks
1	42773	23491-395-000	GEAR, COUNTERSHAFT FIFTH *23T*.....	1	
2	42768	23430-395-000	GEAR COMP., COUNTERSHAFT SECOND *34T*.....	1	
3	33507	90459-700-000	WASHER, THRUST, 20MM.....	1	
4	32995	23803-357-810	SPROCKET, DRIVE *15T*.....	1	
	42774	23801-395-810	SPROCKET, DRIVE *13T*.....	1	
	42775	23802-395-000	SPROCKET, DRIVE *14T*.....	1	
5	39548	95014-92100	PLATE B, FIXING.....	1	
6	05417	92000-06010	BOLT, HEX., 6X10.....	2	
7	32218	90446-357-000	WASHER, THRUST, 17.2MM.....	2	
8	42766	23410-395-000	GEAR COMP., COUNTERSHAFT LOW *38T*.....	1	
9	32223	90457-357-000	WASHER, THRUST, 18.6MM.....	1	
10	42772	23471-395-000	GEAR, COUNTERSHAFT FOURTH *26T*.....	1	
11	27971	90601-329-000	CIRCLIP, 22MM.....	3	
12	32226	90463-357-000	WASHER, SPLINE, 22MM.....	4	
13	42770	23451-395-000	GEAR, COUNTERSHAFT THIRD *30T*.....	1	
14	36300	23221-357-040	SHAFT, TRANSMISSION COUNTER.....	1	
15	42771	23461-395-000	GEAR, MAINSHAFT FOURTH *28T*.....	1	
16	42769	23441-395-000	GEAR, MAINSHAFT THIRD *24T*.....	1	
17	35367	23481-358-000	GEAR, MAINSHAFT FIFTH *32T*.....	1	
18	42767	23421-395-000	GEAR COMP., MAINSHAFT SECOND *19T*.....	1	
19	42765	23210-395-000	SHAFT COMP., TRANSMISSION MAIN.....	1	
20	32219	90452-357-000	WASHER, THRUST, 22MM.....	1	

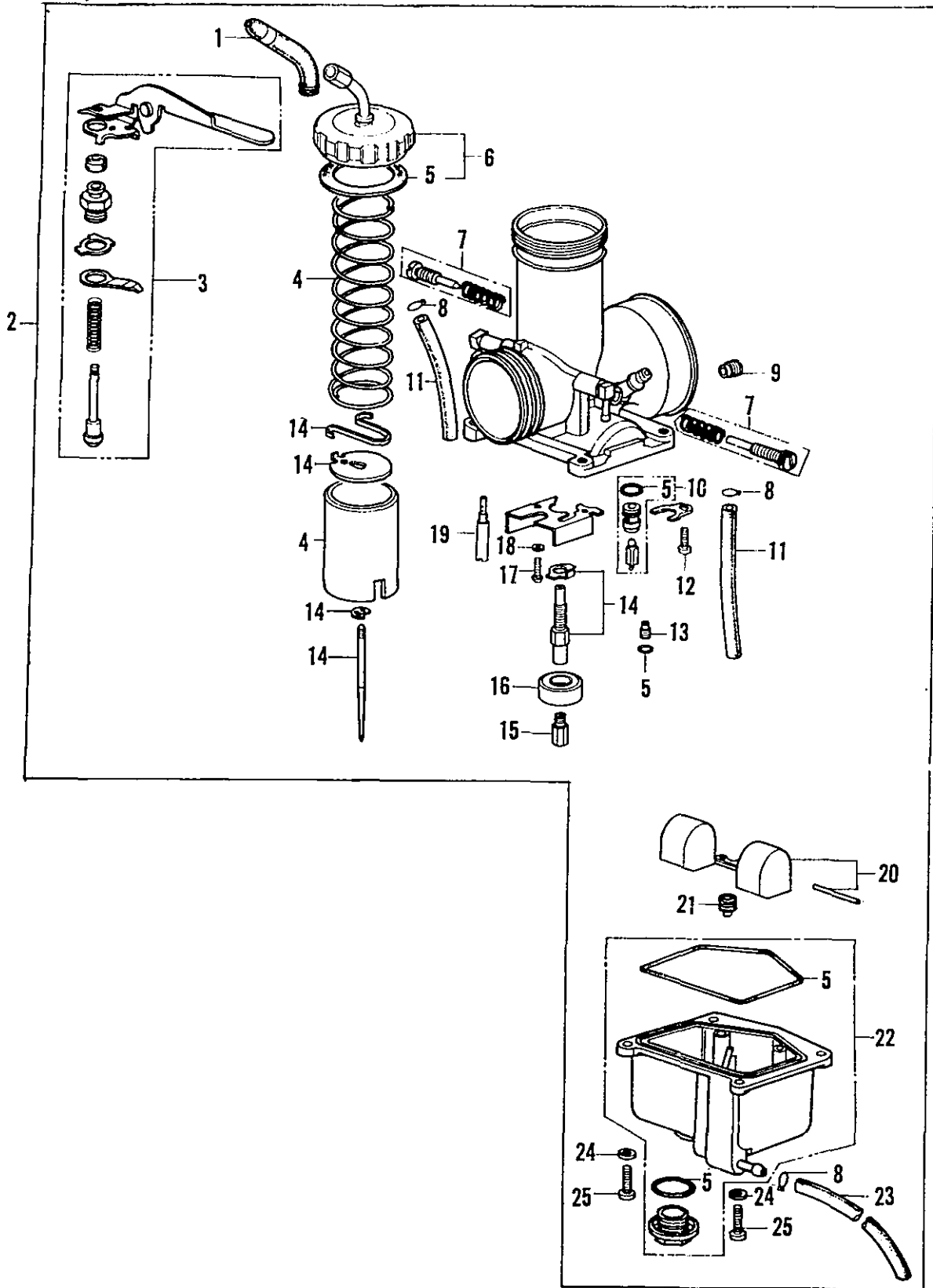
# SHIFT DRUM



# SHIFT DRUM

Ref. No.	H/C	Part Number	Description	MR 250	Remarks
1	05434	92000-06028	BOLT, HEX., 6X28.....	1	
2	20123	90417-302-000	WASHER, SHIFT DRUM STOPPER.....	2	
3	32063	24420-357-010	ARM COMP., NEUTRAL STOPPER.....	1	
4	32064	24425-357-000	COLLAR, NEUTRAL STOPPER.....	1	
5	32066	24435-357-020	SPRING, NEUTRAL STOPPER ARM.....	1	
6	32060	24265-357-010	SHAFT, GEARSHIFT FORK GUIDE.....	1	
7	42776	24211-395-000	FORK, RIGHT GEARSHIFT.....	1	
8	42777	24221-395-000	FORK, LEFT GEARSHIFT.....	1	
9	41110	24436-381-000	SPRING, DRUM STOPPER ARM.....	1	
10	32065	24430-357-010	ARM COMP., DRUM STOPPER.....	1	
11	02614	24438-216-000	COLLAR, SHIFT DRUM STOPPER.....	1	
12	05425	92000-06018	BOLT, HEX., 6X18MM.....	1	
13	34905	24301-357-030	DRUM COMP., GEARSHIFT.....	1	
14	05578	93600-06014	SCREW, FLAT, 6X14.....	1	
15	32062	24307-357-300	PLATE, DRUM PIN STOPPER.....	1	
16	32246	96221-40100	ROLLER, 4X10.....	4	
17	32068	24600-357-000	SPINDLE ASSY., GEARSHIFT.....	1	
18	14316	24641-292-000	SPRING, GEARSHIFT ARM.....	1	
19	32070	24652-357-000	PIN, SHIFT RETURN SPRING.....	1	
20	42778	24231-395-000	FORK, CENTER GEARSHIFT.....	1	
21	32043	24263-357-000	CLIP, GEARSHIFT FORK GUIDE PIN.....	1	
22	34904	24261-357-010	PIN & COLLAR SET.....	1	
23	32069	24651-357-010	SPRING, GEARSHIFT RETURN.....	1	

# CARBURETOR

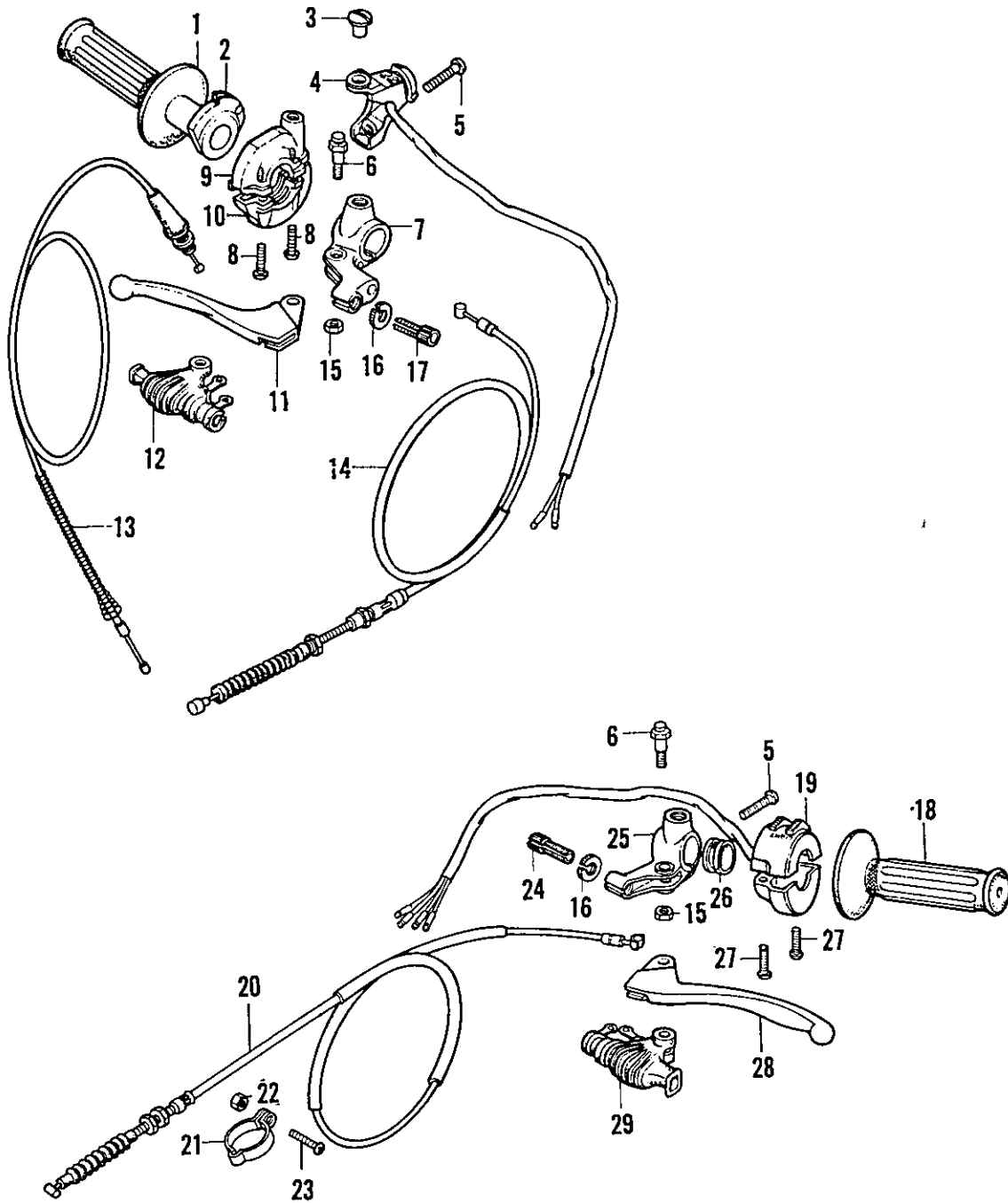




# CARBURETOR

Ref. No.	H/C	Part Number	Description	MR 250	Remarks
1	32839	16118-357-004	CAP, RUBBER.....	1	
2	42749	16100-395-024	CARBURETOR ASSY.....	1	
3	39905	16046-361-670	VALVE SET, STARTER.....	1	
4	38145	16022-357-325	VALVE SET, THROTTLE *#2.0*.....	1	
	38146	16022-357-425	VALVE SET, THROTTLE *#3.0*.....	1	
	38147	16022-357-812	VALVE SET, THROTTLE *#2.5*.....	1	
5	43373	16010-395-004	PACKING SET.....	1	
6	38143	16014-357-014	TOP SET.....	1	
7	42748	16016-395-004	SCREW SET.....	1	
8	25063	95002-02070	CLIP, TUBE, B7.....	3	
9	32231	99105-357-1600	JET, AIR *#160*.....	1	
	32243	99105-357-1800	JET, AIR *#180*.....	1	
	32244	99105-357-2000	JET, AIR *#200*.....	1	
	32227	99105-357-2200	JET, AIR *#220*.....	1	
	32124	99105-357-2400	JET, AIR *#240*.....	1	
10	34857	16011-356-004	VALVE SET, FLOAT.....	1	
11	39420	95001-35060-40	TUBE, FUEL, 3.5X60.....	2	
12	18835	93500-04010-0A	SCREW, PAN, 4X10.....	1	
13	34173	99164-601-1300	JET, POWER *#130 STD*.....	1	
	43376	99164-601-1380	JET, POWER *#135*.....	1	
	43378	99164-601-1450	JET, POWER *#145*.....	1	
14	42746	16012-395-004	NEEDLE SET, JET.....	1	
15	37390	99101-357-1020	JET, MAIN *#102 OPT*.....	1	
	35693	99101-357-1050	JET, MAIN *#105 OPT*.....	1	
	43449	99101-357-1080	JET, MAIN *#108 OPT*.....	1	
	35694	99101-357-1100	JET, MAIN *#110 STD*.....	1	
	43450	99101-357-1120	JET, MAIN *#112 OPT*.....	1	
	35695	99101-357-1150	JET, MAIN *#115 OPT*.....	1	
16	42750	16168-395-004	HOLDER, JET.....	1	
17	16665	93500-03006-0A	SCREW, PAN, 3X6.....	2	
18	05894	94111-03000	WASHER, LOCK, 3MM.....	2	
19	43451	99103-358-0480	JET, SLOW *#48*.....	1	
	41699	99103-358-0500	JET, SLOW *#50*.....	1	
	41701	99103-358-0600	JET, SLOW *#60*.....	1	
20	33899	16013-360-004	FLOAT SET.....	1	
21	34173	99164-601-1300	JET, STARTER *#130*.....	1	
22	42747	16015-395-004	BODY SET, FLOAT CHAMBER.....	1	
23	31353	95001-35240-40	TUBE, FUEL, 3.5X240.....	1	
24	05895	94111-04000	WASHER, LOCK, 4MM.....	4	
25	15647	93500-04014-0A	SCREW, PAN, 6X14.....	4	

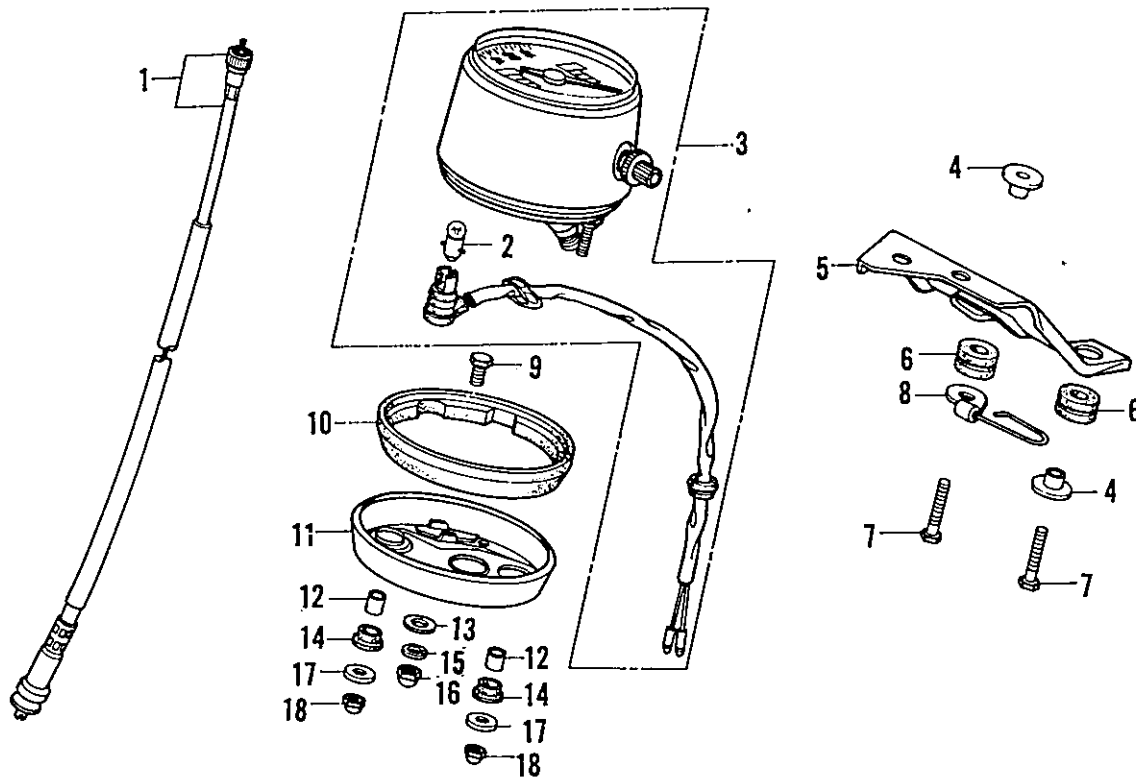
# HANDLE GRIP . CABLE



# HANDLE GRIP . CABLE

Ref. No.	H/C	Part Number	Description	MR 250	Remarks
1	30878	53165-116-670	GRIP, RIGHT HANDLE.....	1	
2	34081	53141-357-010	PIPE, THROTTLE GRIP.....	1	
3	31611	53174-116-670	PLUG, HANDLE LEVER BRACKET.....	1	
4	33995	35320-360-003	SWITCH ASSY., KILL *TOYO*..... (SUPERSEDED BY 35130-360-701)	1	
	38527	35130-360-701	SWITCH ASSY., KILL.....	1	
5	05754	93500-06028	SCREW, PAN, 6X28.....	2	
6	29376	90114-329-000	BOLT, HANDLE LEVER PIVOT.....	2	
7	23251	53171-312-003	BRACKET, RIGHT HANDLE LEVER.....	1	
8	19773	93500-05020-0A	SCREW, PAN, 5X20.....	2	
9	41150	53167-381-000	HOUSING A, GRIP.....	1	
10	41151	53168-381-000	HOUSING B, GRIP.....	1	
11	38553	53175-360-700	LEVER, RIGHT STEERING HANDLE.....	1	
12	29357	53176-329-000	COVER, RIGHT STEERING HANDLE LEVER.....	1	
13	41094	17910-381-000	CABLE COMP., THROTTLE.....	1	
14	42797	45450-395-670	CABLE COMP., FRONT BRAKE.....	1	
15	05801	94001-06000	NUT, HEX., 6MM..... (SUPERSEDED BY 94001-06000-0S)	3	
	15606	94001-06000-0S	NUT, HEX., 6MM.....	3	
16	24127	90321-315-670	NUT, FIXING.....	2	
17	23252	53192-312-000	BOLT, CLUTCH CABLE ADJUST.....	1	
18	30879	53166-116-670	GRIP, LEFT HANDLE.....	1	
19	40009	35300-373-671	SWITCH ASSY., LIGHTING.....	1	
20	34892	22870-358-000	CABLE COMP., CLUTCH.....	1	
21	32040	22878-357-000	CLAMPER, CLUTCH CABLE.....	1	
22	15688	94001-05000-0S	NUT, HEX., 5MM.....	1	
23	17179	93500-05018-0A	SCREW, PAN, 5X18.....	1	
24	04725	53192-268-000	BOLT, CLUTCH WIRE ADJUSTING.....	1	
25	11363	53172-310-010	BRACKET, LEFT HANDLE LEVER.....	1	
26	42812	53140-395-670	RUBBER, STEERING HANDLE.....	1	
27	14555	93500-05016-0A	SCREW, PAN, 5X16.....	2	
28	38554	53178-360-700	LEVER, LEFT STEERING HANDLE.....	1	
29	29358	53179-329-000	COVER, LEFT STEERING HANDLE LEVER.....	1	

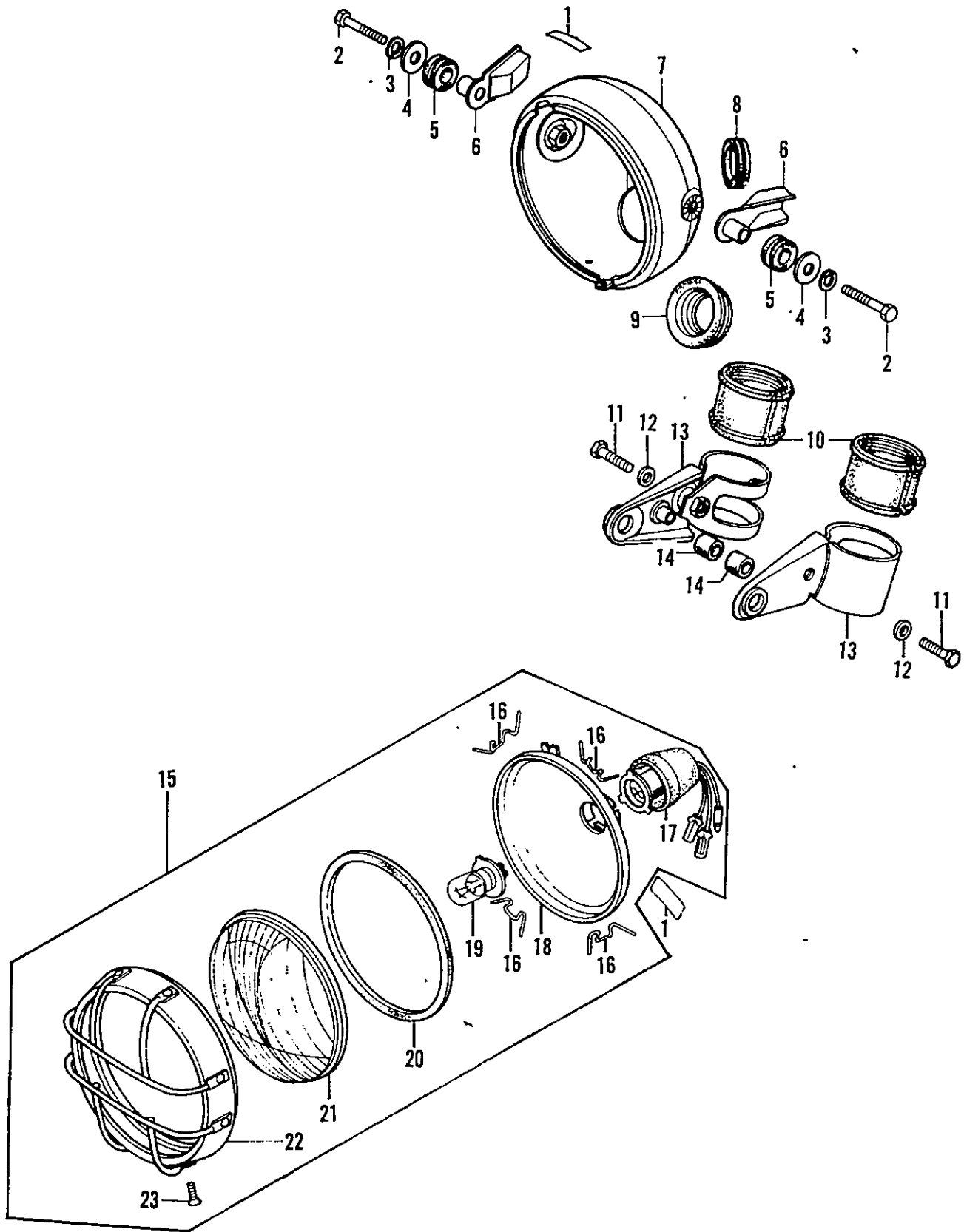
# SPEEDOMETER



# SPEEDOMETER

Ref. No.	H/C	Part Number	Description	MR 250	Remarks
1	36857	44830-369-700	CABLE ASSY., SPEEDOMETER.....	1	
2	14892	34908-230-000	BULB, SPEEDOMETER *6V 1.7W*.....	1	
3	42786	37200-395-670	SPEEDOMETER ASSY.....	1	
4	32175	61104-357-000	COLLAR, FRONT FENDER.....	2	
5	42787	37212-395-670	STAY, SPEEDOMETER.....	1	
6	34995	61315-358-000	RUBBER, MOUNT 22MM.....	2	
7	05423	92000-06016	BOLT, HEX., 6X16.....	2	
8	42764	22880-395-670	CLAMP, CLUTCH CABLE.....	1	
9	35015	90159-356-000	BOLT, METER SETTING.....	1	
10	30401	37113-453-008	CUSHION, METER *NIPPON SEIKI*.....	1	
11	30400	37112-453-008	RING, LEFT METER SET *NIPPON SEIKI*.....	1	
12	30404	37243-453-000	COLLAR, METER SET.....	2	
13	05909	94101-08000	WASHER, FLAT, 8MM.....	1	
14	19621	37244-307-670	RUBBER, METER SET.....	2	
15	05898	94111-08000	WASHER, LOCK, 8MM.....	1	
16	18878	94021-08000-OS	NUT, HEX., CAP, 8MM.....	1	
17	02128	90525-030-000	WASHER B, HANDLE HOLDER SETTING.....	2	
18	30468	94021-06220	NUT, CAP, 6MM.....	2	

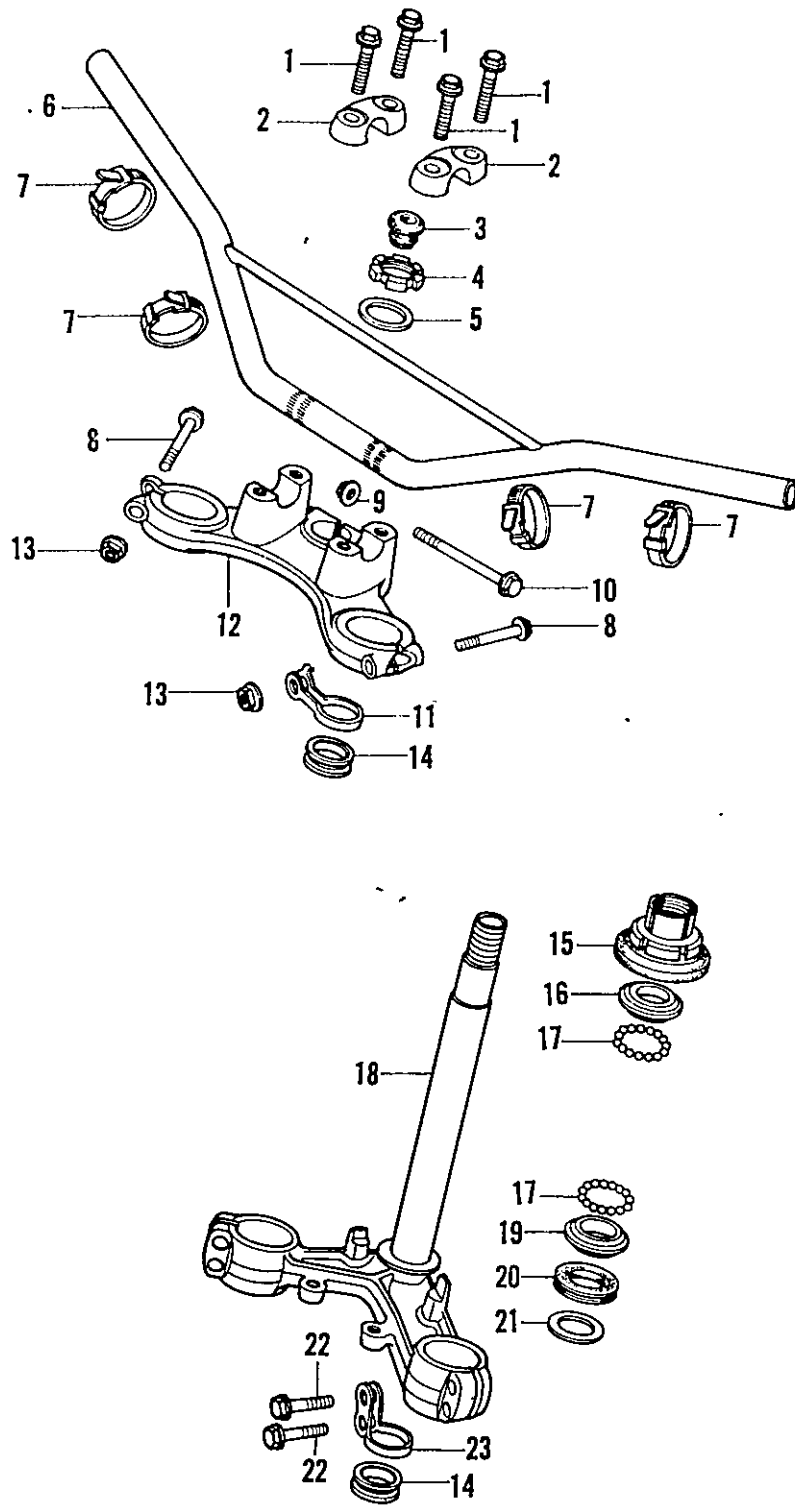
# HEADLIGHT



# HEADLIGHT

Ref. No.	H/C	Part Number	Description	MR 250	Remarks
1	41618	87560-373-670	LABEL, CAUTION.....	1	
2	05434	92000-06028	BOLT, HEX, 6X28.....	3	
3	05897	94111-06000	WASHER, SPRING, 6MM.....	2	
4	39836	77302-124-000	WASHER, SEAT MOUNT.....	2	
5	32998	61103-357-000	RUBBER, FRONT FENDER MOUNT.....	2	
6	43338	61308-373-770	STAY, HEADLIGHT STOPPER.....	2	
• 7	43336	61301-373-770ZA	CASE, HEADLIGHT *CUSTOM SILVER METALLIC*.	1	
8	24827	61303-118-670	GROMMET, HEADLIGHT.....	1	
9	43337	61305-373-770	GROMMET, HEADLIGHT.....	1	
10	42818	61313-395-670	RUBBER, HEADLIGHT STAY.....	2	
11	05427	92000-06020	BOLT, HEX, 6X20.....	2	
12	05907	94101-06000	WASHER, FLAT, 6MM.....	2	
13	42817	61311-395-670ZA	STAY, HEADLIGHT..... *CLOUD SILVER METALLIC*	2	
14	43339	61309-373-770	RUBBER, HEADLIGHT STOPPER.....	2	
15	43331	33100-373-770	HEADLIGHT ASSY.....	1	
16	28795	33108-028-013	SPRING, UNIT HOLDER.....	4	
17	39484	33110-121-003	SOCKET, HEADLIGHT.....	1	
18	28793	33104-028-003	REFLECTOR, HEADLIGHT.....	1	
19	39492	34901-030-003	BULB, HEADLIGHT *6V 25/25N.....	1	
20	28794	33105-028-003	PACKING, HEADLIGHT LENS.....	1	
21	39485	33121-065-003	LENS, HEADLIGHT.....	1	
22	43332	33101-373-770	RIM, HEADLIGHT.....	1	
23	26603	93700-05010-0B	SCREW, OVAL, 5X10.....	1	

# HANDLEBAR . TOP BRIDGE . STEERING STEM

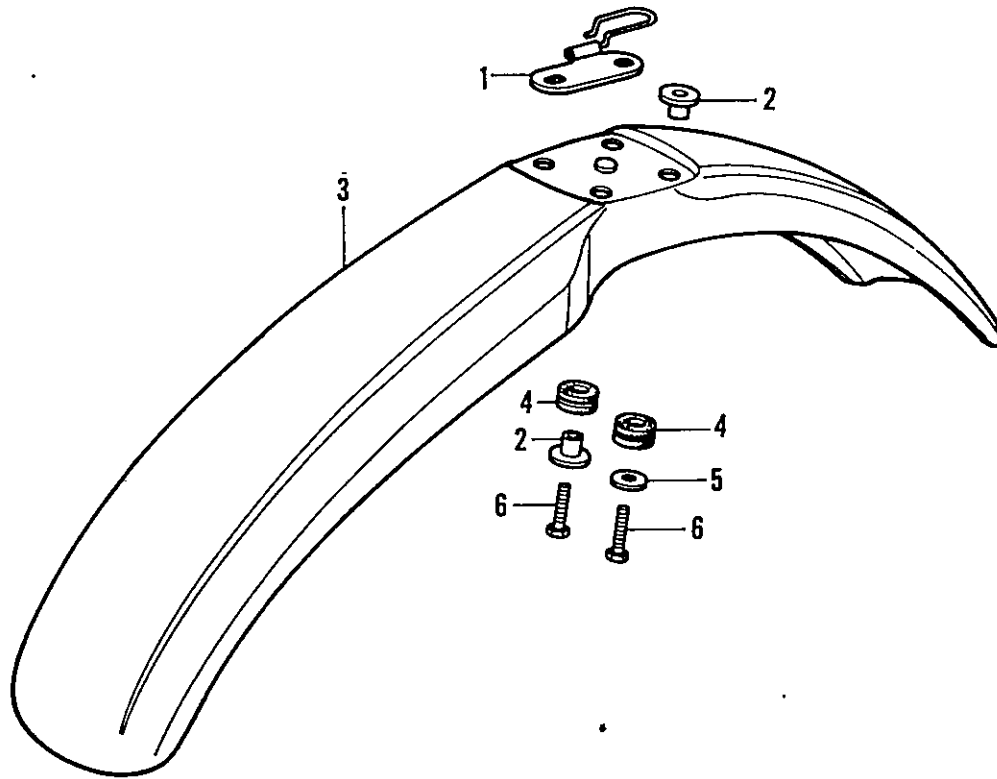




# STEERING STEM . TOP BRIDGE . HANDLE BAR

Ref. No.	H/C	Part Number	Description	MR 250	Remarks
1	33829	90111-362-000	BOLT, FLANGE, 8X36.....	4	
2	26524	95014-22200	HOLDER B2, UPPER.....	2	
3	32213	90303-357-000	CAP, STEERING STEM.....	1	
4	32214	90304-357-000	NUT, STEERING STEM.....	1	
5	41692	90503-381-000	WASHER, STEERING STEM.....	1	
6	34070	53100-360-820	PIPE, STEERING HANDLE.....	1	
7	27054	95014-62100	BAND B1, WIRE.....	4	
8	42263	90155-369-000	BOLT, FLANGE, 7X54.....	2	
9	36585	90303-369-000	NUT, FLANGE, 8MM.....	1	
10	36755	90124-458-000	BOLT, FLANGE, 8X72.....	1	
11	29333	45467-329-000	CLIP A, FRONT BRAKE CABLE.....	1	
12	42814	53230-381-010	BRIDGE, FORK TOP.....	1	
13	42315	90355-369-000	NUT, FLANGE, 8MM.....	2	
14	29332	45466-329-000	INNER, CABLE GUIDE.....	2	
15	32171	53220-357-000	THREAD COMP., STEERING HEAD TOP.....	1	
16	03014	53211-200-305	RACE, STEERING TOP CONE.....	1	
17	07990	96211-08000	BALL, STEEL, #8.....	36	
18	42813	53200-395-670ZA	STEM COMP., STEERING *BLACK*.....	1	
19	03016	53212-200-305	RACE, STEERING BOTTOM CONE.....	1	
20	03019	53214-200-000	DUST SEAL, STEERING HEAD.....	1	
21	03020	53215-200-000	WASHER, STEERING HEAD DUST SEAL.....	1	
22	36863	95700-08035	BOLT, FLANGE, 8X35.....	4	
23	34041	45468-360-000	CLIP B, FRONT BRAKE CABLE.....	1	

# FRONT FENDER



# FRONT FENDER

Ref. No.	H/C	Part Number	Description	MR 250	Remarks
1	35302	44834-361-000	CLAMP, SPEEDOMETER CABLE.....	1	
2	32175	61104-357-000	COLLAR, FRONT FENDER.....	4	
3	43334	61100-381-771ZB	FENDER, FRONT *CERAMIC WHITE*.....	1	
4	34995	61315-358-000	RUBBER, MOUNT 22MM.....	4	
5	51227	91412-538-000	WASHER, FLAT, 20MM.....	2	
6	05429	92000-06022	BOLT, HEX., 6X22.....	4	