

HONDA

PARTS CATALOG

MR50

P8105

AMERICAN HONDA MOTOR CO., INC.
100 WEST ALONDRA BOULEVARD, GARDENA, CALIFORNIA

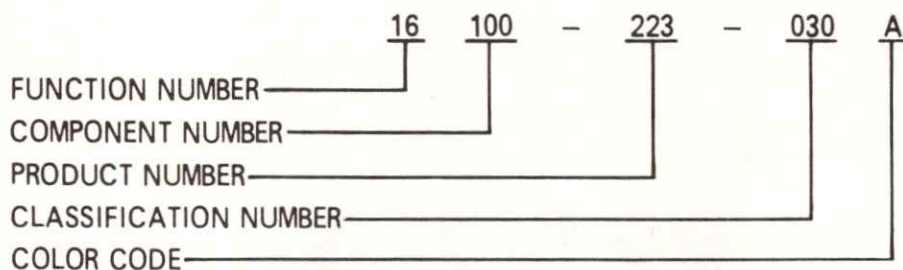
1st EDITION

© JUNE, 1974

INSTRUCTION FOR USE OF PARTS CATALOG

PART NUMBERS

The following diagram defines the figures used in the new HONDA PART NUMBER SYSTEM.



When placing a parts order with AMERICAN HONDA, be sure to use the HONDA CODE (H/C) in conjunction with the PART NUMBER.

The HONDA CODE for each item shown will be listed directly to the left of the PART NUMBER. Those part numbers without HONDA CODE are not available.

ISO THREADED PARTS

Nominal Dia. (Size of Bolt or Nut)	Width Across Flats (Wrench Size)	
	Present J.I.S.	Modified J.I.S. (I.S.O.)
3 mm	6 mm	5.5 mm
4 mm	8 mm	7 mm
5 mm	9 mm	8 mm
6 mm	10 mm	10 mm
8 mm	14 mm	12 mm
10 mm	17 mm	14 mm
12 mm	19 mm	17 mm
14 mm	21 mm	19 mm
16 mm	23 mm	22 mm
18 mm	26 mm	24 mm
20 mm	29 mm	27 mm

New wrenches in the 5.5 mm, 7 mm, 12 mm, 22 mm, 24 mm and 27 mm sizes will be required for the modified bolts and nuts., All other sizes are currently in use.

This change in hex size affects only the wrench sizes; interchangeability of bolts and nuts is not affected.

Change in Thread Pitch – The standard thread pitches for all bolts, nuts, and screws in the 3 mm, 4 mm, 5 mm and 12 mm sizes are changed as indicated below:

Nominal Dia.	Thread Pitch	
	Present J.I.S.	Modified J.I.S. (I.S.O.)
3 mm	0.6	0.5
4 mm	0.75	0.7
5 mm	0.9	0.8
12 mm	1.5	1.25

These changes will affect the interchangeability of threaded parts in these sizes. Care must be taken to use the correct pitch to avoid stripping.

These changes will also require new taps and dies.

To help avoid confusion in the 3 mm, 4 mm, 5 mm and 12 mm size, wherein the thread pitch has been changed, the modified J.I.S. (I.S.O.) threaded parts used by Honda will be marked such that they can be readily identified. The marks used are as follows:

PART TYPE	DESCRIPTION OF MARKING
STD. HEX BOLT	A number, indicating the strength of the bolt, will be embossed on the top of the bolt head. This mark will appear on modified J.I.S. (I.S.O.) bolts of all sizes , but as explained above all sizes except 4 mm, 5 mm, and 12 mm (there are no 3 mm hex bolts) will interchange with the present J.I.S. parts.
SLOTTED HEX BOLT	There will be a hemispherical embossment (bump) on the top of the bolt head in the 4 mm and 5 mm sizes (3 mm and 12 mm slotted hex bolts are not in use).
CAP BOLT	There will be a hemispherical dimple on the side of the bolt head in the 4 mm, 5 mm and 12 mm sizes (3 mm not in use).
STUD BOLT	There will be a hemispherical dimple or embossment on the nut end in the 5 mm and 12 mm sizes (3 mm and 4 mm studs are not in use).
ALL CROSS RECESS SCREWS	There will be a hemispherical embossment on the top of the screw head in the 3 mm, 4 mm and 5 mm sizes (12 mm not used).

ALL NUTS

There will be a hemispherical dimple on **either the top or side** of the nut in all sizes with changed pitch. This will also apply to nuts that are permanently welded to other parts.

All mechanics and parts department personnel should read and understand this change-over, to avoid confusion and damage to threaded parts.

ENGINE AND FRAME SERIAL NUMBERS

The engine and frame numbers should be checked prior to ordering parts for a specific motorcycle. HONDA engine numbers are located on the left portion of the engine and frame numbers on the left side of the frame body.

Parts list serial numbers are coded (E) for ENGINE and (F) for FRAME to assist you in identification.

Modified parts will show ENGINE or FRAME serial number in the remark column. These numbers will designate the start (FROM) and finish (TO) production run for that item listed to its left.

Newly introduced items will be listed from initial part installation serial numbers.

ILLUSTRATIONS

To aid identification of PARTS, (exploded) illustrations are incorporated in this catalogue. Available items in the illustrations are identified by NUMBERS which correspond with the PARTS descriptions on the PARTS list.

A separate PARTS list is provided for each illustration. Reference numbers on the PARTS list duplicate identification numbers on the illustration for assistance in choosing the correct PART. Addition to the numerical reference numbers, we have used numeral-alphabet reference numbers for the convenience of adding new PARTS to the PARTS list.

Find the illustration of PART you require and check the accompanying PARTS list for its HONDA CODE, NEW PART NUMBER, DESCRIPTION, etc.

PARTS RETURN

PARTS may not be returned to AMERICAN HONDA without prior written authorization. Written authorization may be obtained by writing to AMERICAN HONDA MOTOR CO., INC., 100 West Alondra Blvd., Gardena, California 90247. We will correct any error which we were of primary fault. This would cover damaged

PARTS, (not caused in mishandling by the delivery source), wrong parts, incorrect quantities, etc. Advise us of discrepancies within five (5) days of receipt. AMERICAN HONDA is not responsible for PARTS – returned to us without written authorization.

ADDITIONAL INFORMATION

1. Dimensions of the PARTS in this catalogue are indicated in millimeter units.
2. L or R in the description of a PART stands for the LEFT hand side or the RIGHT hand side, which is decided by the direction of travel of the vehicle.
3. Many standard items, SPARK PLUGS, BOLTS, NUTS, WASHERS, PINS, which are in constant use are sold in multiples of ten and consideration when placing your order is advised.

4. ABBREVIATIONS

ASSY. – Assembly
COMP. – Complete

REF. – Reference
HEX. – Hexagonal

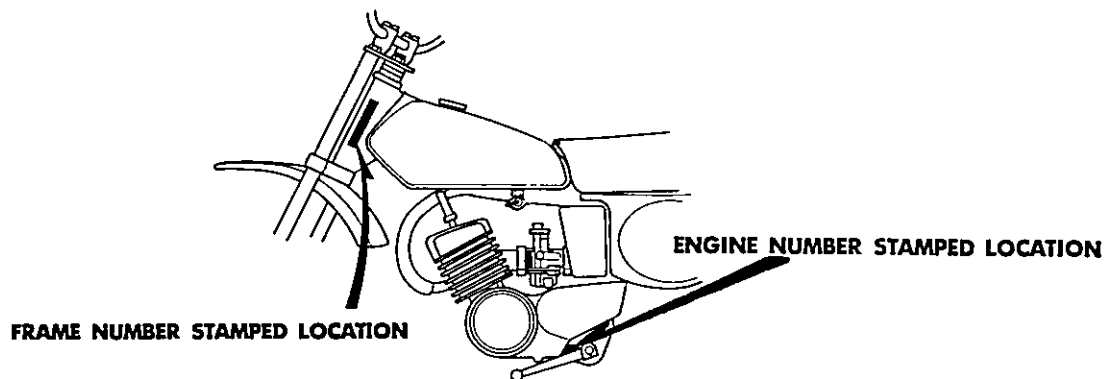
ADJ. – Adjusting
STD. – Standard

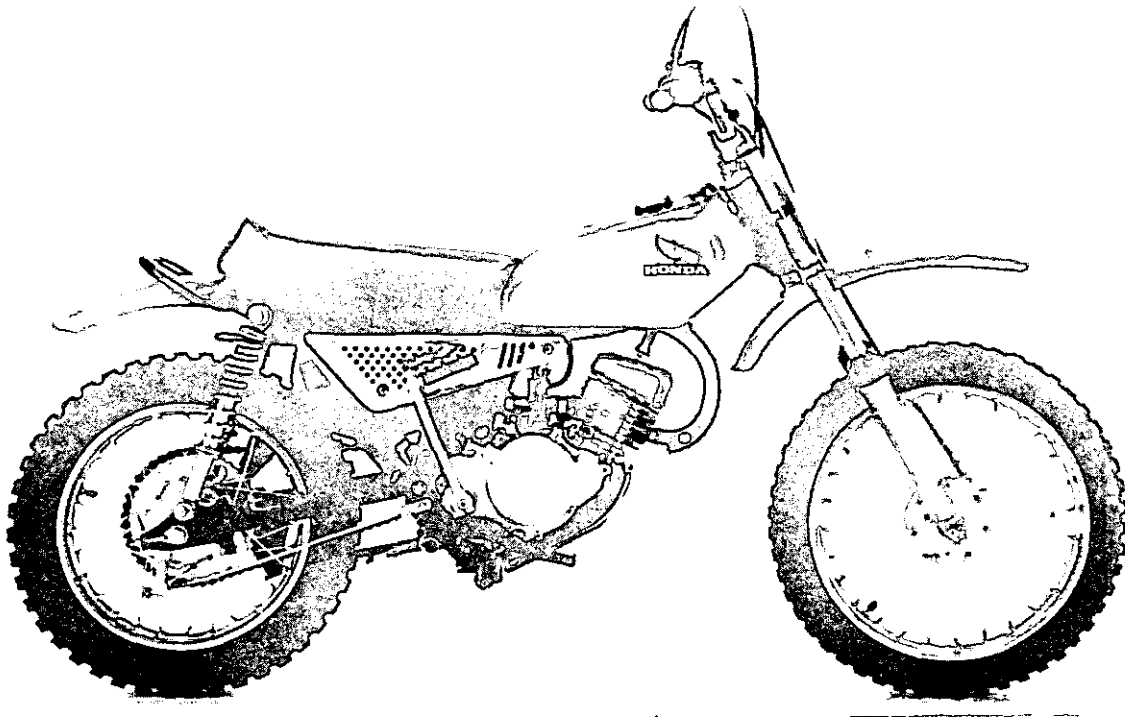
Applicable Serial Number

If there is a production change to a part, the frame or the engine serial number to which this part become effective will be indicated in the "Remarks" column. However, in case the part is used from the initial serial number, its applicable serial number is not shown. The initial serial number for model as follows.

MR50 Engine No. MR50E-1000001– Frame No. MR50-1000001–

The serial number is stamped in the following location.





MR 50

Parts Catalog:

H/C P8105

Owners Manual:

H/C 35957

Shop Manual:

H/C 35972

TABLE OF CONTENTS

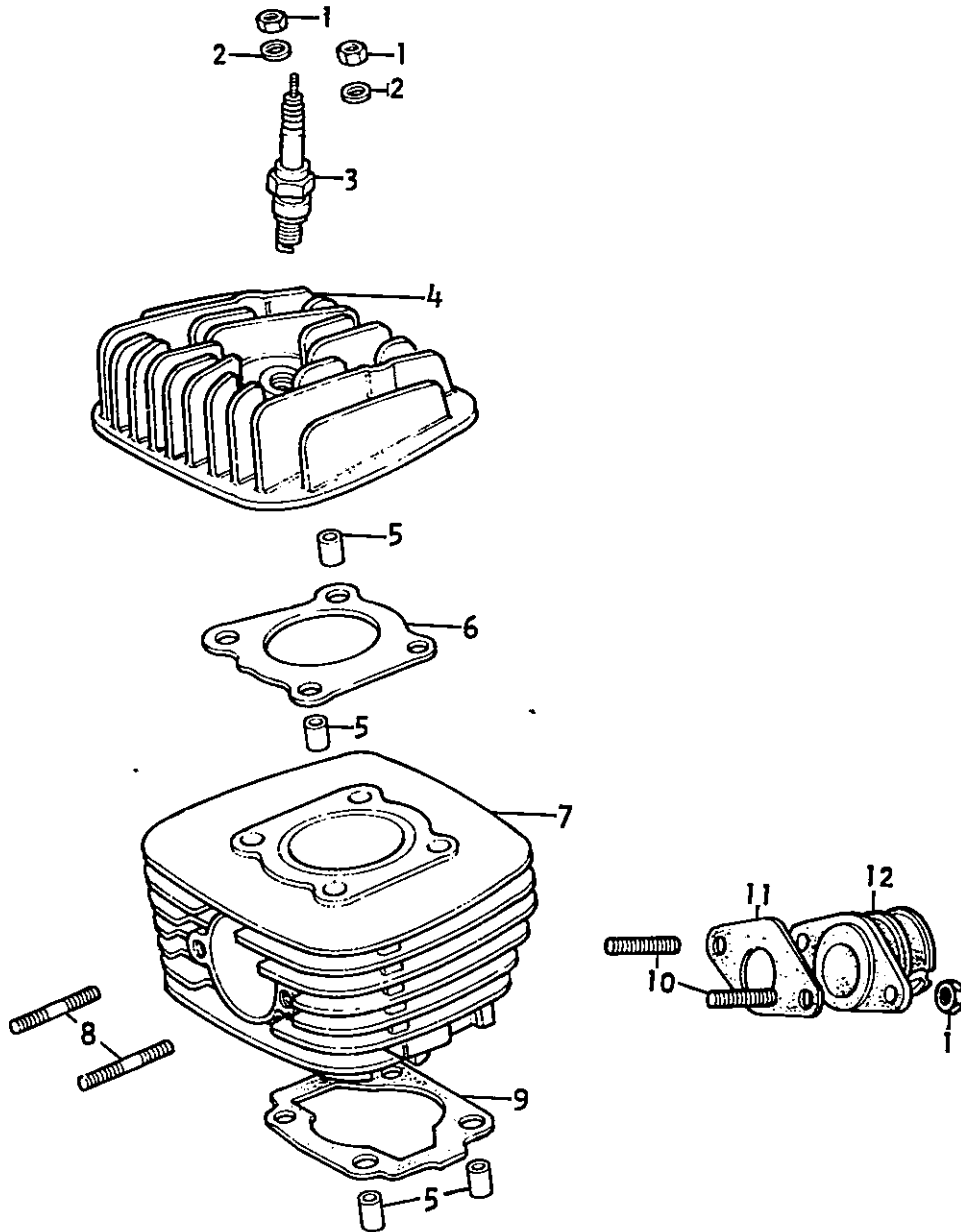
ENGINE

	PAGE
CYLINDER · CYLINDER HEAD.....	3
CRANKSHAFT · PISTON.....	5
GENERATOR · COVER.....	7
RIGHT CRANKCASE COVER · CLUTCH LEVER.....	9
CLUTCH.....	11
TRANSMISSION.....	13
GEAR SHIFT FORK · DRUM · SPINDLE.....	15
CRANKCASE.....	17
CARBURETOR.....	19

FRAME

HANDLE BAR · CABLE.....	21
FRONT CUSHION · FRONT FENDER.....	23
FRONT WHEEL · FRONT AXLE.....	27
FUEL TANK · SEAT · TOOL.....	29
REAR FENDER · SIDE COVER · AIR CLEANER.....	31
MUFFLER.....	33
REAR WHEEL · BRAKE · CHAIN.....	35
REAR CUSHION.....	37
BRAKE PEDAL · STAND · REAR FORK.....	39
FRAME.....	41
PART NO. INDEX.....	43

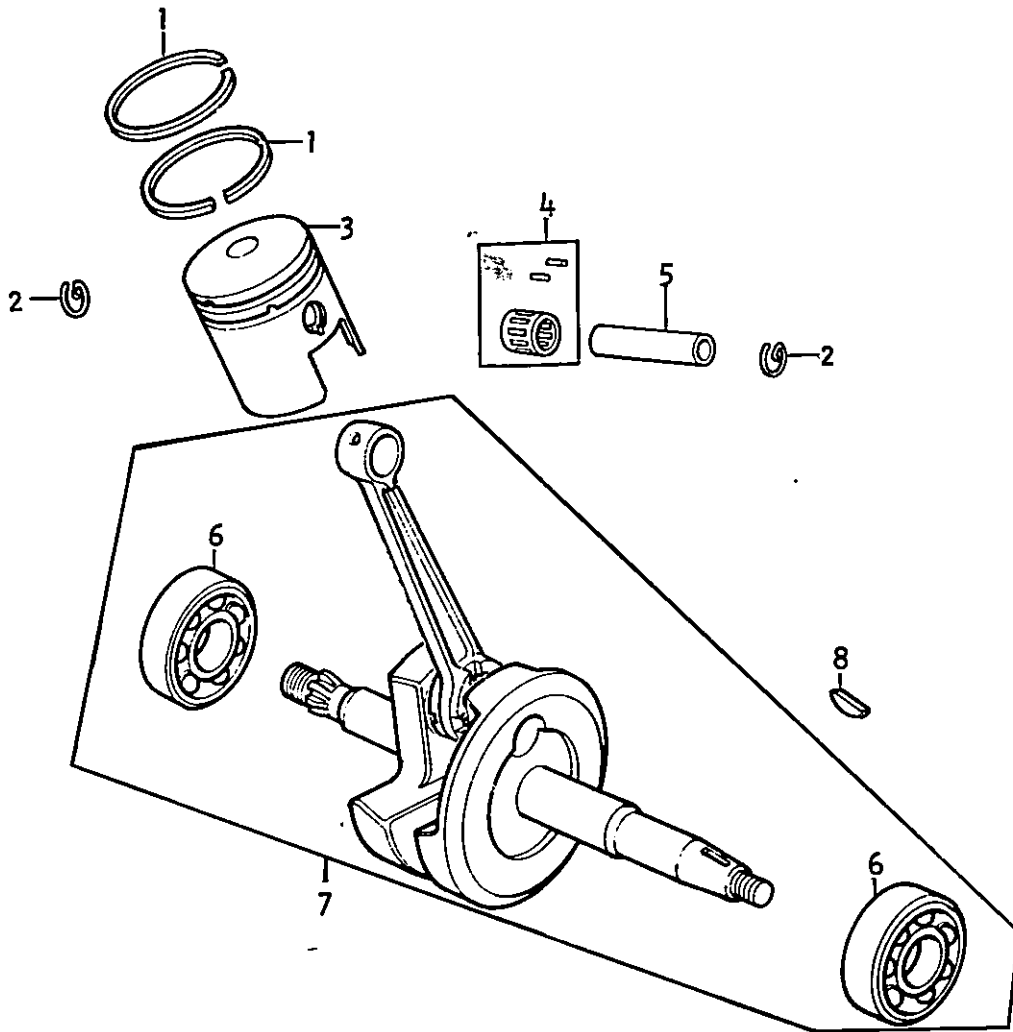
CYLINDER . CYLINDER HEAD



CYLINDER . CYLINDER HEAD

Ref. No.	H/C	Part Number	Description	MR50	Remarks
1	15606	94001-06000-0S	NUT, HEX., 6MM.....	3	
2	07096	90442-035-000	WASHER, SEALING, 6MM.....	2	
3	24633	98076-56741	PLUG, SPARK.....	1	
4	35997	12200-131-000	HEAD, CYLINDER.....	1	
5	06931	94301-08140	PIN A, DOWEL 8X14.....	4	
6	35998	12251-131-003	GASKET, CYLINDER HEAD.....	1	
7	35995	12100-131-000	CYLINDER COMP.....	1	
8	05861	92700-06031	BOLT, STUD 6X31.....	2	
9	35996	12191-122-000	GASKET, CYLINDER.....	1	
10	36155	90034-131-000	BOLT STUD, 6X24.....	2	
11	36014	<u>16267-131-000</u>	GASKET, CARBURETOR INSULATOR.....	1	
12	36015	17114-131-003	FLANGE, CARBURETOR INSULATOR.....	1	

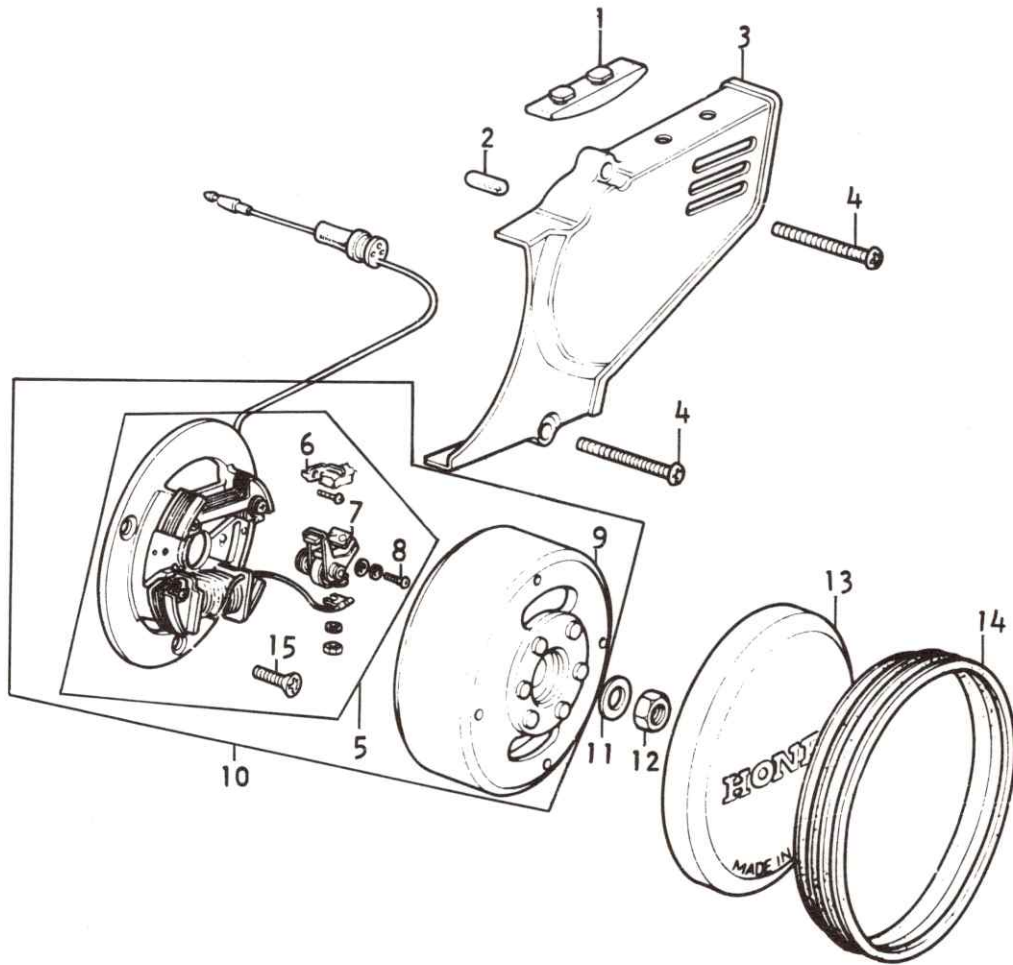
CRANKSHAFT . PISTON



CRANKSHAFT . PISTON

Ref. No.	H/C	Part Number	Description	MR50	Remarks
1	36000	13010-122-004	RING SET, PISTON *STD* NIPPON.....	1	
	36777	13021-131-004	RING SET, PISTON *0.25*.....	1	
	36778	13031-131-004	RING SET, PISTON *0.50*.....	1	
	36779	13041-131-004	RING SET, PISTON *0.75*.....	1	
	36780	13051-131-004	RING SET, PISTON *1.00*.....	1	
2	36003	13115-122-000	CLIP, PISTON PIN.....	2	
3	36001	13101-122-003	PISTON *STD*.....	1	
	36790	13102-131-000	PISTON *0.25*.....	1	
	36791	13103-131-000	PISTON *0.50*.....	1	
	36792	13104-131-000	PISTON *0.75*.....	1	
	36793	13105-131-000	PISTON *1.00*.....	1	
4	36173	91102-122-004	BEARING, CONNECTING ROD SMALLEND *TOYO*....	1	
5	36002	13111-122-000	PIN, PISTON.....	1	
6	05325	96100-62030	BEARING, RADIAL BALL, 6203.....	2	
7	35999	13000-131-000	CRANKSHAFT COMP.....	1	
8	07089	90741-035-000	KEY, WOODRUFF.....	1	

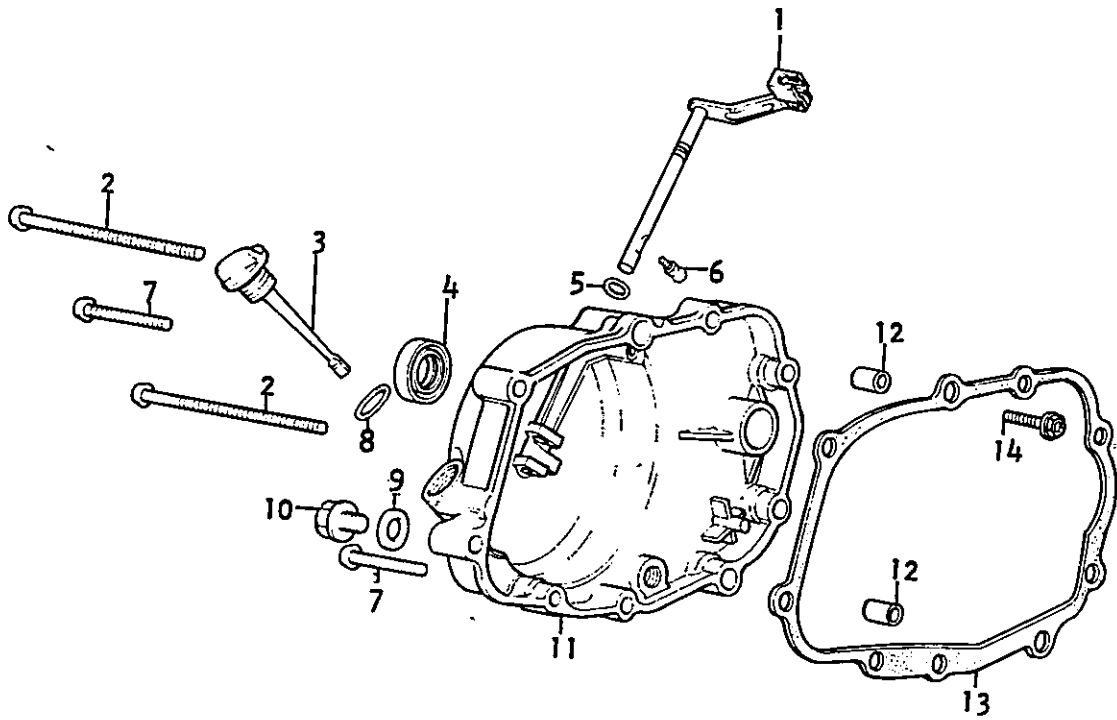
GENERATOR . COVER



GENERATOR . COVER

Ref. No.	H/C	Part Number	Description	MR50	Remarks
1	36775	40202-065-730	RUBBER, CHAIN GUIDE.....	1	
2	35994	11666-131-000	DAMPER, DRIVE CHAIN COVER.....	1	
3	35993	11660-131-000	COVER, DRIVE CHAIN.....	1	
4	05763	93500-06045	SCREW, PAN, 6X45.....	1	
5	36073	31141-131-004	STATOR COMP. *ND*.....	1	
6	36069	30205-131-004	FELT COMO., OIL *ND*.....	1	
7	36068	30202-131-004	BREAKER COMP., CONTACT *ND*.....	1	
8	17178	93500-04006-0A	SCREW, PAN, 4X6.....	1	
9	36072	31121-131-004	FLYWHEEL COMP. *ND*.....	1	
10	36071	31100-131-004	A.C. GENERATOR, FLYWHEEL *ND*.....	1	
11	07092	90426-035-000	WASHER, MAGNETO FIXING.....	1	
12	22302	94030-10000	NUT, HEX., 10MM.....	1	
13	16746	11431-063-000	COVER, DYNAMO.....	1	
14	35992	11432-131-000	RUBBER A.C. GENERATOR SEAL.....	1	
15	05579	93600-06016	SCREW, FLAT, 6X16.....	1	

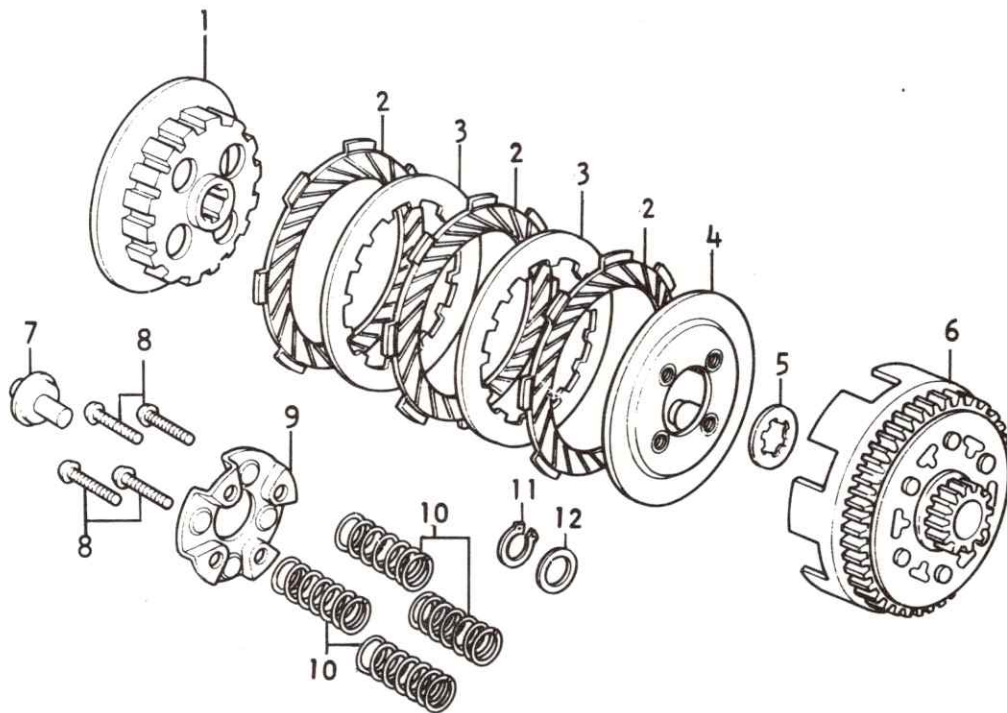
RIGHT CRANKCASE COVER . CLUTCH LEVER



RIGHT CRANKCASE COVER . CLUTCH LEVER

Ref. No.	H/C	Part Number	Description	MR50	Remarks
1	36038	22710-131-000	LEVER COMP., CLUTCH.....	1	
2	05771	93500-06070	SCREW, PAN, 6X70.....	1	
3	36004	15650-131-000	GAUGE, OIL LEVEL.....	1	
4	04043	91204-259-000	OIL SEAL, 16X28X7.....	1	
5	01804	91301-027-000	O RING, 6.8X1.9.....	1	
6	36039	22821-131-000	CAM, CLUTCH LIFTER.....	1	
7	05756	93500-06032	SCREW, PAN, 6X32.....	2	
8	12807	91311-044-000	O RING, 18X3.....	1	
9	03529	90407-259-000	PACKING, DRAIN COCK..... (SUPERSEDED BY 90407-231-000)	1	
	21834	90407-231-000	PACKING, DRAIN COCK.....	1	
10	05397	92800-12000	BOLT, DRAIN PLUG, 12MM.....	1	
11	35990	11331-131-000	COVER, RIGHT CRANKCASE.....	1	
12	06931	94301-08140	PIN A, DOWEL, 8X14.....	2	
13	35991	11391-131-000	GASKET, RIGHT CRANKCASE COVER.....	1	
14	37328	90179-538-000	BOLT, 5X16.....	1	

CLUTCH



CLUTCH

Ref. No.	H/C	Part Number	Description	MR50 ¹	Remarks
1	36031	22121-131-000	CENTER, CLUTCH.....	1	
2	36032	22201-131-000	DISK, CLUTCH FRICTION.....	3	
3	36033	22321-131-000	PLATE, CLUTCH.....	2	
4	36034	22350-131-000	PLATE, CLUTCH PRESSURE.....	1	
5	30904	90462-115-010	WASHER B, 17MM.....	1	
6	36030	22100-131-000	OUTER COMP., CLUTCH.....	1	
7	36036	22366-131-000	PIN, CLUTCH CENTER GUIDE.....	1	
8	05745	93500-06016	SCREW, PAN, 6X16.....	4	
9	36035	22361-131-000	PLATE, CLUTCH LIFTER.....	1	
10	36037	22401-131-000	SPRING, CLUTCH.....	4	
11	11284	94510-12000	CIR CLIP, EXTERNAL, 12MM.....	1	
12	36168	90507-913-000	WASHER A, 12MM.....	1	