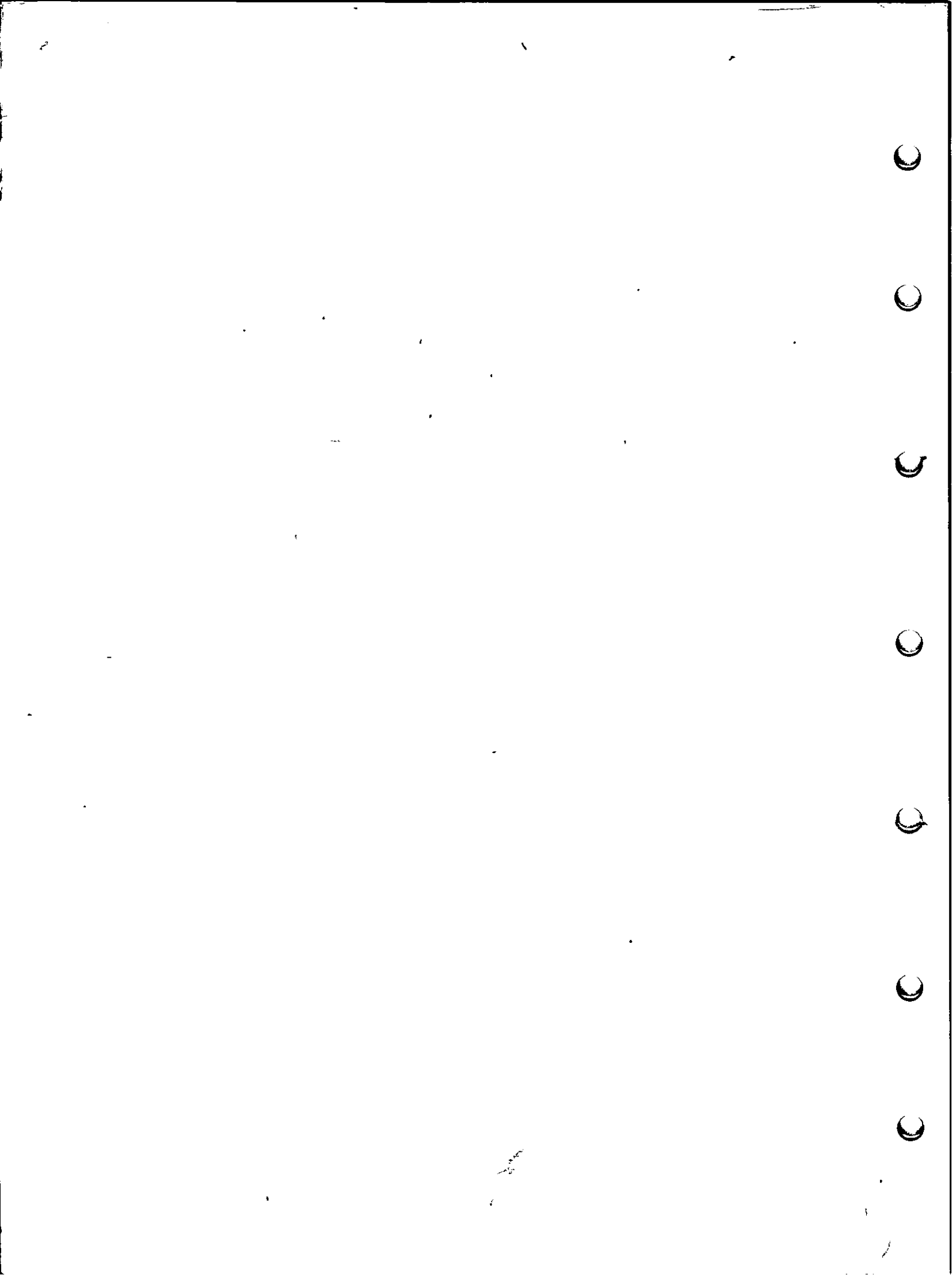


YAMAHA

PARTS LIST

MODEL RD125C

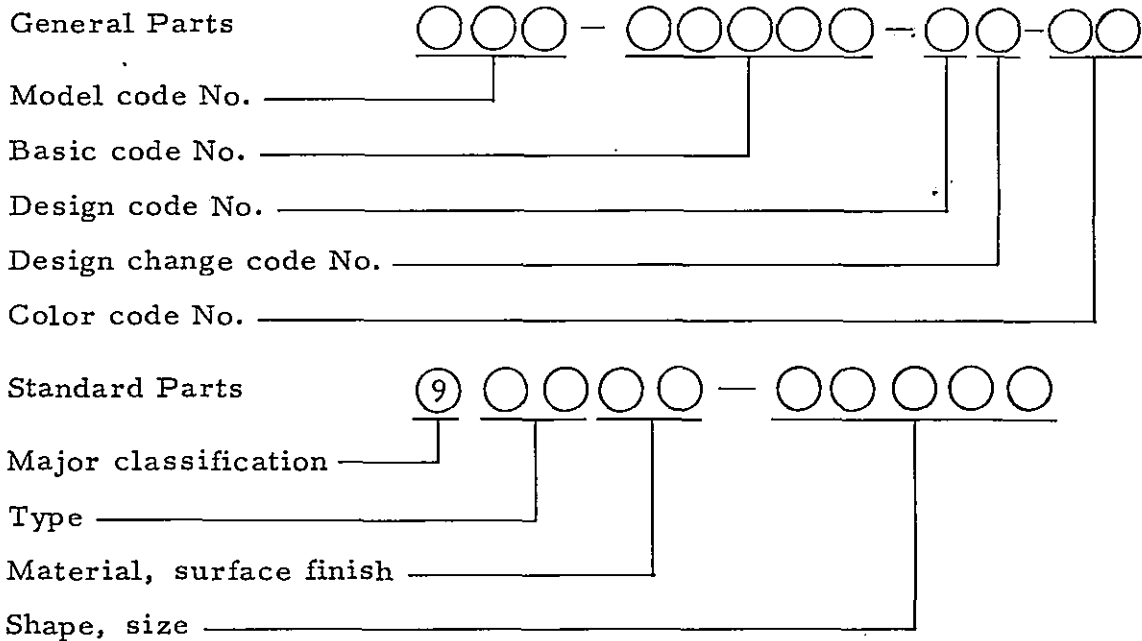


FOREWORD

This Parts List related to the parts in use for the YAMAHA RD125C. When you ordering replacement parts for the RD125C, refer to this Parts List and write both part numbers and part names correctly.

1. Structure of Part No.

Yamaha parts are divided largely into two categories; general parts and standard parts, and each part No. has the following structure:



Note: Every standard No. begins with 9.

2. How to Use this Parts List

(1) Except for steel balls (whose size is indicated in inches), the size of all parts is indicated in millimeters in the following manner.

- Pipe (rubber or vinyl) Inside diameter - length
- O-ring Section area - inside diameter
- Washer, shim, collar Inside diameter - outside diameter - thickness (length)

(2) Parts, which are to be supplied in the form of assemblies, are listed with an indention of one letter's space, and a dot (.) is put

against the name of each part. If any two different assemblies (e. g., right and left side components) consist of almost the same type components, these two assemblies are listed in two lines, and then the names of component parts are listed in the subsequent lines with an indentation as mentioned earlier. The quantity of parts is given in the following manner; that is, in the case of parts being the same in type between the right and left, a total quantity of parts is given. On the other hand, if the right and left side parts are different in type, the quantity of part(s) on each side is given.

Example

Description	Q'ty
CARBURETOR ASS'Y, left	1
CARBURETOR ASS'Y, right	1
. JET, pilot	2
. NOZZLE, main	2
:	
:	
:	
. LEVER, starter, left	1
. LEVER, starter, right	1

(3) Key to Symbols

U.R.	Use size (thickness) and/or number as required
U.N.	Use as many as you need
T	Number of teeth in a gear
V	Voltage for light bulbs
S	"S" type oil seal or "S" type circlip
SD	"SD" type oil seal
SO	"SO" type oil seal
SW	"SW" type oil seal
E	"E" type circlip
R	"R" type circlip
F/No.	Frame No. (Applicable machine No.)

- (4) The right and left in relation to parts are determined on the basis of the rider facing toward the front.
- (5) This Parts List is based on the model in the production line on Jan., 1975. Accordingly, if any modifications which have been made to parts will be announced in the Yamaha Parts News. It is advisable that according to the Yamaha Parts News, You will make necessary corrections to the Parts List on hand to keep it up-to dated.



CONTENTS

ENGINE

Fig. 1	Crankcase · Cylinder	1
Fig. 2	Crankcase Cover	3
Fig. 3	Crank · Piston	5
Fig. 4	Clutch	9
Fig. 5	Transmission	11
Fig. 6	Shifter 1	15
Fig. 7	Shifter 2	17
Fig. 8	Kick Starter	19
Fig. 9	Intake	21
Fig. 10	Carburetor	23
Fig. 11	Exhaust	27
Fig. 12	Oil Pump	29
Fig. 13	A. C. Generator	33

CHASSIS

Fig. 14	Frame	37
Fig. 15	Side Cover · Box	39
Fig. 16	Rear Arm · Rear Cushion · Chain Case	41
Fig. 17	Stand · Footrest · Brake Pedal	43
Fig. 18	Front Fender · Rear Fender	45
Fig. 19	Front Fork	47
Fig. 20	Steering	49
Fig. 21	Handle · Wire	51
Fig. 22	Fuel Tank	55
Fig. 23	Oil Tank	57
Fig. 24	Seat	59
Fig. 25	Front Wheel	61
Fig. 26	Rear Wheel	65

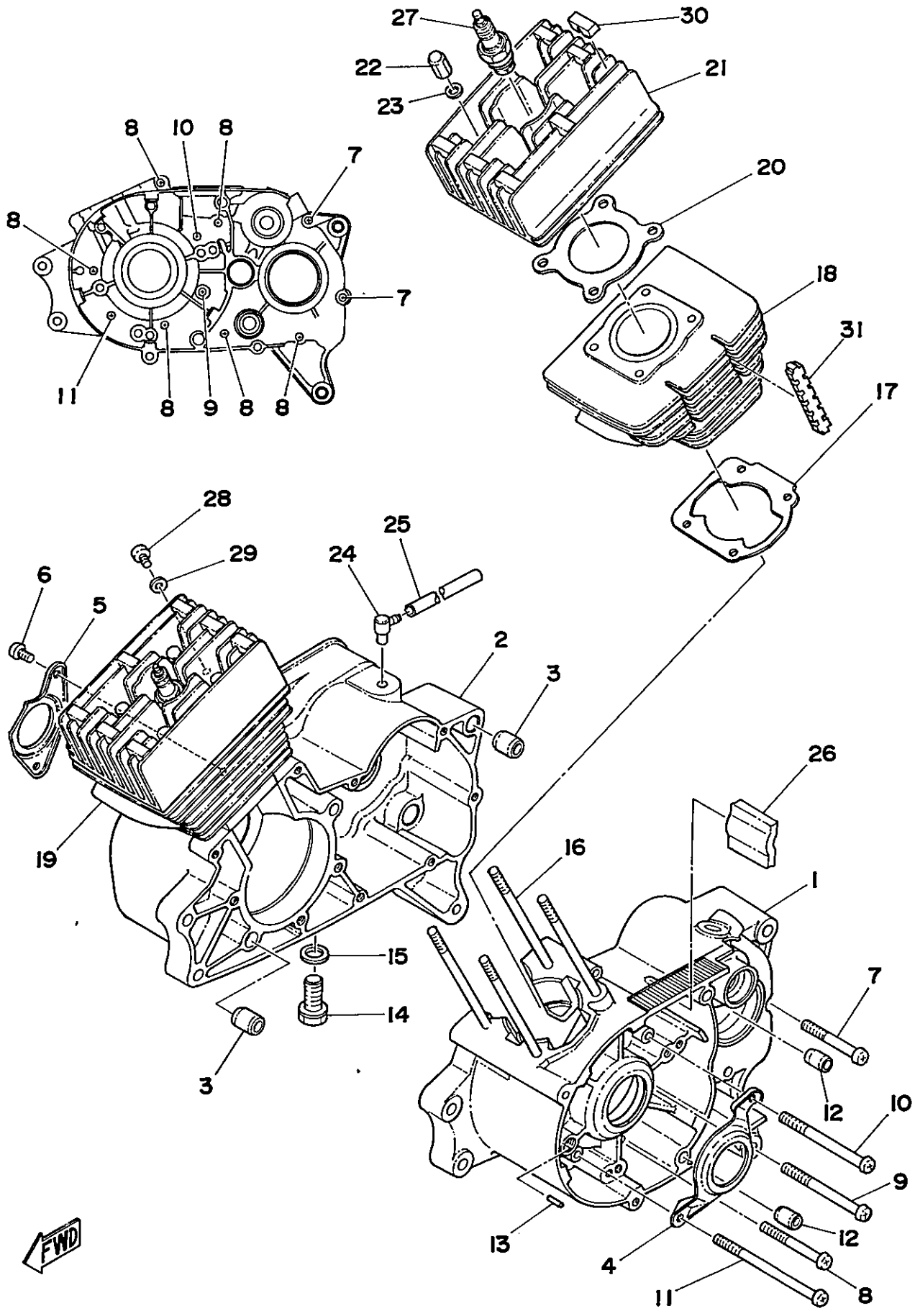
Fig. 27	Head Lamp & Speedometer	69
Fig. 28	Tail Lamp	73
Fig. 29	Flasher Lamp	75
Fig. 30	Electrical	77

NUMERICAL INDEX

ENGINE



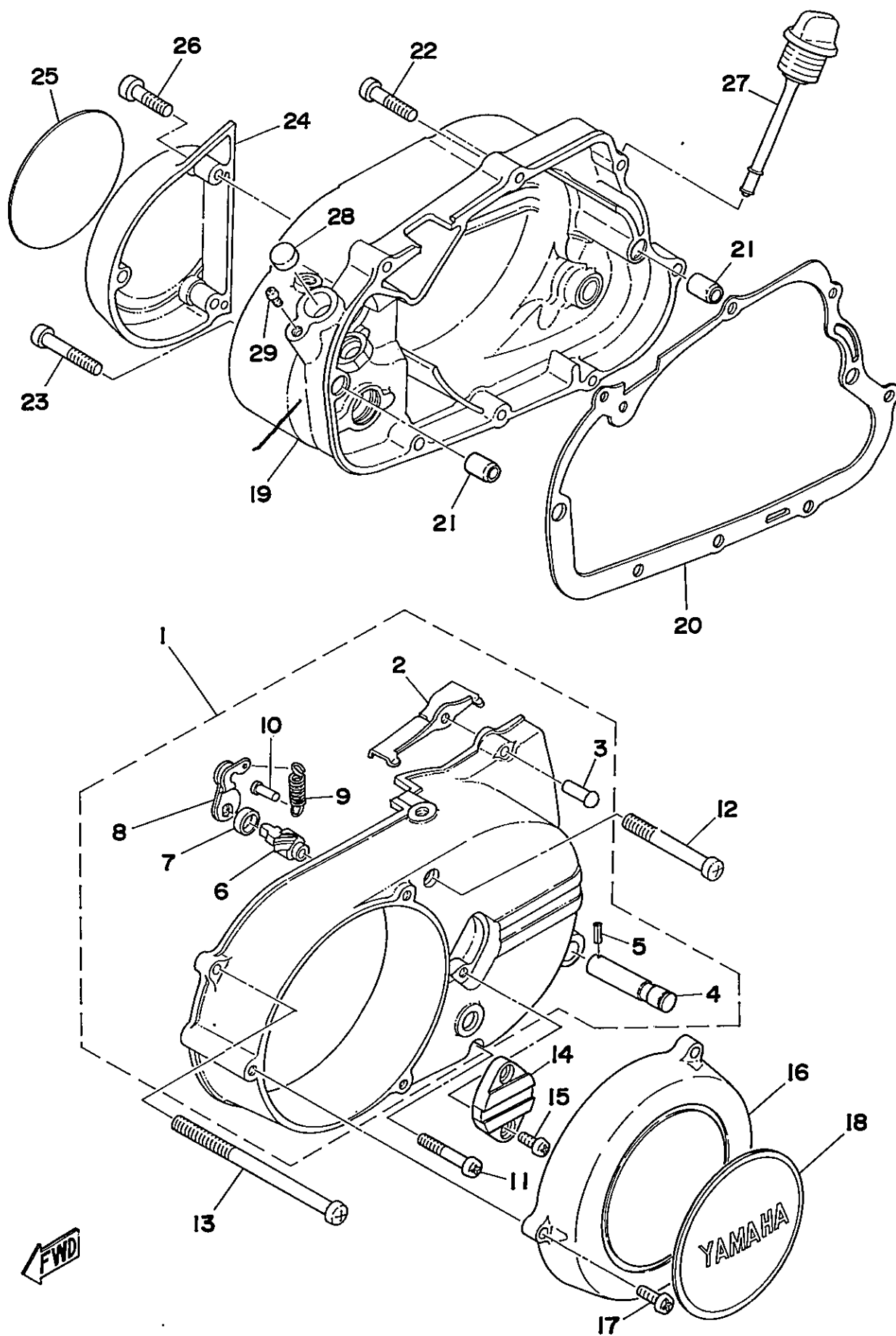
Fig. 1 CRANKCASE · CYLINDER



FWD

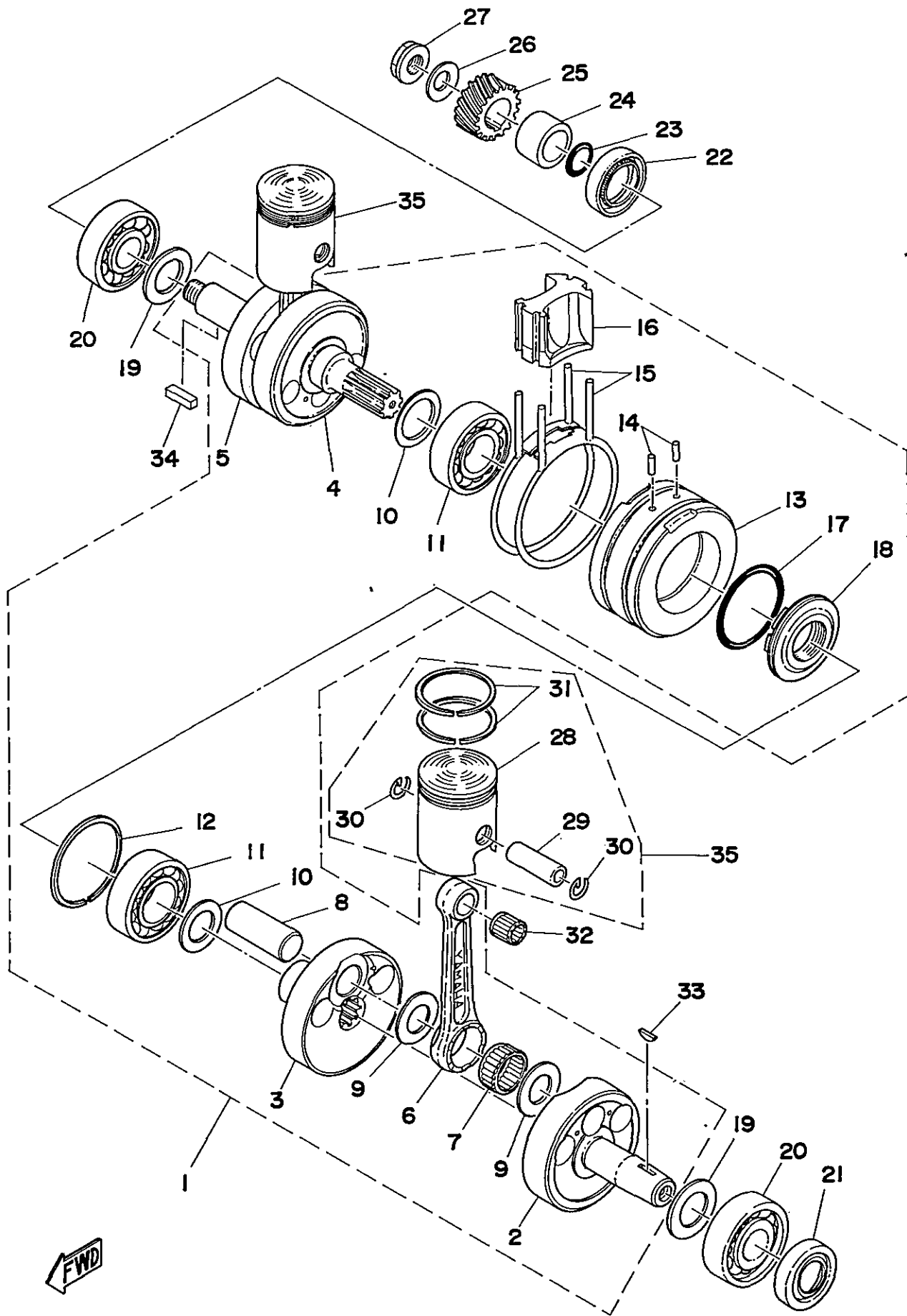
Ref. No.	Parts No.	Description	Q'ty	Applicable Machine No.	Remarks
1- 1	389-15111-00	CASE, crank left	1		
2	389-15121-00	CASE, crank right	1		
3	91810-05016	PIN, dowel (9.8-12-16)	2		
4	389-15128-00	HOLDER	1		
5	389-15118-00	HOLDER	1		
6	92501-06012	SCREW, panhead	2		
7	92501-06055	SCREW, panhead	2		
8	92501-06060	SCREW, panhead	6		
9	92501-06080	SCREW, panhead	1		
10	92501-06095	SCREW, panhead	1		
11	92501-06105	SCREW, panhead	1		
12	91810-02015	PIN, dowel (6.5-10-15)	2		
13	93603-14026	PIN, dowel (3-14)	1		
14	90340-12005	PLUG, drain (132-15351-00)	1		
15	90430-12038	GASKET (132-15353-00)	1		
16	90116-06100	BOLT (122-11361-00)	8		
17	396-11351-00	GASKET, cylinder	2		
18	396-11311-04	CYLINDER, left	1		
19	396-11321-04	CYLINDER, right	1		
20	183-11181-00	GASKET, cylinder head	2		
21	416-11111-00	HEAD, cylinder	2		
22	90176-06002	NUT (126-11171-60)	8		
23	92901-06200	WASHER, plain	8		
24	120-15371-00	BREATHER	1		
25	90446-06008	PIPE (248-15373-00 5-150)	1		
26	241-15357-00	GROMMET	1		
27	94701-00045	PLUG, spark (B-8ES)	2		
28	92503-06008	SCREW, panhead	2		
29	90430-06011	GASKET (137-13167-00)	2		
30	416-11161-00	ABSORBER	14		
31	416-11162-01	ABSORBER	4		

Fig. 2 CRANKCASE COVER



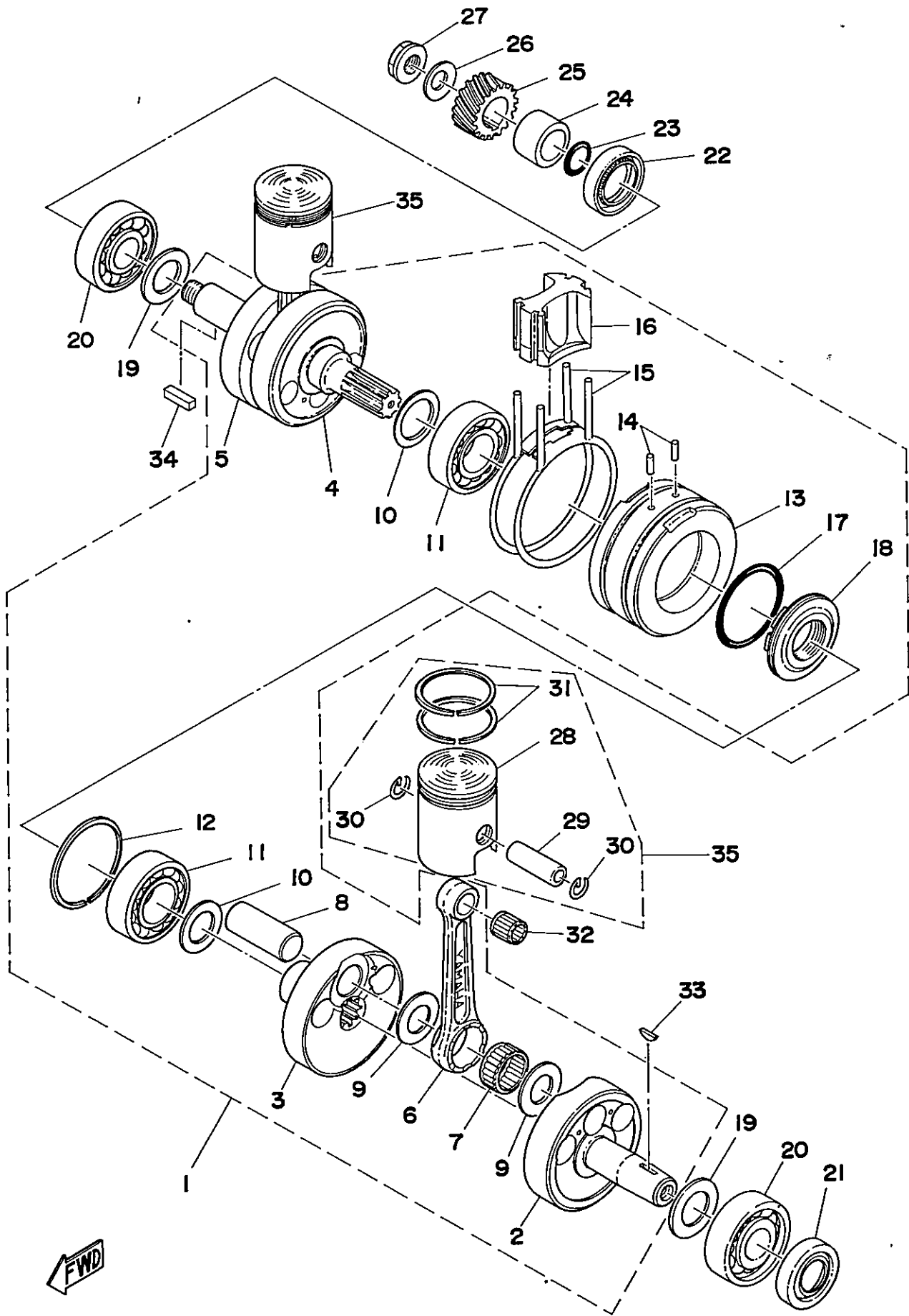
Ref. No.	Parts No.	Description	Q'ty	Applicable Machine No.	Remarks
2- 1	396-15410-00	CRANKCASE COVER ASS'Y, left 1		
2	183-15418-01	. COVER, chain case 1		
3	90266-06005	. RIVET (183-15448-00) 1		
4	307-18188-00	. SHAFT 1		
5	91609-30014	. PIN, spring 1		
6	241-16341-01	. SCREW, push 1		
7	93104-11028	. OIL SEAL (SO-10.5-15-3) 1		
8	241-16342-00	. LEVER, push 1		
9	90506-10019	. SPRING (132-16345-00) 1		
10	132-16346-00	. HOOK, spring 1		
11	92506-06035	SCREW, panhead 2		
12	92506-06060	SCREW, panhead 1		
13	92506-06120	SCREW, panhead 1		
14	396-15417-00	COVER, cap 1		
15	98506-05012	SCREW, panhead 2		
16	389-15415-00	COVER, generator 1		
17	92506-06020	SCREW, panhead 3		
18	389-15425-00	COVER 1		
19	396-15421-00	COVER, crankcase right 1		
20	252-15451-00	GASKET, crankcase cover right 1		
21	91810-02015	PIN, dowel (6.5-10-15) 2		
22	92506-06030	SCREW, panhead 7		
23	92506-06040	SCREW, panhead 1		
24	389-15416-00	COVER, oil pump 1		
25	389-15426-00	COVER 1		
26	92506-06035	SCREW, panhead 3		
27	307-15363-00	PLUG, oil 1		
28	90338-16015	PLUG, blind (168-17481-00) 1		
29	92501-06010	SCREW, panhead 1		

Fig. 3 CRANK · PISTON



Ref. No.	Parts No.	Description	Q'ty	Applicable Machine No.	Remarks
3- 1	416-11400-00	CRANK ASS'Y	1		
2	183-11412-02	. CRANK 1, left	1		
3	132-11422-03	. CRANK 1, right	1		
4	132-11432-03	. CRANK 2, left	1		
5	389-11442-00	. CRANK 2, right	1		
6	416-11651-00	. ROD, connecting	2		
7	93310-41809	. BEARING	2		
8	122-11681-00	. PIN, crank	2		
9	90209-18112	. WASHER (132-11685-00)	4		
10	132-11561-00-03	. SHIM, crank inside (25.5-35-0.3) ..	2		
11	93306-20526	. BEARING (B6205C4 special)	2		
12	93450-52010	. CIRCLIP	1		
13	132-11511-02	. COVER, crank	1		
14	93604-18058	. PIN, dowel (4-17.8)	2		
15	183-11512-00	. SEAL, crank cover	2		
16	307-11541-00	. METAL, filter	1		
17	93210-48045	. O-RING (1.8-4.8)	1		
18	132-11515-01	. SEAL, labyrinth	1		
19	136-11561-00-03	SHIM, crank outside (20.5-30-0.3) ..	} U. R 2		
	136-11561-00-04	SHIM, crank outside (20.5-30-0.4) ..			
	136-11561-00-05	SHIM, crank outside (20.5-30-0.5) ..			
	136-11561-00-06	SHIM, crank outside (20.5-30-0.6) ..			
	136-11561-00-07	SHIM, crank outside (20.5-30-0.7) ..			
	136-11561-00-08	SHIM, crank outside (20.5-30-0.8) ..			
20	93306-30405	BEARING (B6304C3 special)	2		
21	93102-20117	OIL SEAL (SD-20-40-8)	1		
22	93103-28011	OIL SEAL (SW-28-40-8)	1		
23	93210-18023	O-RING (1.2-17.6)	1		
24	90387-20163	COLLAR (183-16136-00)	1		
25	389-16111-00	GEAR, primary drive (19T)	1		
26	90208-12015	SPRING (164-16119-00)	1		
27	90179-12044	NUT (353-16144-00)	1		

Fig. 3 CRANK · PISTON

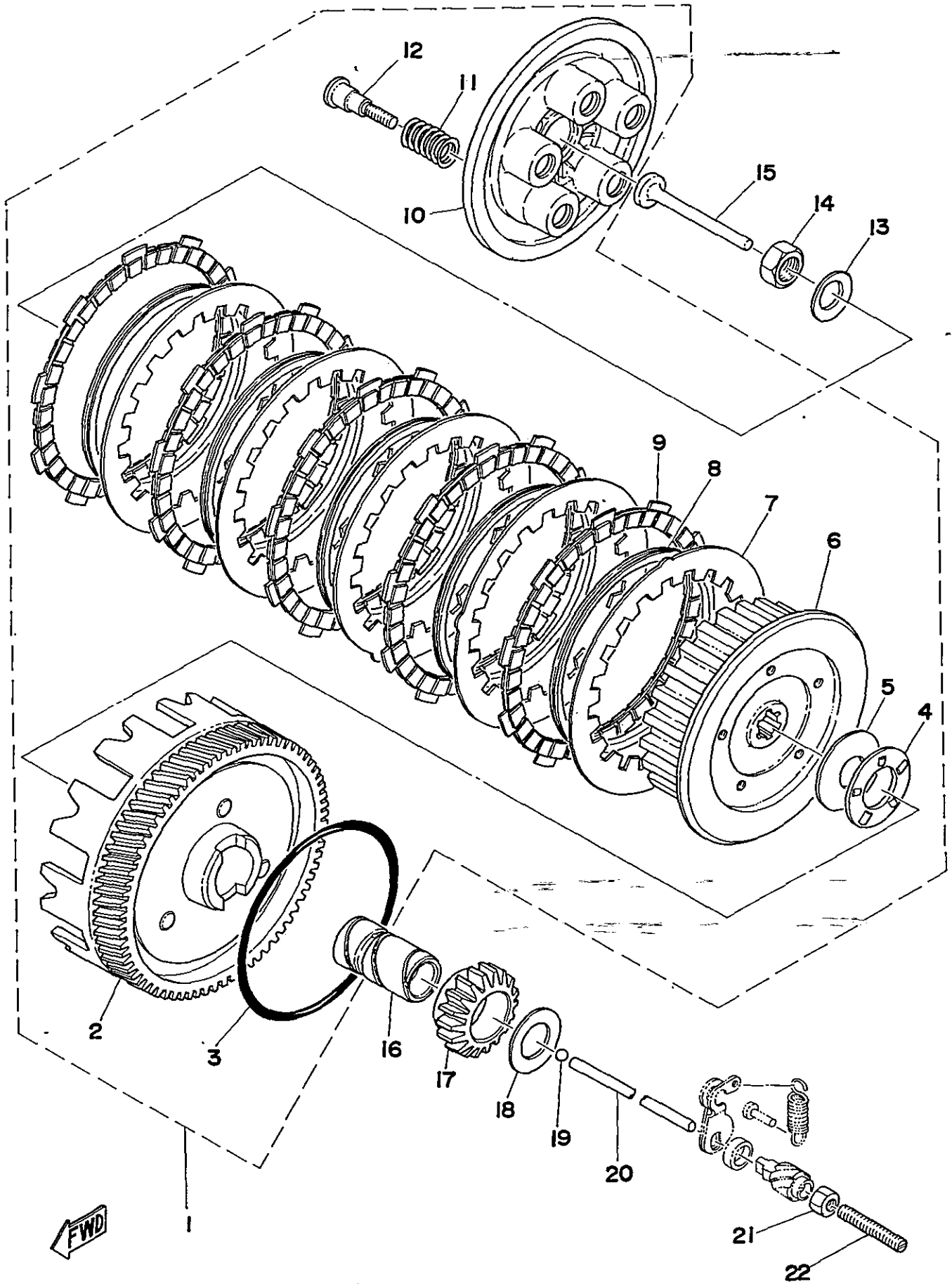


Ref. No.	Parts No.	Description	Q'ty	Applicable Machine No.	Remarks
3-28	466-11631-01-97	PISTON (42.97mm STD)	} U.R 2	
	466-11631-01-98	PISTON (42.98mm STD)		
	466-11635-01	PISTON (43.25mm 1st O.S) 2		Alternate Parts
	466-11636-01	PISTON (43.50mm 2nd O.S) 2		Alternate Parts
	466-11637-01	PISTON (43.75mm 3rd O.S) 2		Alternate Parts
	466-11638-01	PISTON (44.00mm 4th O.S) 2		Alternate Parts
29	183-11633-00	PIN, piston 2		
30	93450-13022	CIRCLIP (132-11634-00) 4		
31	307-11601-01	PISTON RING SET (STD) 2s		
	307-11601-11	PISTON RING SET (1st O.S) 2s		Alternate Parts
	307-11601-21	PISTON RING SET (2nd O.S) 2s		Alternate Parts
	307-11601-31	PISTON RING SET (3rd O.S) 2s		Alternate Parts
	307-11601-41	PISTON RING SET (4th O.S) 2s		Alternate Parts
32	93310-11296	BEARING 2		
33	90280-03017	KEY (146-11545-00) 1		
34	90282-05005	KEY (353-11546-00) 1		

ALTERNATE PARTS

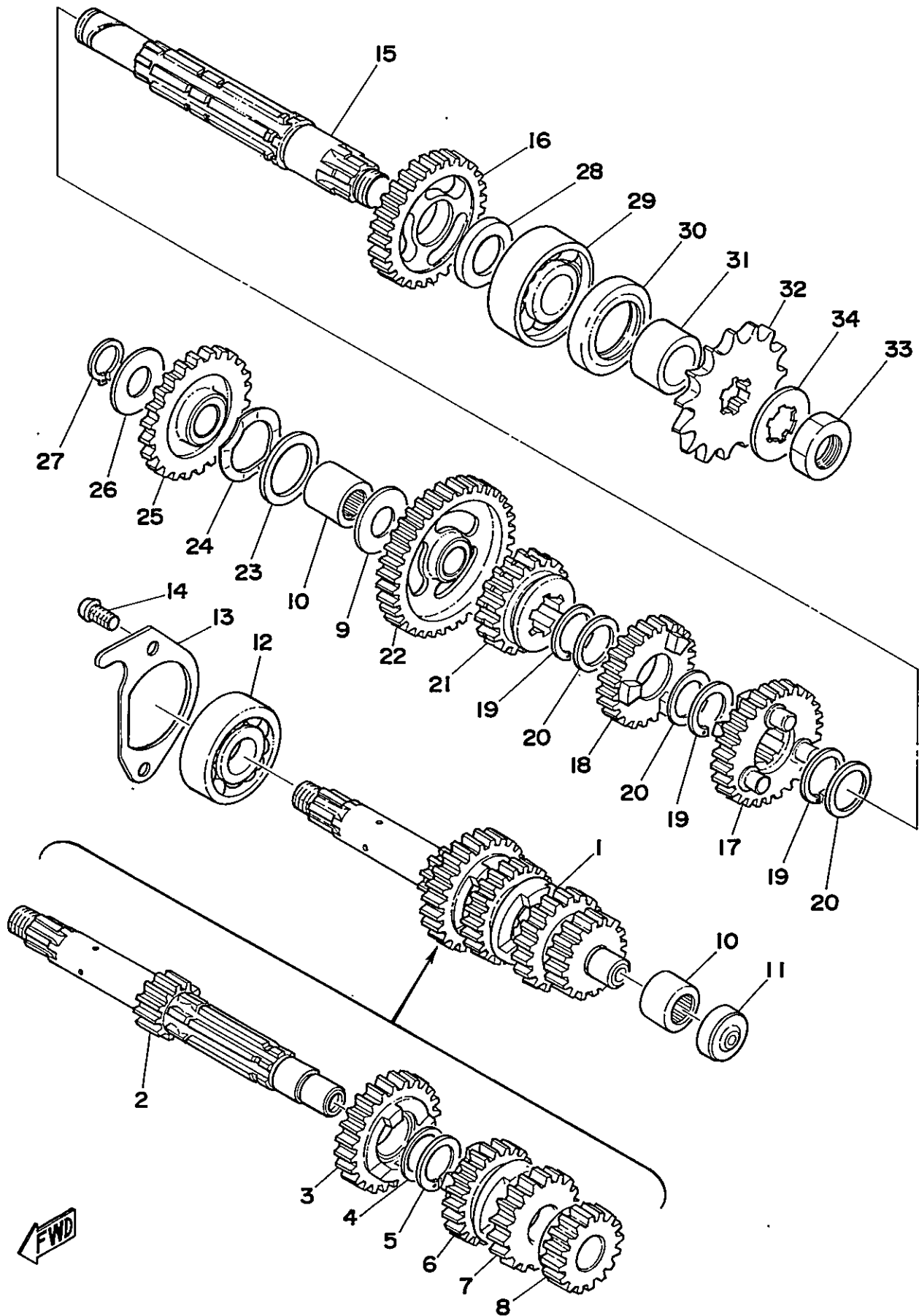
35	466-11630-00	PISTON ASS'Y (STD) 2	} Ref. No. 28, 29, 30, 31	
	466-11630-10	PISTON ASS'Y (1st O.S) 2		
	466-11630-20	PISTON ASS'Y (2nd O.S) 2		
	466-11630-30	PISTON ASS'Y (3rd O.S) 2		
	466-11630-40	PISTON ASS'Y (4th O.S) 2		

Fig. 4 CLUTCH



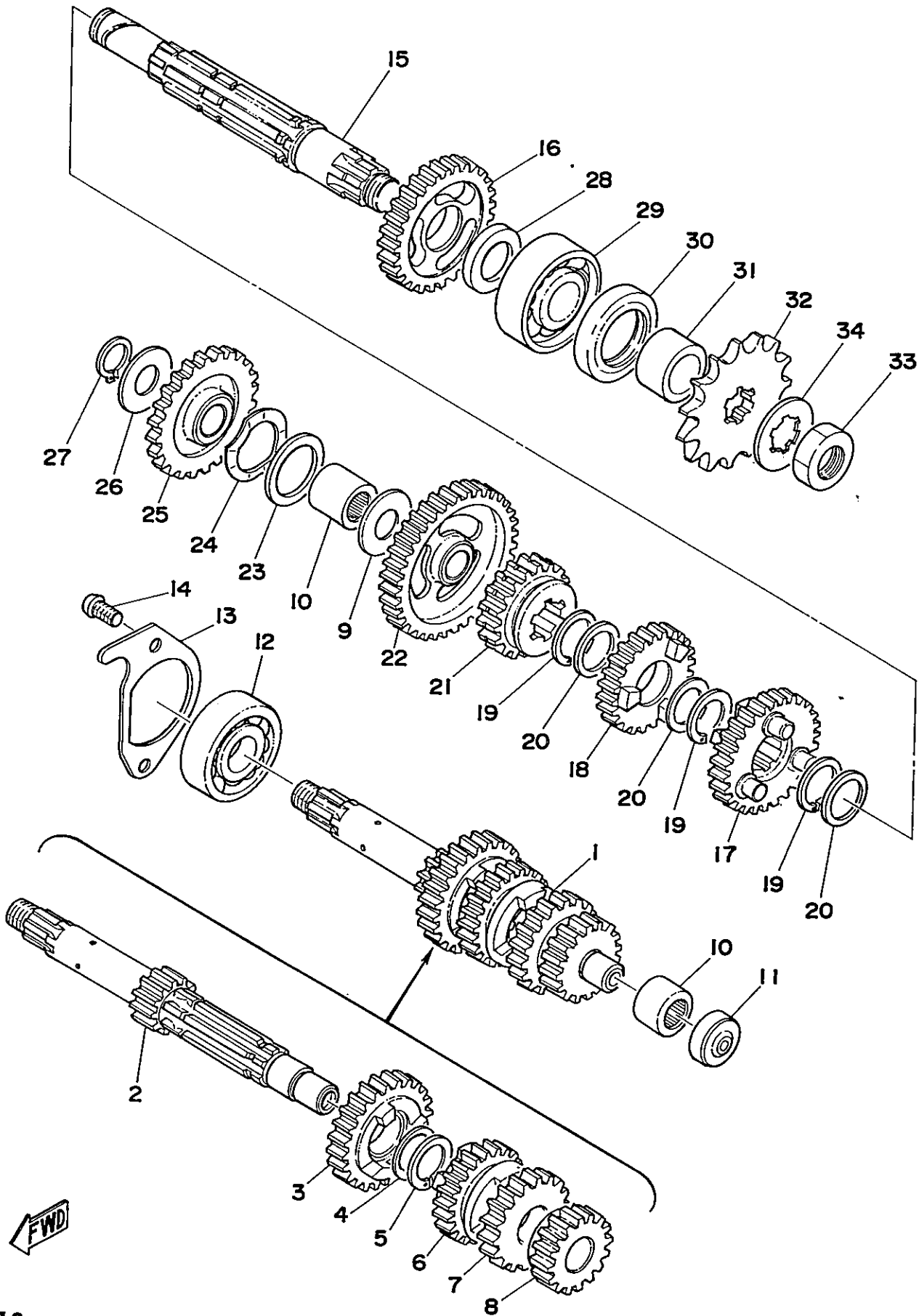
Ref. No.	Parts No.	Description	Qty	Applicable Machine No.	Remarks
4- 1	307-16301-00	CLUTCH ASS'Y	1		
2	307-16150-00	. PRIMARY DRIVEN GEAR COMP. (74T)	1		
3	132-16369-00	. RING, friction	1		
4	93341-22302	. BEARING, thrust	1		
5	131-16154-00	. PLATE, thrust (17.2-37-2.0)	1		
6	132-16371-02	. BOSS, clutch	1		
7	336-16324-00	. PLATE, clutch	5		
8	307-16367-00	. RING, cushion	5		
9	307-16321-00	. PLATE, friction	5		
10	132-16351-00	. PLATE, pressure	1		
11	90501-20125	. SPRING (132-16333-00)	5		
12	90149-05057	. SCREW (137-16337-01)	5		
13	90208-12015	SPRING (164-16119-00)	1		
14	90170-12060	NUT (137-16377-00)	1		
15	137-16356-00	ROD, push 1	1		
16	183-16181-01	SPACER	1		
17	132-15631-00	GEAR, kick pinion (19T)	1		
18	122-16164-00	PLATE, thrust (17.2-30-2.0)	1		
19	93501-04011	BALL (1/4 inch)	1		
20	307-16357-00	ROD, push 2	1		
21	95301-06700	NUT	1		
22	90113-06013	BOLT, set (241-16343-00)	1		

Fig. 5 TRANSMISSION



Ref. No.	Parts No.	Description	Q'ty	Applicable Machine No.	Remarks
5- 1	307-17410-00	MAIN AXLE ASS'Y	1		
2	183-17411-00	. AXLE, main (11T)	1		
3	183-17151-00	. GEAR, 5th pinion (25T)	1		
4	90201-20266	. WASHER (132-17216-00)	1		
5	93440-20043	. CIRCLIP (132-17414-00)	1		
6	307-17141-00	. GEAR, 4th pinion (22T)	1		
7	307-17131-00	. GEAR, 3rd pinion (20T)	1		
8	183-17121-01	. GEAR, 2nd pinion (16T)	1		
9	164-17427-00-08	SHIM, drive axle (15.2-30-0.8)	...	} U.R 1	
	164-17427-00-10	SHIM, drive axle (15.2-30-1.0)	...		
	164-17427-00-12	SHIM, drive axle (15.2-30-1.2)	...		
10	93315-31502	BEARING	2		
11	132-15389-00	SEAL, push rod	1		
12	93306-30304	BEARING (B6303Z)	1		
13	307-17471-00	PLATE, bearing cover	1		
14	92501-06012	SCREW, panhead	2		
15	183-17421-00	AXLE, drive	1		
16	307-17221-01	GEAR, 2nd wheel (29T)	1		
17	307-17231-00	GEAR, 3rd wheel (26T)	1		
18	307-17241-00	GEAR, 4th wheel (23T)	1		
19	93440-20043	CIRCLIP (132-17414-00)	3		
20	90201-20266	WASHER (132-17216-00)	3		
21	183-17251-00	GEAR, 5th wheel (21T)	1		
22	307-17211-01	GEAR, 1st wheel (35T)	1		
23	90201-25290	WASHER (131-15653-00)	1		
24	131-15643-00	WASHER, wave	1		
25	183-15651-00	GEAR, kick idle (28T)	1		
26	164-17427-00-08	SHIM, drive axle (15.2-30-0.8)	...	} U.R 1	
	164-17427-00-10	SHIM, drive axle (15.2-30-1.0)	...		
	164-17427-00-12	SHIM, drive axle (15.2-30-1.2)	...		
27	93410-15005	CIRCLIP (S-15)	1		
28	90560-20038	SPACER (248-17429-00)	1		

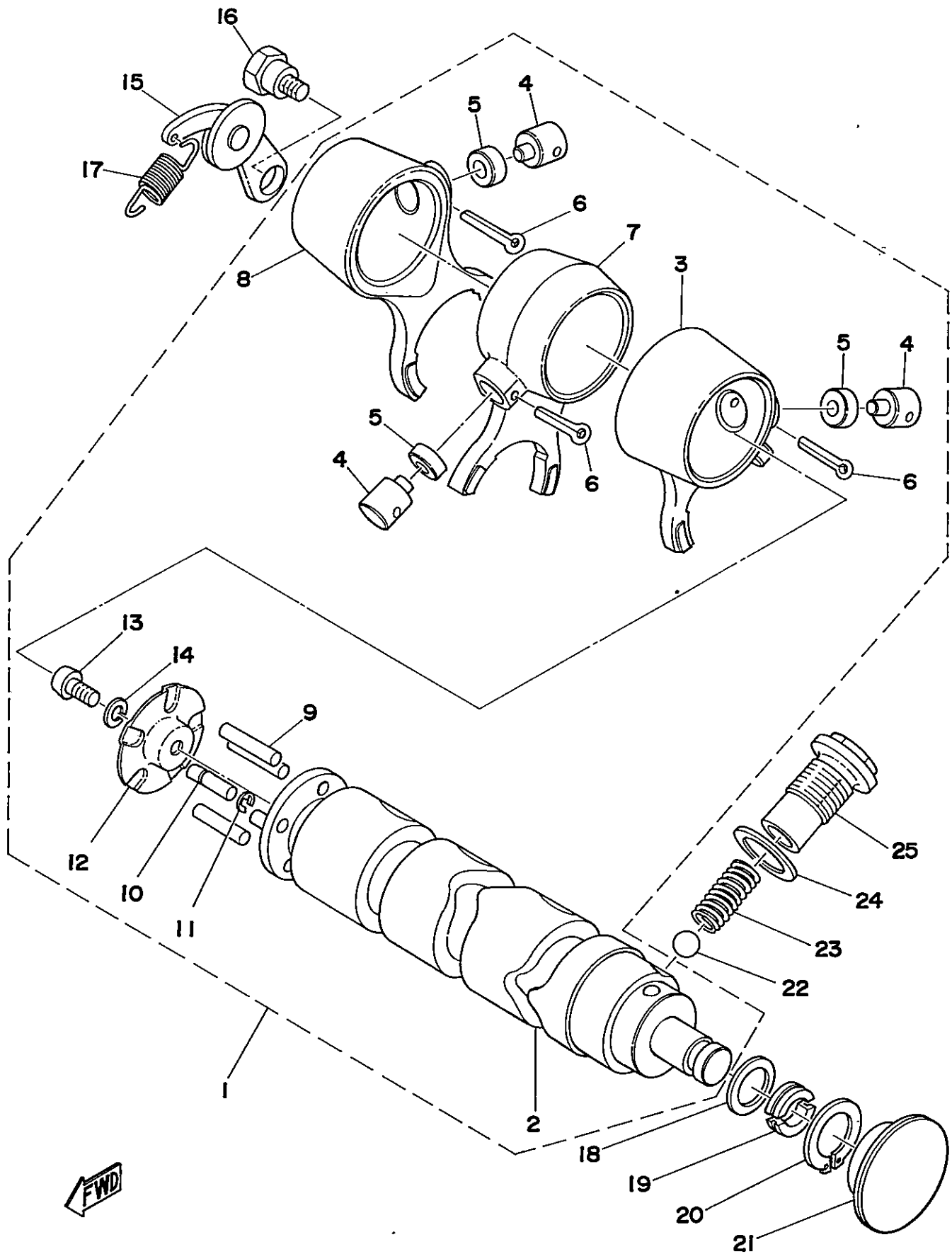
Fig. 5 TRANSMISSION



FWD

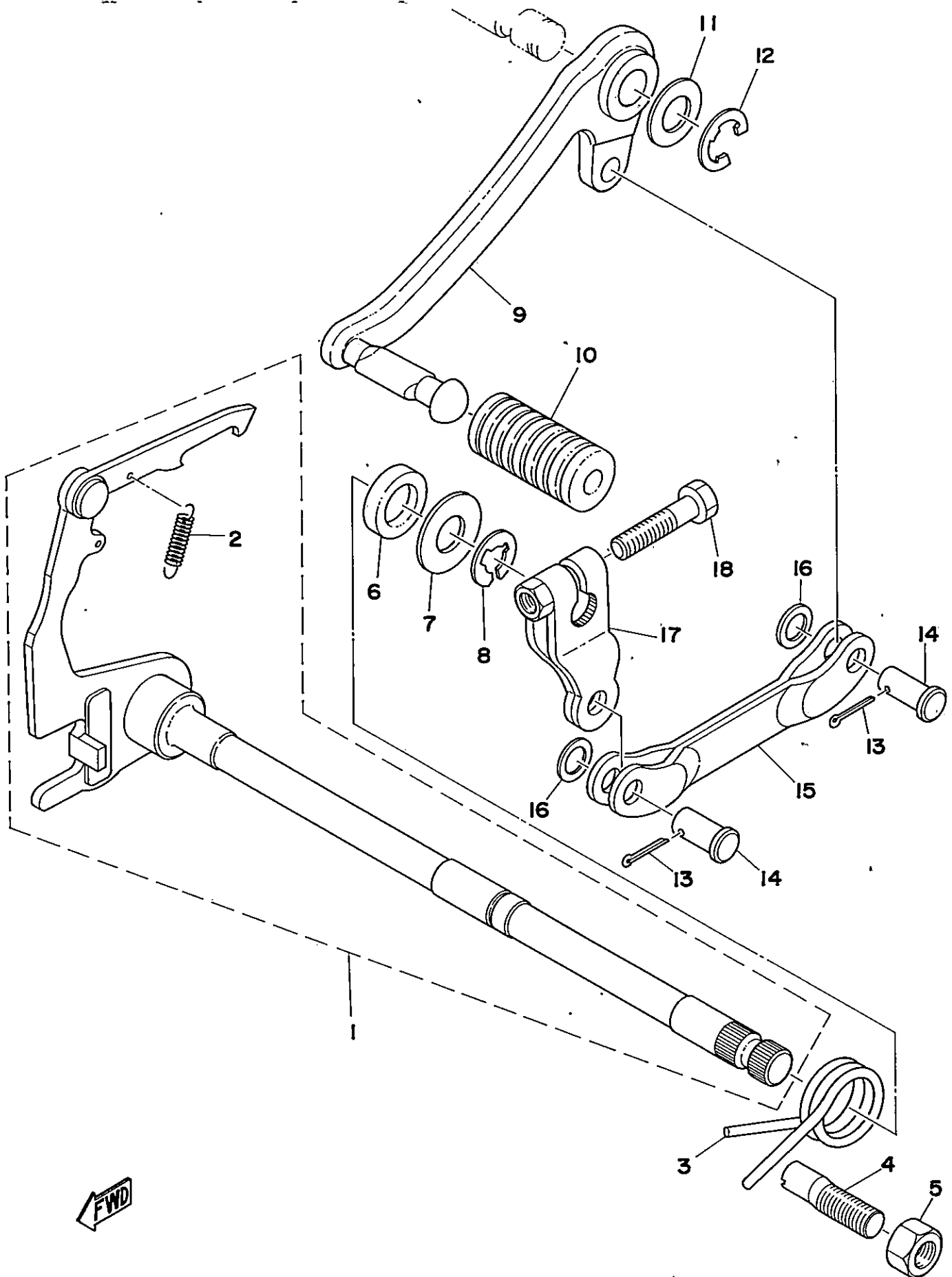
Ref. No.	Parts No.	Description	Q'ty	Applicable Machine No.	Remarks
5-29	93306-30401	BEARING (B6304)	1		
30	93102-28021	OIL SEAL (SD-28-44-7)	1		
31	90387-20346	COLLAR (102-17462-00)	1		
32	174-17461-30	SPROCKET, drive (13T)	1	U.R.	STD
	174-17461-40	SPROCKET, drive (14T)			
	174-17461-50	SPROCKET, drive (15T)			
	174-17461-60	SPROCKET, drive (16T)			
33	90179-16018	NUT (102-17463-00)	1		
34	90215-16020	WASHER (102-17464-00)	1		

Fig. 6 SHIFTER 1



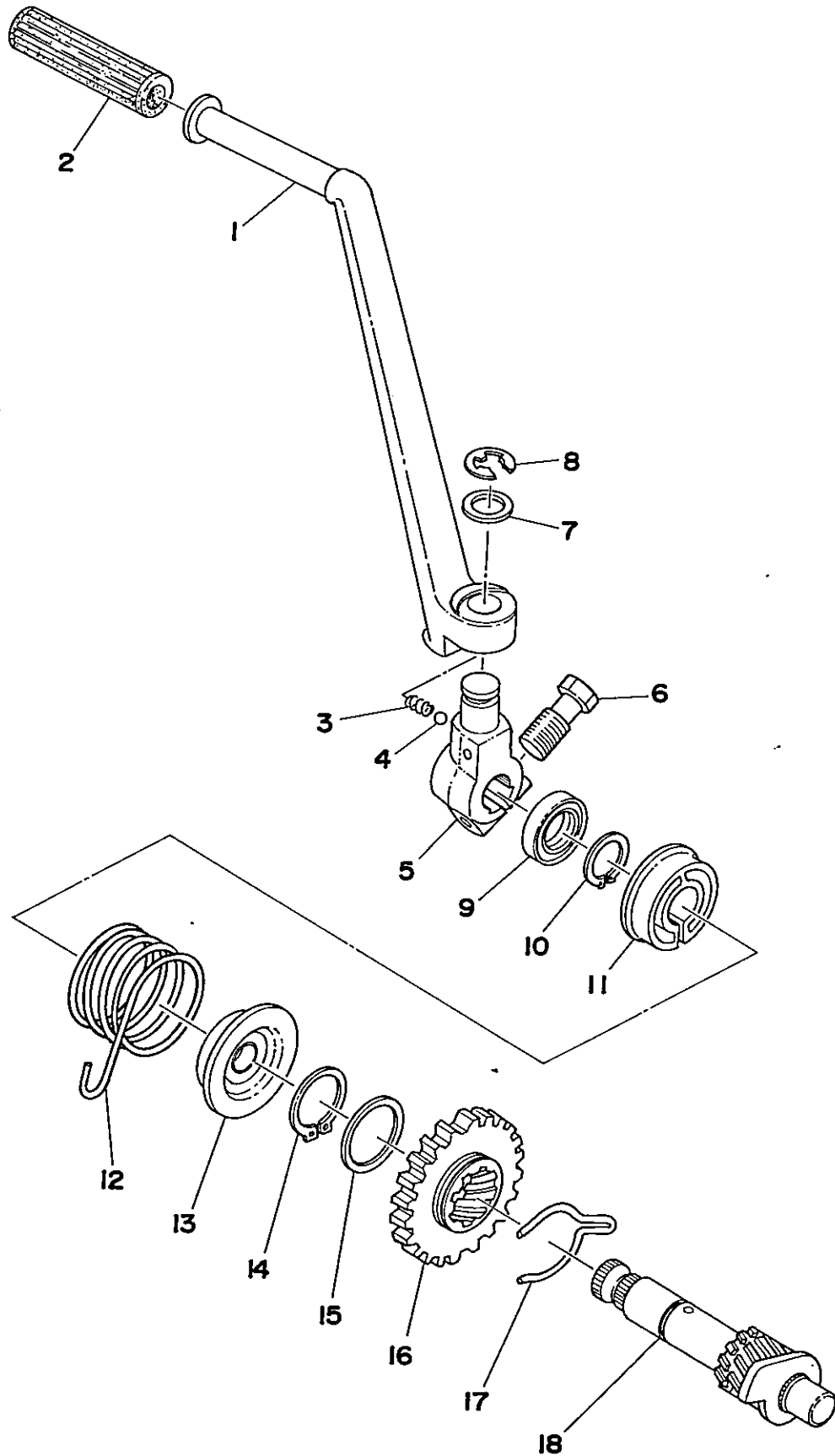
Ref. No.	Parts No.	Description	Q'ty	Applicable Machine No.	Remarks
6- 1	183-18500-02	SHIFTER ASS'Y	1		
2	183-18541-02	. CAM, shift	1		
3	183-18511-00	. FORK, shift 1	1		
4	90250-10020	. PIN (164-18552-01)	3		
5	164-18551-00	. ROLLER, cam follow	3		
6	91401-25020	. PIN, cotter	3		
7	183-18512-00	. FORK, shift 2	1		
8	183-18513-00	. FORK, shift 3	1		
9	93604-22050	. PIN, dowel (4-21.8)	4		
10	90249-04039	. PIN (174-18544-00)	1		
11	93430-03014	. CIRCLIP (E-2.5)	1		
12	164-18561-00	. PLATE, side	1		
13	98501-05012	. SCREW, panhead	1		
14	92901-05100	. WASHER, spring	1		
15	132-18140-01	STOPPER LEVER ASS'Y	1		
16	90109-06001	BOLT (132-18177-00)	1		
17	90506-09112	SPRING, tension	1		
18	90201-12166	WASHER (164-18572-00)	1		
19	307-18571-00	HOLDER, shift cam	2		
20	93440-15012	CIRCLIP	1		
21	307-18533-00	PLUG, blind	1		
22	93505-16006	BALL (5/16 inch)	1		
23	90501-12083	SPRING (174-18558-00)	1		
24	137-15353-00	GASKET (14.5-21-15)	1		
25	90109-14199	SCREW (174-18578-00)	1		

Fig. 7 SHIFTER 2



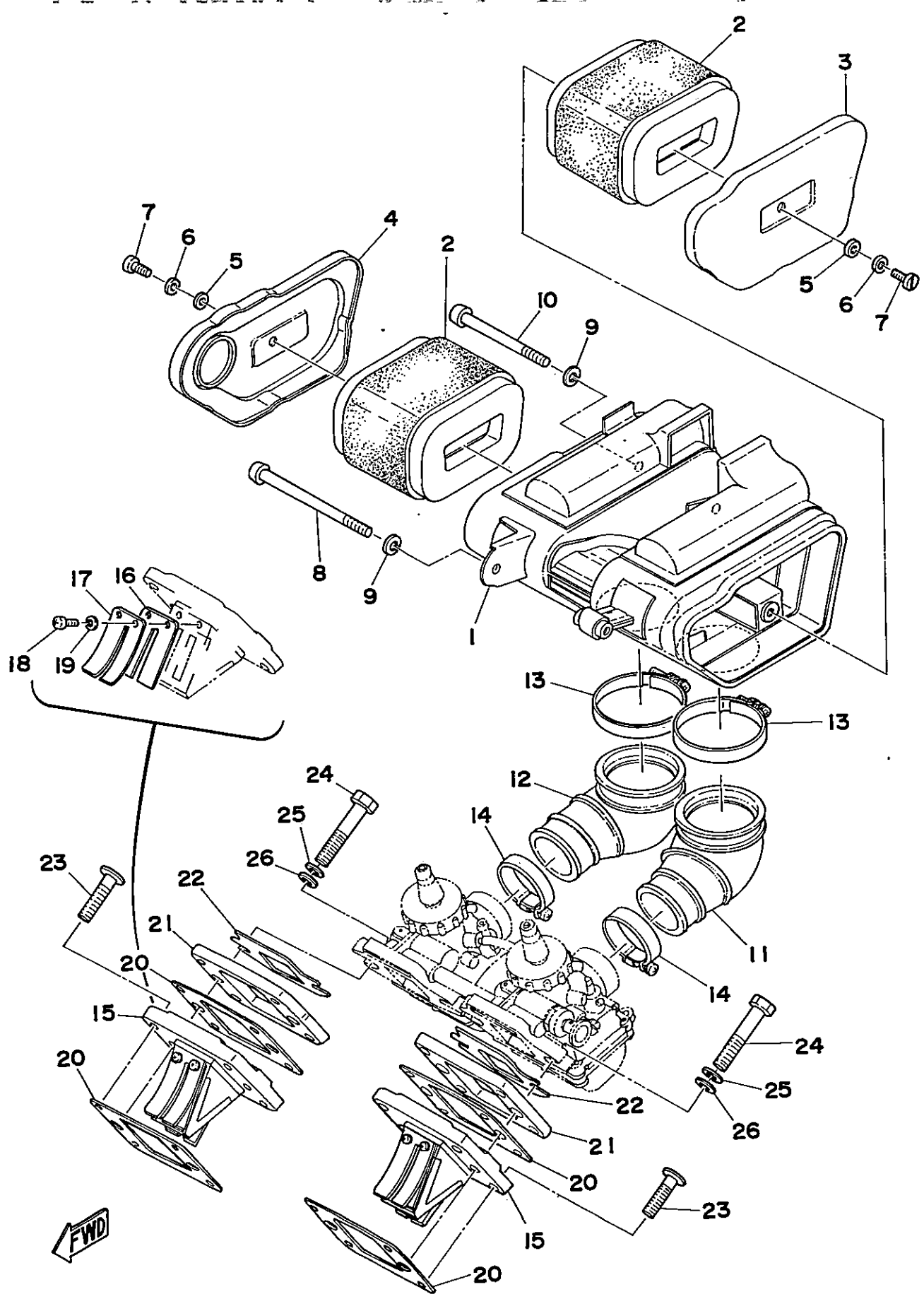
Ref. No.	Parts No.	Description	Q'ty	Applicable Machine No.	Remarks
7- 1	307-18101-01	CHANGE SHAFT ASS'Y	1		
2	90506-09009	. SPRING (132-18123-00)	1		
3	90508-32207	SPRING (132-18124-00)	1		
4	90149-08014	SCREW, adjusting	1		
5	95301-08600	NUT, hexagon	1		
6	93101-12004	OIL SEAL (S-12-22-5)	1		
7	90201-12183	WASHER (132-18137-00)	1		
8	93430-10016	CIRCLIP (E-10)	1		
9	307-18111-00-93	PEDAL, change	1		
10	132-18113-01	COVER, change pedal	1		
11	90201-12174	WASHER (183-22142-10)	1		
12	93430-10016	CIRCLIP (E-10)	1		
13	91401-16012	PIN, cotter	2		
14	90240-08013	PIN (307-18118-00)	2		
15	326-18115-00	ROD, change	1		
16	90201-08085	WASHER (141-18139-00)	2		
17	307-18112-00-93	ARM, change	1		
18	97321-06030	BOLT	1		

Fig. 8 KICK STARTER



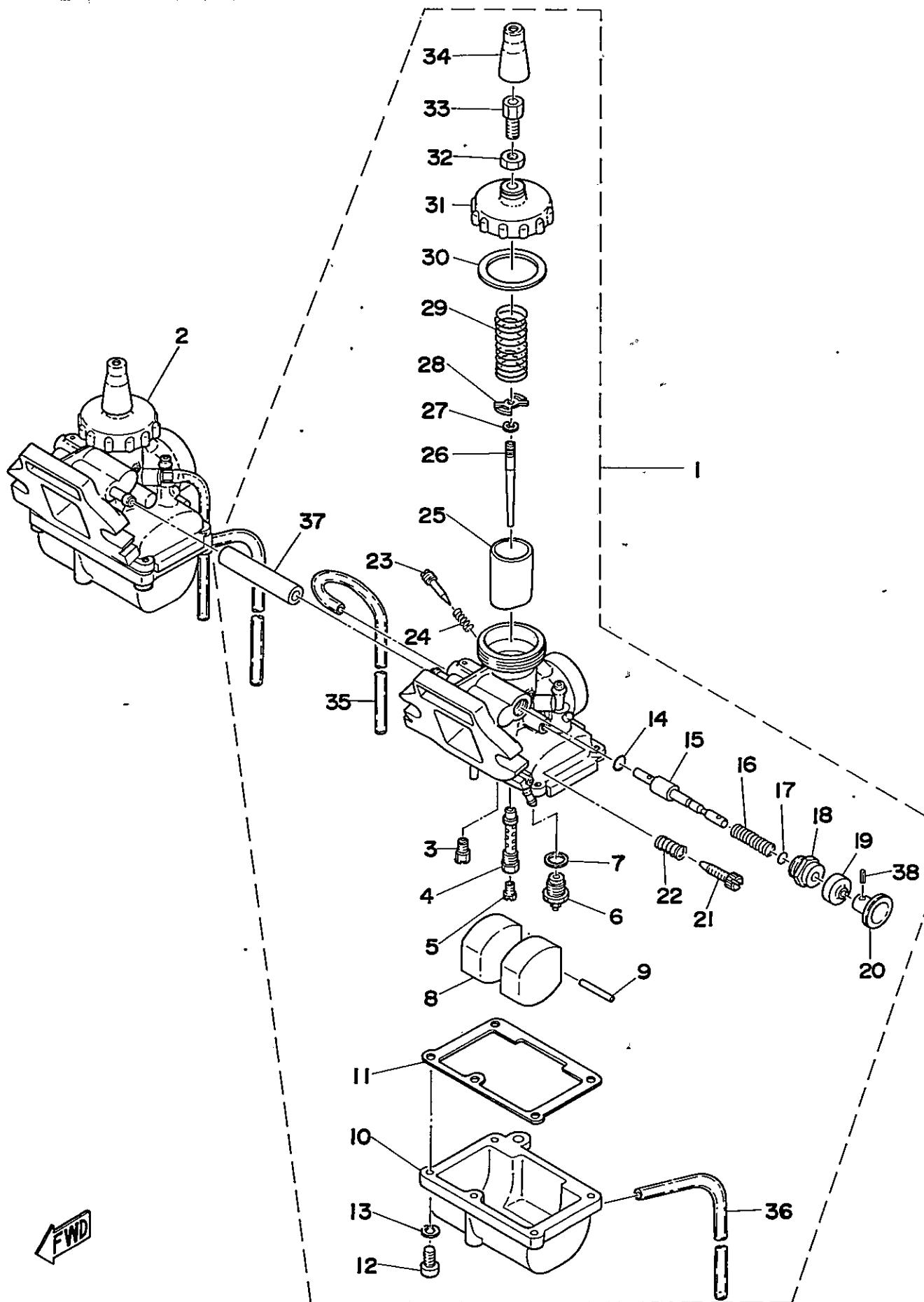
Ref. No.	Parts No.	Description	Q'ty	Applicable Machine No.	Remarks
8- 1	278-15611-00-93	CRANK, kick	1		
2	156-15618-01	COVER, kick lever	1		
3	90501-12081	SPRING (278-15622-00)	1		
4	93507-32009	BALL (7/32 inch)	1		
5	337-15621-01-91	BOSS, kick crank	1		
6	97321-06025	BOLT	1		
7	90201-15234	WASHER (278-15613-00)	1		
8	93430-10016	CIRCLIP (E-10)	1		
9	93109-15001	OIL SEAL (SDO-15-26-6)	1		
10	93410-15005	CIRCLIP (S-15)	1		
11	132-15676-00	COVER, kick spring	1		
12	90508-26136	SPRING (304-15665-00)	1		
13	132-15664-00	GUIDE, kick spring	1		
14	93410-25017	CIRCLIP (S-25)	1		
15	117-15644-00	SHIM (25.1-32-1.0)	1		
16	180-15641-00	GEAR, kick (28T)	1		
17	180-15687-00	CLIP, kick	1		
18	180-15660-00	KICK AXLE ASS'Y	1		

Fig. 9 INTAKE



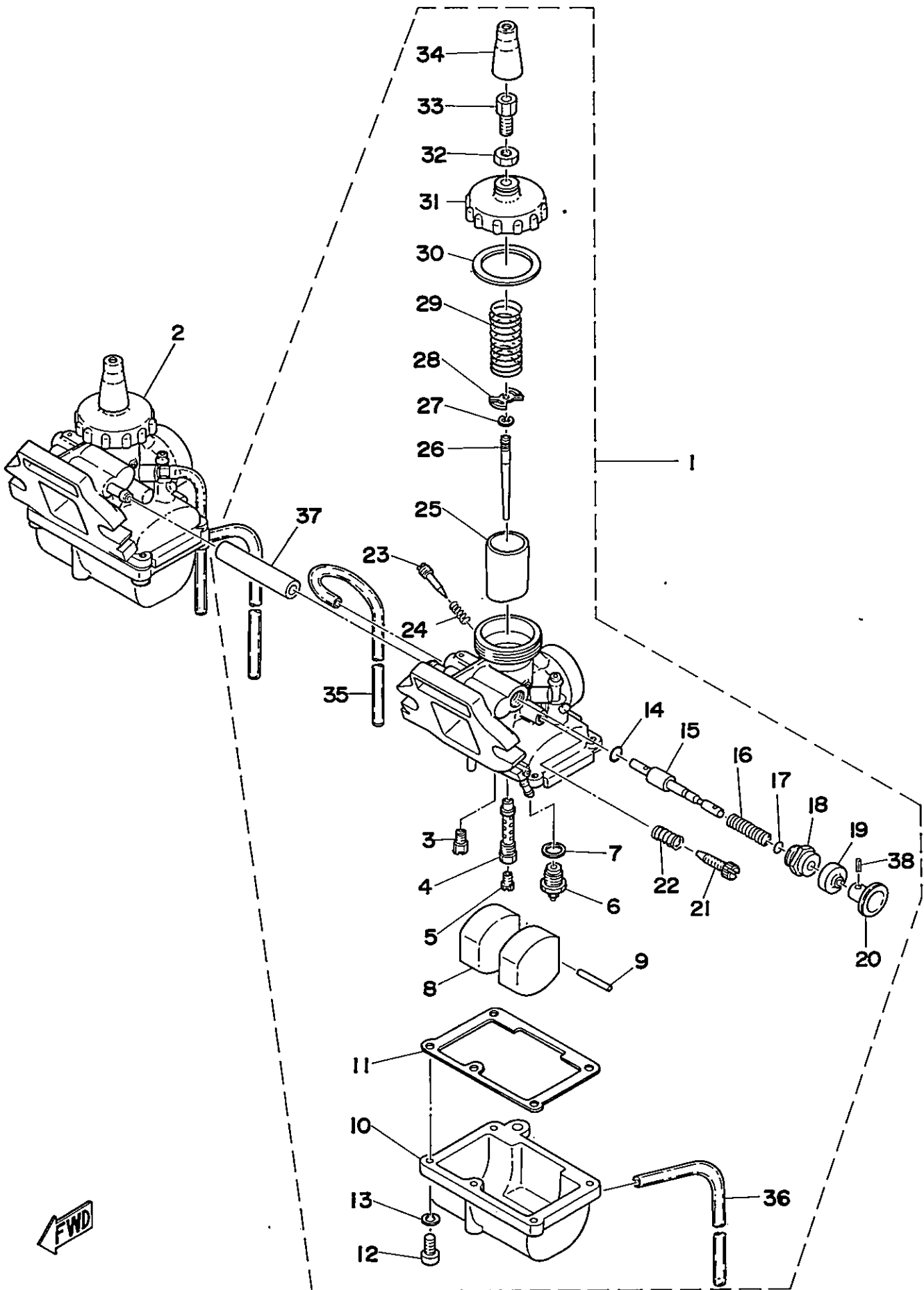
Ref. No.	Parts No.	Description	Q'ty	Applicable Machine No.	Remarks
9- 1	397-14411-00	CASE, air cleaner	1		
2	396-14451-01	ELEMENT, air cleaner	2		
3	389-14412-01	CAP, cleaner case left	1		
4	397-14422-00	CAP, cleaner case right	1		
5	90202-05057	WASHER, plate	2		
6	92901-06200	WASHER, plain	2		
7	92501-06010	SCREW, panhead	2		
8	92501-06080	SCREW, panhead	1		
9	92901-06100	WASHER, spring	2		
10	92501-06070	SCREW, panhead	1		
11	389-14453-00	JOINT, air cleaner left	1		
12	389-14463-00	JOINT, air cleaner right	1		
13	90460-49058	BAND (278-14455-00)	2		
14	90460-37026	BAND (396-14456-00)	2		
15	389-13610-01	REED VALVE ASS'Y	2		
16	389-13613-00	. REED VALVE	4		
17	389-13616-01	. STOPPER, reed valve	4		
18	98512-03008	. SCREW, panhead	8		
19	92901-03100	. WASHER, spring	8		
20	389-13621-00	PACKING, valve seat	4		
21	389-13555-00	JOINT	2		
22	389-13622-00	PACKING, carburetor	2		
23	92706-06025	SCREW, flathead	8		
24	91316-08040	BOLT	4		
25	92906-08100	WASHER, spring	4		
26	92906-08200	WASHER, plain	4		

Fig. 10 CARBURETOR



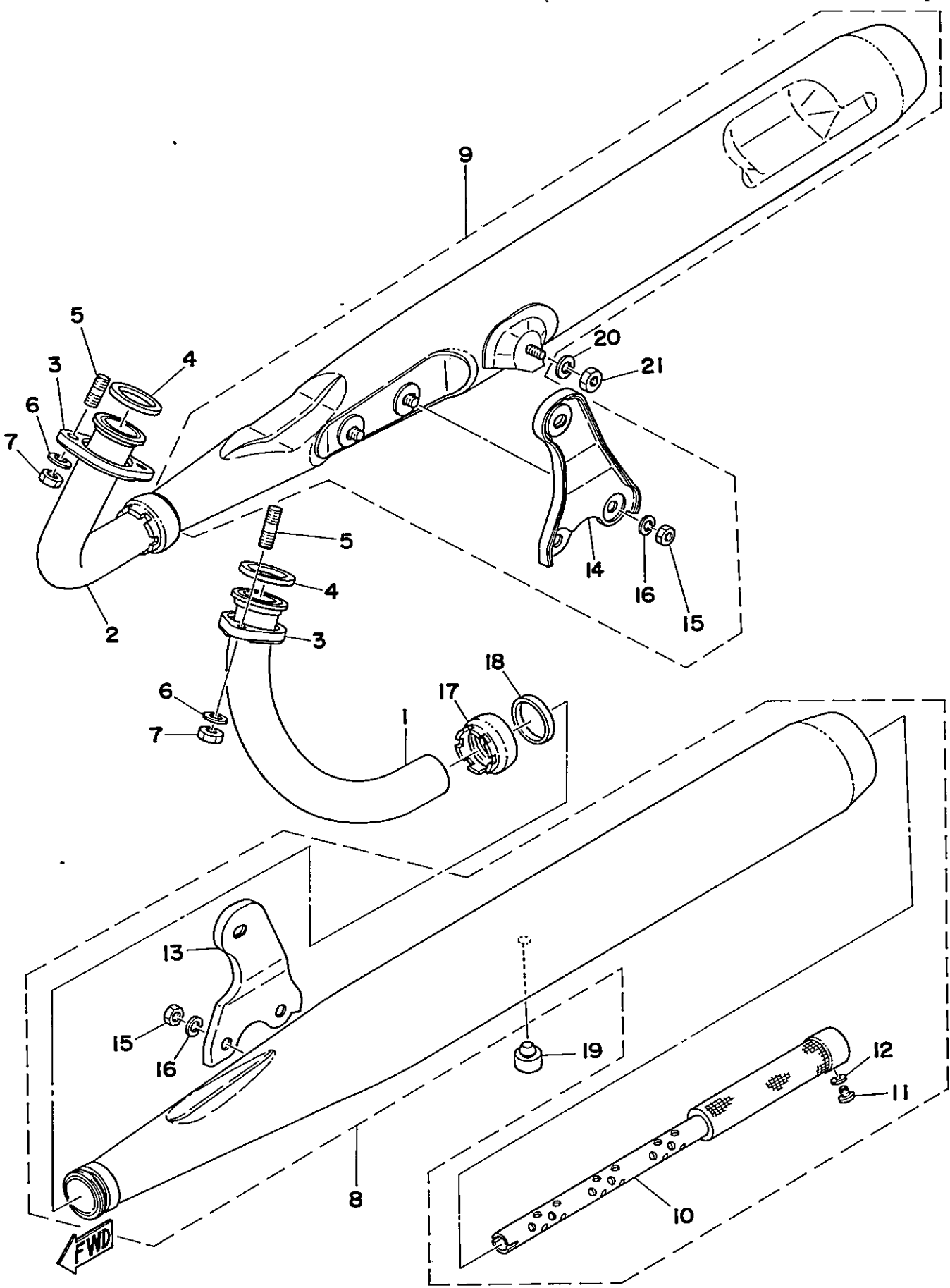
Ref. No.	Parts No.	Description	Q'ty	Applicable Machine No.	Remarks
10- 1	507-14301-60	CARBURETOR ASS'Y, left	1		
2	507-14302-60	CARBURETOR ASS'Y, right	1		
3	367-14342-22	. JET, pilot (#44)	2		
4	396-14341-00	. NOZZLE, main (N-80)	2		
5	396-14343-46	. JET, main (#92)	2		
6	396-14390-16	. VALVE SEAT ASS'Y	2		
7	367-14195-00	. WASHER, valve seat	2		
8	367-14385-00	. FLOAT	2		
9	367-14386-00	. PIN, float	2		
10	397-14181-00-33	. BODY, float chamber	1		
	397-14183-00-33	. BODY, float chamber	1		
11	389-14384-00	. GASKET, float chamber	2		
12	98501-04010	. SCREW, panhead	8		
13	92901-04100	. WASHER, spring	8		
14	389-14147-00	. O-RING	1		
15	396-14371-00	. PLUNGER, starter	1		
16	389-14335-00	. SPRING, plunger	1		
17	389-14138-00	. PIN, snap	1		
18	396-14374-00	. CAP, plunger	1		
19	389-14373-00	. COVER, plunger cap	1		
20	389-14261-01	. KNOB, starter	1		
21	396-14211-00	. SCREW, pilot adjusting	2		
22	389-14212-00	. SPRING, pilot adjusting	2		
23	396-14323-00	. SCREW, air adjusting	2		
24	389-14333-00	. SPRING, air adjusting	2		
25	396-14312-20	. VALVE, throttle left	1		
	396-14313-20	. VALVE, throttle right	1		
26	396-14336-00	. NEEDLE (4D50-2)	2		
27	389-14137-00	. CLIP, needle	2		
28	396-14136-00	. SEAT, spring	2		
29	396-14331-00	. SPRING, throttle valve	2		
30	389-14126-00	. PACKING	2		

Fig. 10 CARBURETOR



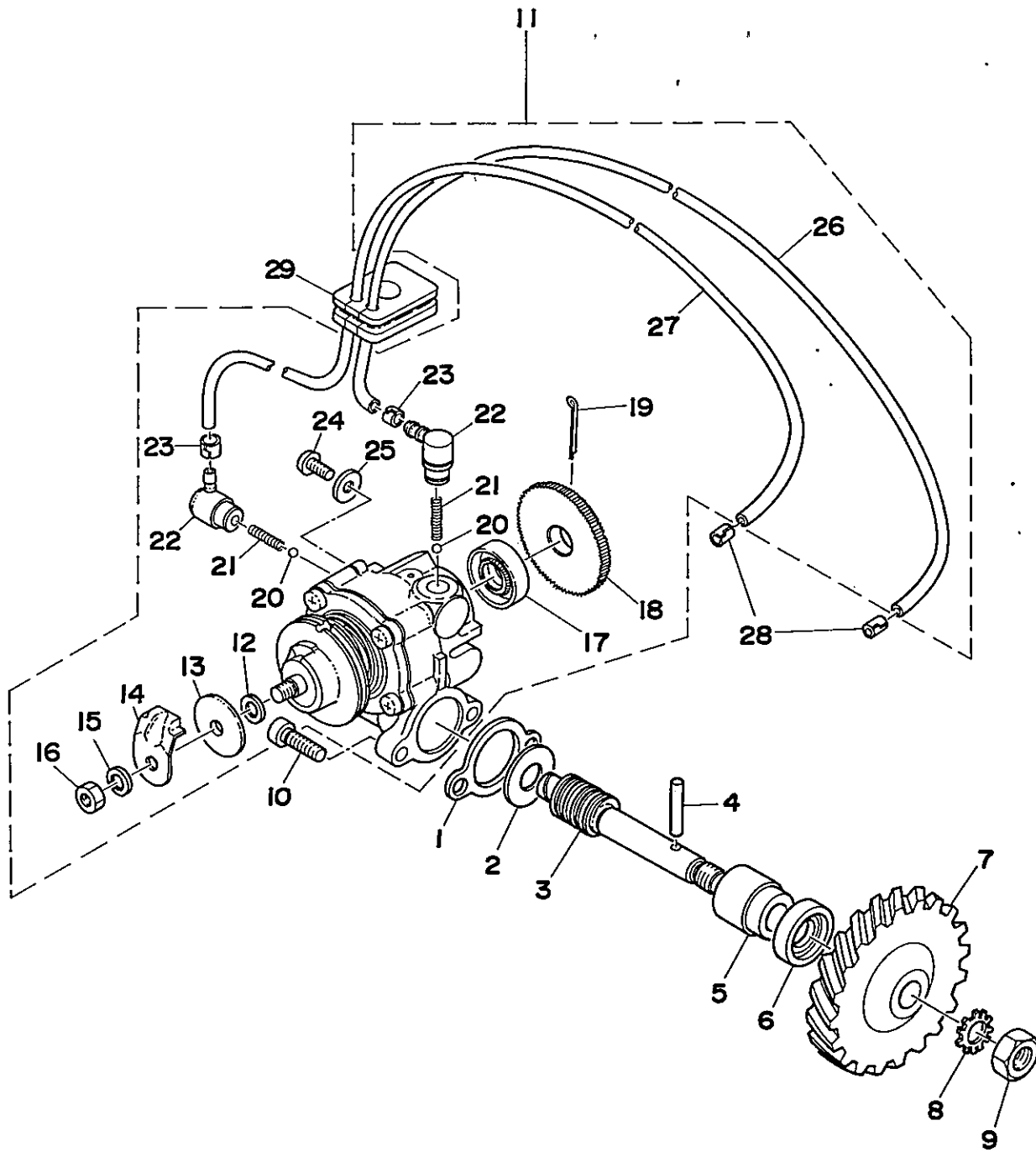
Ref. No.	Parts No.	Description	Q'ty	Applicable Machine No.	Remarks
10-31	389-14168-00-33	. CAP, mixing chamber	2		
32	288-14161-00	. NUT, wire adjusting	2		
33	396-14124-00	. SCREW, wire adjusting	2		
34	367-14169-00	. CAP	2		
35	396-14348-00	. PIPE (3-220)	2		
36	389-14396-00	. PIPE (3-160)	2		
37	389-14349-00	. PIPE (5-47)	1		
38	91690-20008	. PIN, spring	1		

Fig. 11 EXHAUST



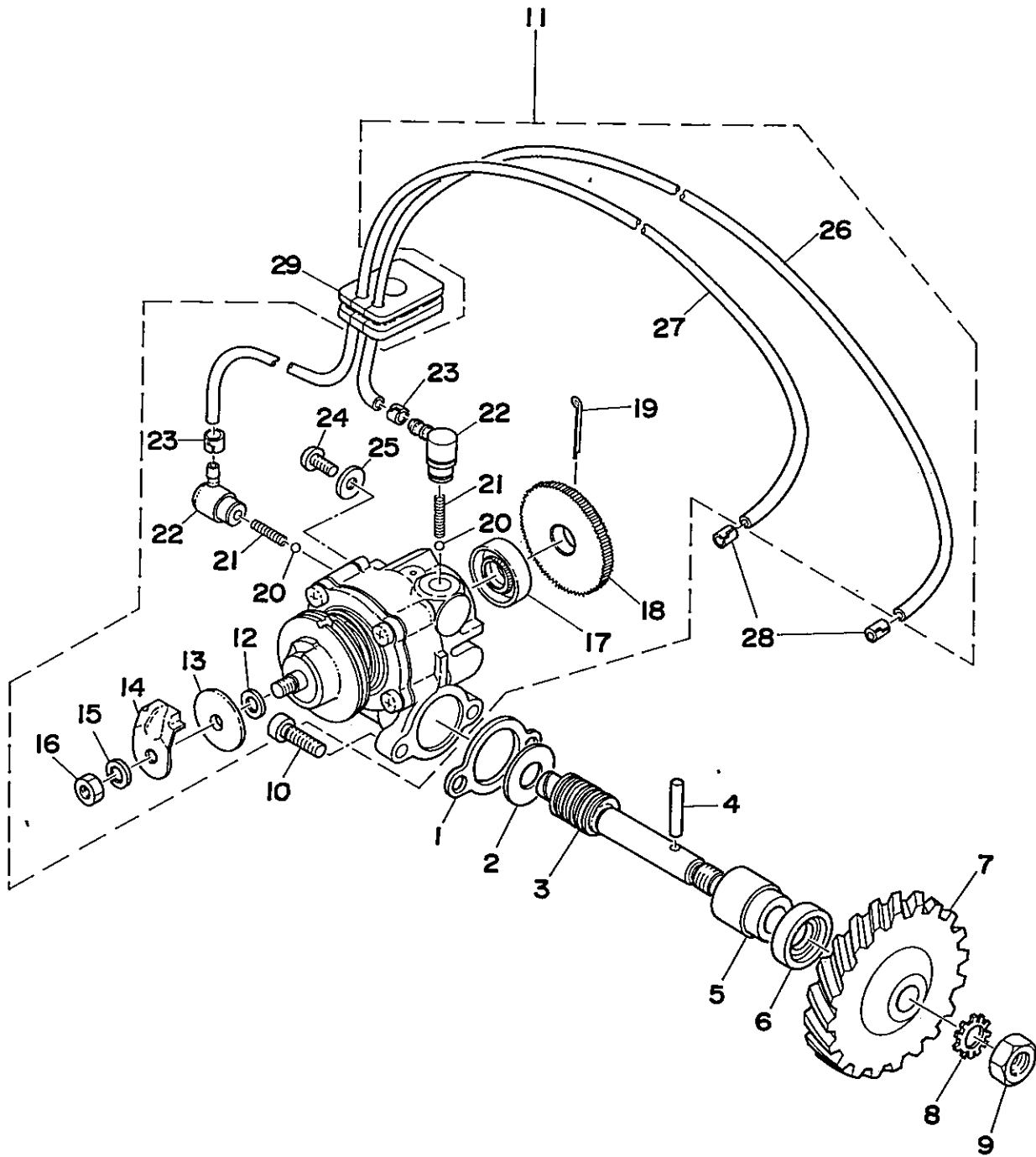
Ref. No.	Parts No.	Description	Q'ty	Applicable Machine No.	Remarks
11- 1	396-14611-00	PIPE, exhaust left	1		
2	396-14621-00	PIPE, exhaust right	1		
3	307-14612-00	NUT, ring	2		
4	132-14613-00	GASKET, exhaust pipe	2		
5	90116-08043	STUD (246-14651-00)	4		
6	92901-08100	WASHER, spring	4		
7	95301-08600	NUT, hexagon	4		
8	466-14710-00	MUFFLER, left	1		
9	466-14720-00	MUFFLER, right	1		
10	307-14753-00	. SILENCER	2		
11	98501-05010	. SCREW, panhead	2		
12	92901-05100	. WASHER, spring	2		
13	396-14771-00	. STAY, muffler left	1		
14	396-14781-00	. STAY, muffler right	1		
15	95301-08600	. NUT, hexagon	4		
16	92901-08100	. WASHER, spring	4		
17	132-14713-00	NUT, muffler joint	2		
18	132-14714-01	GASKET, muffler joint	2		
19	102-27114-00	STOPPER, main stand	1		
20	92901-08100	WASHER, spring	2		
21	95301-08600	NUT, hexagon	2		

Fig. 12 OIL PUMP



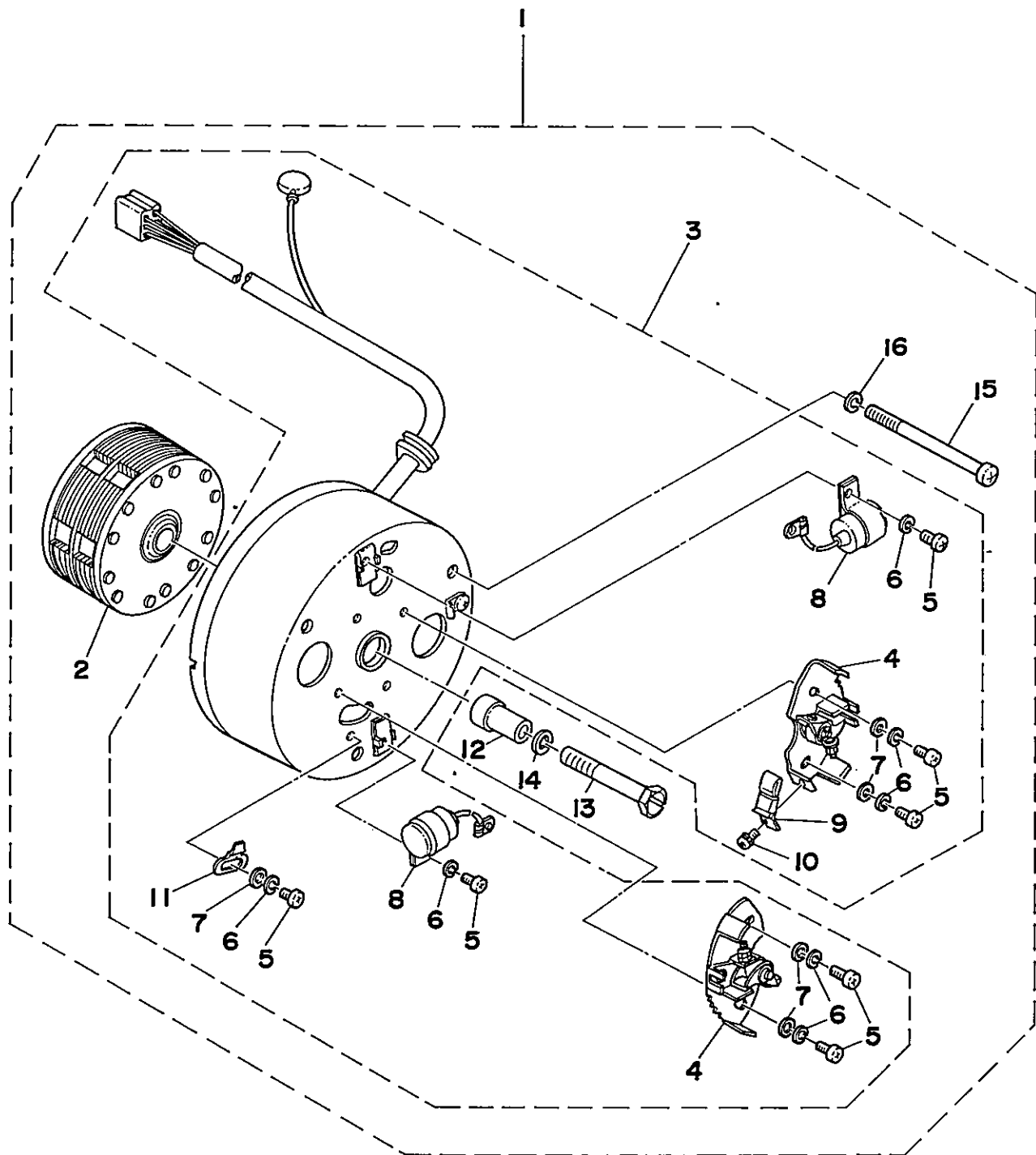
Ref. No.	Parts No.	Description	Qty	Applicable Machine No.	Remarks
12- 1	126-13116-00	GASKET, pump case	1		
2	256-17837-00	SHIM	1		
3	174-13175-00	SHAFT, worm	1		
4	93603-22028	PIN, dowel (3-21.8)	1		
5	137-13176-00	METAL, worm shaft outer	1		
6	93101-10002	OIL SEAL (S-10-22-7)	1		
7	132-13178-01	GEAR, drive (34T)	1		
8	92901-08400	WASHER, tooth	1		
9	95301-08700	NUT, hexagon	1		
10	98501-05015	SCREW, panhead	2		
11	416-13101-00	OIL PUMP ASS'Y	1		
12	137-13137-00-03	. SHIM (5.8-10-0.3)	}	U.R 1	
	137-13137-00-05	. SHIM (5.8-10-0.5)			
	137-13137-00-10	. SHIM (5.8-10-1.0)			
	137-13137-00-30	. SHIM (5.8-10-3.0)			
	137-13137-00-50	. SHIM (5.8-10-5.0)			
13	137-13138-01	. PLATE, adjusting	1		
14	402-13146-00	. COVER	1		
15	92901-05100	. WASHER, spring	1		
16	95301-05600	. NUT	1		
17	93101-10001	. OIL SEAL (S-10-21-5)	1		
18	137-13128-00	. PLATE, starter	1		
19	91401-12018	. PIN, cotter	1		
20	93505-32002	. BALL (5/32 inch)	2		
21	90501-02018	. SPRING (278-13169-00)	2		
22	353-13552-01	. NOZZLE	2		
23	90468-02033	. CLIP (214-13164-00)	2		
24	98901-04008	. SCREW, bind	1		
25	90430-04004	. GASKET (137-13187-00)	1		
26	278-13161-00	. PIPE, delivery (3-420)	1		

Fig. 12 OIL PUMP

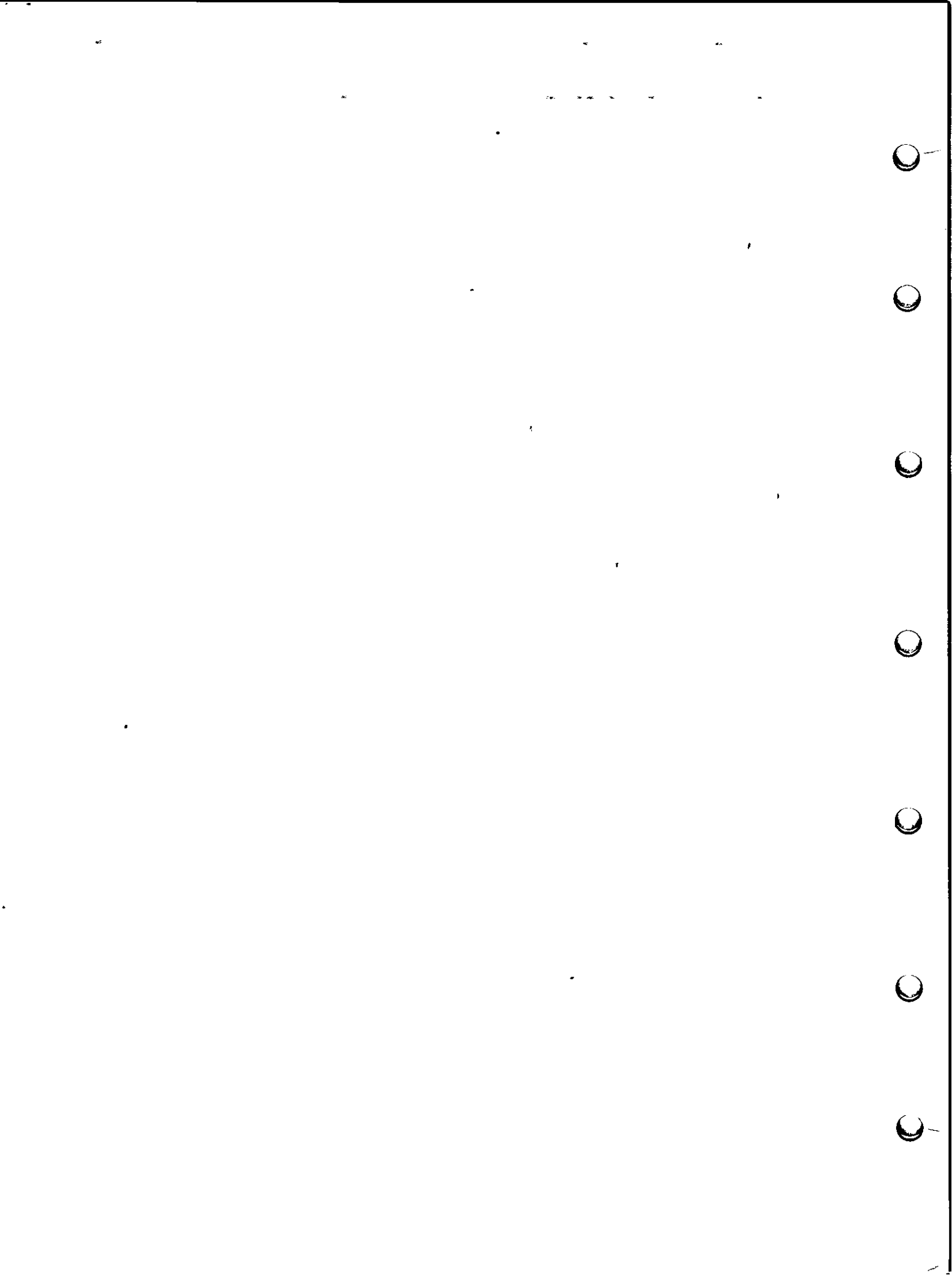


Ref. No.	Parts No.	Description	Q'ty	Applicable Machine, No.	Remarks
12-27	90445-05217	. PIPE (353-13161-00 3-240)	1		
28	90468-02033	CLIP (214-13164-00)	2		
29	293-13174-00	HOLDER, oil pipe	1		

Fig. 13 A.C.GENERATOR



Ref. No.	Parts No.	Description	Q'ty	Applicable Machine No.	Remarks
13- 1	307-81400-10	A. C. GENERATOR ASS'Y	1		
2	307-81450-10	. ROTOR ASS'Y	1		
3	307-81410-10	. STATOR ASS'Y	1		
4	183-81421-10	. . CONTACT BREAKER ASS'Y	2		
5	164-81246-21	. . SCREW, panhead	7		
6	92901-04100	. . WASHER, spring	7		
7	92901-04200	. . WASHER, plain	5		
8	183-81425-10	. . CONDENSER	2		
9	183-81431-10	. . LUBRICATOR	1		
10	110-81345-21	. . SCREW, panhead	1		
11	183-81432-10	. . PLATE, timing	1		
12	183-81451-12	. CAM	1		
13	90143-07022	. BOLT (307-81452-00)	1		
14	92901-08100	. WASHER, spring	1		
15	92501-06075	. SCREW, panhead	3		
16	92901-06100	. WASHER, spring	3		



CHASSIS



Fig. 14 FRAME

