

**YAMAHA**

**PARTS LIST**

**MODEL TY250A**

YAMAHA

PARTS LIST

MODEL 125



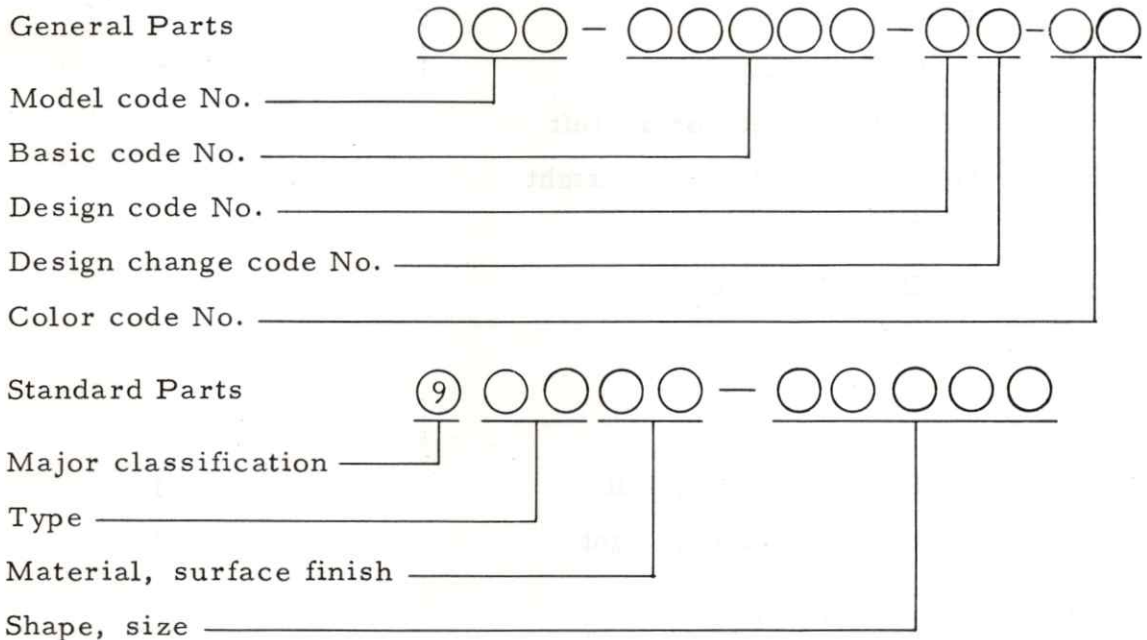


# FOREWORD

This Parts List relates to the parts in use for the Yamaha TY250A. When you are ordering replacement parts for the TY250A, refer to this Parts List and quote both part numbers and part names correctly.

## 1. Structure of Part No.

Yamaha parts are divided largely into two categories; general parts and standard parts, and each part No. has the following structure:



Note: Every standard No. begins with 9.

## 2. How to Use this Parts List

(1) Except for steel balls (whose size is indicated in inches), the size of all parts is indicated in millimeters in the following manner.

Pipe (rubber or vinyl) . . . . Inside diameter - length

O-ring . . . . . Section area - inside diameter

Washer, shim, collar . . . . Inside diameter - outside diameter - thickness (length)

(2) Parts, which are to be supplied in the form of assemblies, are listed with an indentation of one letter's space, and a dot (.) is put

against the name of each part. If any two different assemblies (e.g., right and left side components) consist of almost the same type components, these two assemblies are listed in two lines, and then the names of component parts are listed in the subsequent lines with an indentation as mentioned earlier. The quantity of parts is given in the following manner; that is, in the case of parts being the same in type between the right and left, a total quantity of parts is given. On the other hand, if the right and left side parts are different in type, the quantity of part(s) on each side is given.

Example

Description	Q'ty
CARBURETOR ASS'Y, left	1
CARBURETOR ASS'Y, right	1
. JET, pilot	2
. NOZZLE, main	2
.	
.	
.	
. LEVER, starter, left	1
. LEVER, starter, right	1

(3) Key to Symbols

- U. R. . . . . Use size (thickness) and/or number as required
- U. N. . . . . Use as many as you need
- T . . . . . Number of teeth in a gear
- V . . . . . Voltage for light bulbs
- S . . . . . "S" type oil seal or "S" type circlip
- SD . . . . . "SD" type oil seal
- SO . . . . . "SO" type oil seal
- SW . . . . . "SW" type oil seal
- E . . . . . "E" type circlip
- R . . . . . "R" type circlip
- F/No. . . . . Frame No. (Applicable machine No.)

- (4) The right and left in relation to parts are determined on the basis of the rider facing toward the front.
- (5) This Parts List is based on the model in the production line on Jun., 15, 1973. Accordingly, if any modifications which have been made to parts will be announced in the Yamaha Parts News. It is advisable that according to the Yamaha Parts News, You will make necessary corrections to the Parts List on hand to keep it up-to dated.



The right side of the relation in parts are also contained on the

parts of the other facing page of the front

This part is based on the model in the ...

June, 1975. Accordingly, every model ...

been made to parts will be included in the ...

It is advised that according to the Yarn ...

and in order to carry out the ...

that is up-to-date.



# CONTENTS

## ENGINE

Fig. 1	Cylinder Head . Cylinder	1
Fig. 2	Crankcase	3
Fig. 3	Crankcase Cover	5
Fig. 4	Crank . Piston	7
Fig. 5	Clutch	11
Fig. 6	Transmission	15
Fig. 7	Shifter 1	19
Fig. 8	Shifter 2	21
Fig. 9	Kick Starter	23
Fig. 10	Intake	25
Fig. 11	Carburetor	27
Fig. 12	Exhaust	31
Fig. 13	Oil Pump	35
Fig. 14	Flywheel Magneto	39

## CHASSIS

Fig. 15	Frame . Side Cover	43
Fig. 16	Rear Arm . Rear Cushion . Chain Case	45
Fig. 17	Stand . Footrest . Brake Pedal	49
Fig. 18	Front Fender . Rear Fender	51
Fig. 19	Front Fork	53
Fig. 20	Steering	57
Fig. 21	Handle . Wire	59
Fig. 22	Fuel Tank	63
Fig. 23	Oil Tank	65
Fig. 24	Seat	67
Fig. 25	Front Wheel	69

Fig. 26	Rear Wheel .....	73
Fig. 27	Head Lamp .....	77
Fig. 28	Tail Lamp .....	79
Fig. 29	Electrical .....	81

**ALTERNATE PARTS**

Fig. 30	Speedometer .....	85
---------	-------------------	----

**NUMERICAL INDEX**

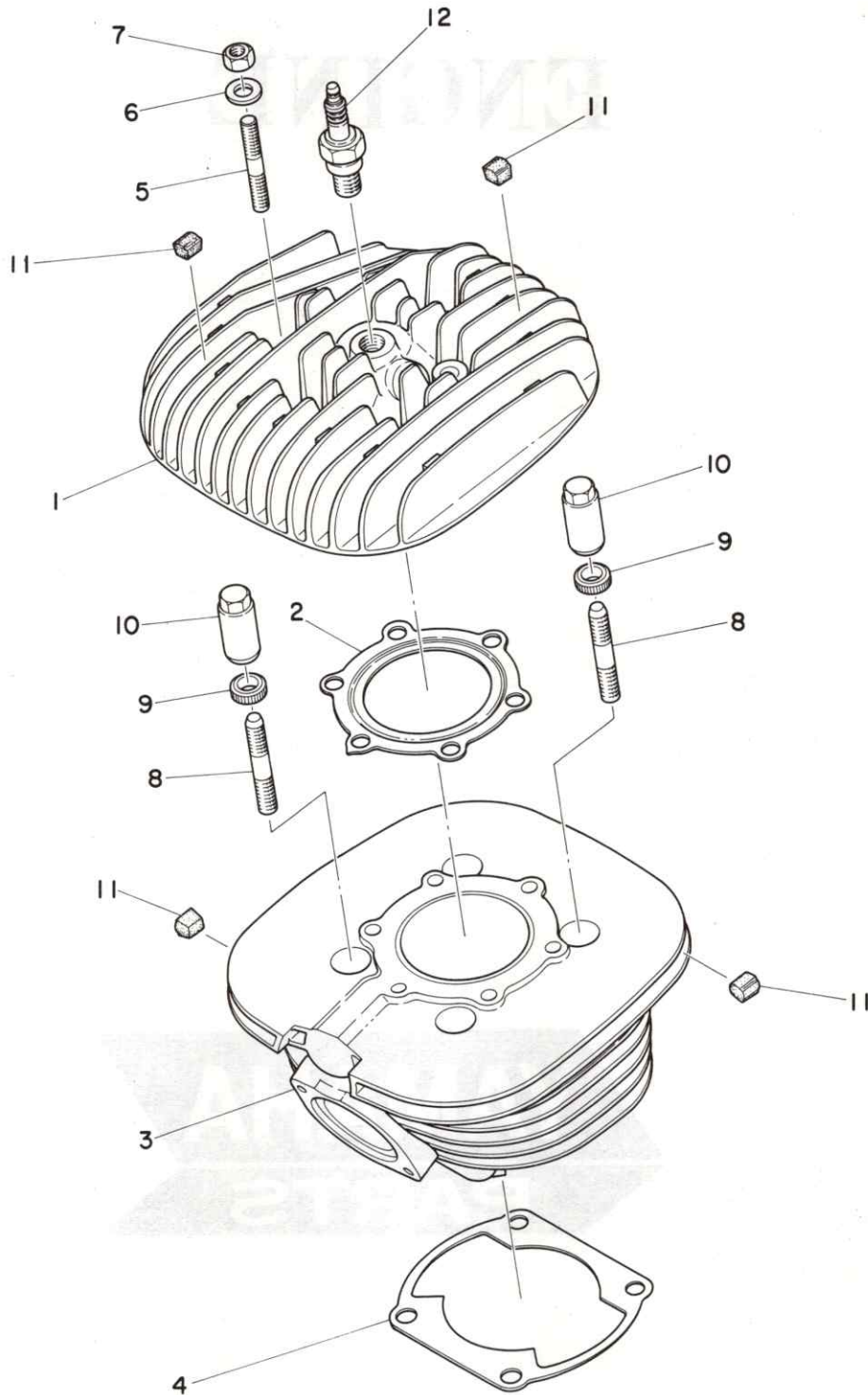
*(The following section contains a numerical index of parts, which is extremely faint and largely illegible due to bleed-through from the reverse side of the page. It appears to be organized into sections such as 'CHASSIS' and 'ENGINE'.)*

15

# ENGINE



Fig. 1 CYLINDER HEAD · CYLINDER

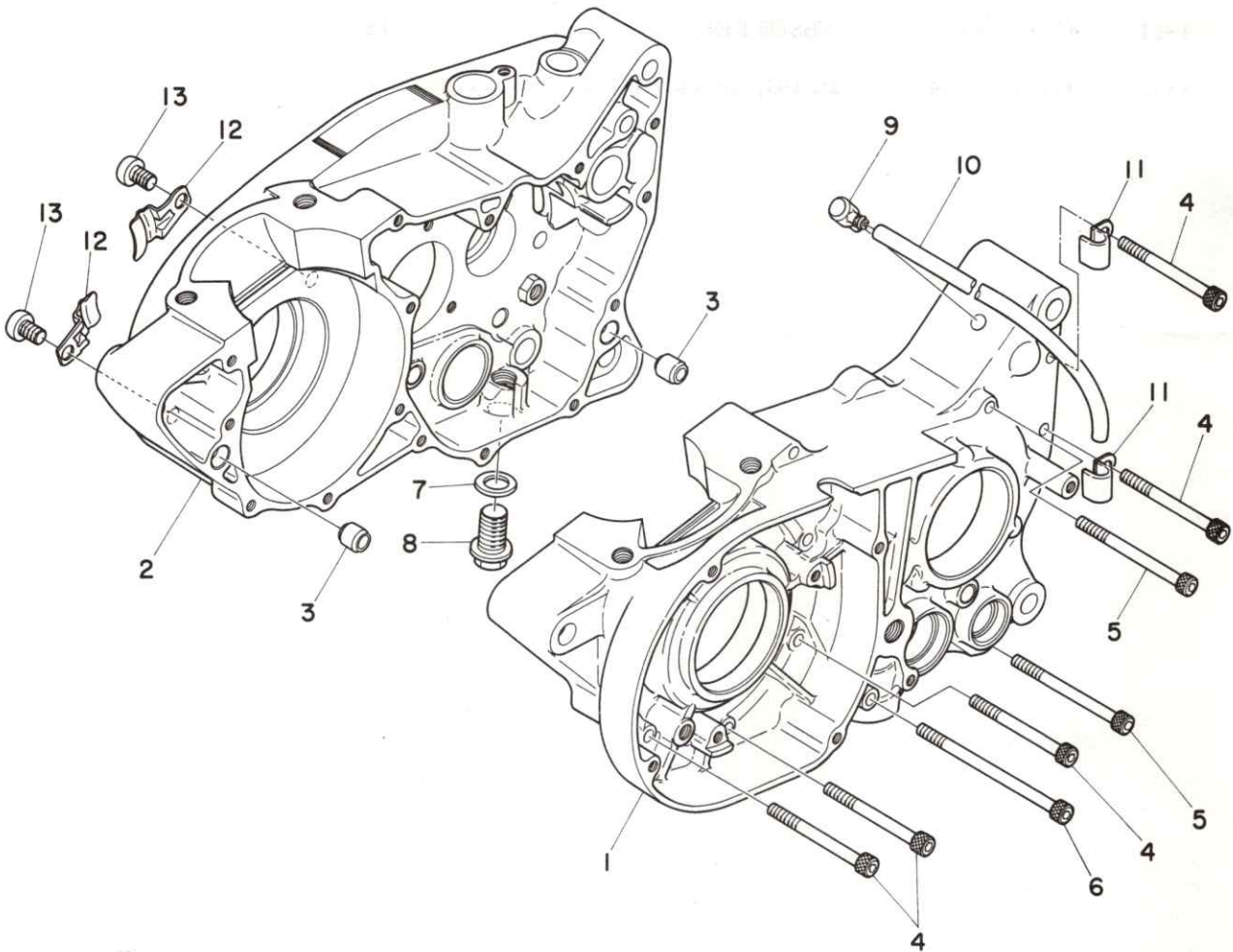
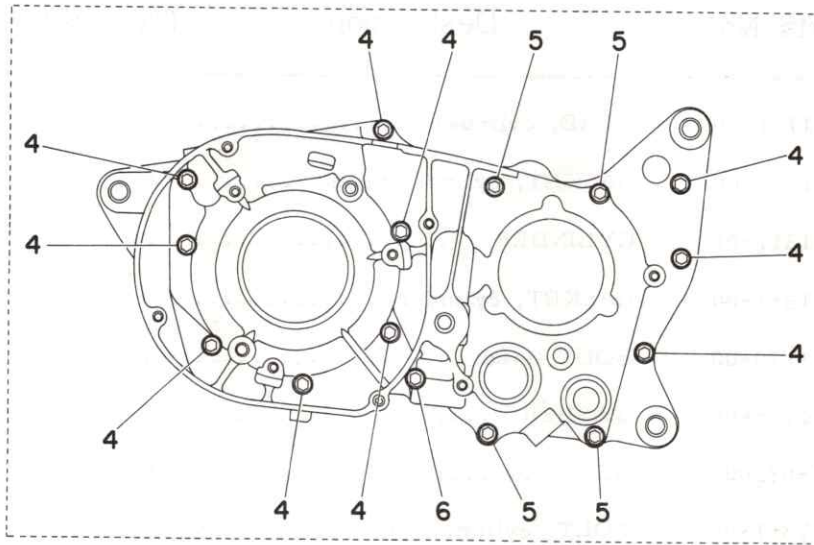


# CYLINDER HEAD · CYLINDER

Ref. No.	Parts No.	Description	Q'ty	Applicable Machine No.	Remarks
1- 1	434-11111-00	HEAD, cylinder .....	1		
1- 2	434-11181-00	GASKET, cylinder head .....	1		
1- 3	434-11311-01	CYLINDER .....	1		
1- 4	364-11351-00	GASKET, cylinder .....	1		
1- 5	363-11179-00	BOLT, stud .....	6		
1- 6	812-11175-00	WASHER .....	6		
1- 7	98801-08200	NUT .....	6		
1- 8	363-11361-00	BOLT, cylinder holding 1 ....	4		
1- 9	363-11175-00	WASHER, holding .....	4		
1-10	434-11171-00	NUT, holding .....	4		
1-11	434-11161-00	ABSORBER .....	18		
1-12	94701-00044	PLUG, spark (B-7ES) .....	1		



Fig. 2 CRANKCASE



# CRANKCASE

Ref. No.	Parts No.	Description	Q'ty	Applicable Machine No.	Remarks
2- 1	434-15111-01	CASE, crank left .....	1		
2- 2	434-15121-01	CASE, crank right .....	1		
2- 3	91810-05016	PIN, dowel (8.4-12-16) .....	2		
2- 4	91316-06065	BOLT .....	10		
2- 5	91316-06075	BOLT .....	4		
2- 6	91316-06100	BOLT .....	1		
2- 7	137-15353-00	GASKET, drain plug .....	1		
2- 8	431-15351-00	PLUG, drain .....	1		
2- 9	120-15371-00	BREATHER .....	1		
2-10	248-15373-00	PIPE, breather (5-200) .....	1		
2-11	363-15485-01	CLAMP .....	2		
2-12	434-15118-00	HOLDER .....	2		
2-13	92501-08012	SCREW, panhead .....	2		